



MATRIX 210™



Reference Manual



Datalogic Automation S.r.l.
Via Lavino, 265
40050 - Monte S. Pietro
Bologna - Italy

Matrix 210™ Reference Manual

Ed.: 04/2011

© 2011 Datalogic Automation S.r.l. ♦ ALL RIGHTS RESERVED. ♦ Protected to the fullest extent under U.S. and international laws. Copying, or altering of this document is prohibited without express written consent from Datalogic Automation S.r.l.

Datalogic and the Datalogic logo are registered trademarks of Datalogic S.p.A. in many countries, including the U.S.A. and the E.U.

Matrix 210, ID-NET, VisiSet and X-PRESS are trademarks of Datalogic Automation S.r.l. All other brand and product names mentioned herein are for identification purposes only and may be trademarks or registered trademarks of their respective owners.

Datalogic shall not be liable for technical or editorial errors or omissions contained herein, nor for incidental or consequential damages resulting from the use of this material.

21/04/11

CONTENTS

REFERENCES	vi
Conventions	vi
Reference Documentation	vi
Service and Support	vi
Patents.....	vi
COMPLIANCE	vii
EMC Compliance.....	vii
Power Supply.....	vii
LED Class.....	vii
CE Compliance.....	vii
FCC Compliance	vii
HANDLING	viii
GENERAL VIEW	x
1 RAPID CONFIGURATION	1
Step 1 – Connect the System	1
Step 2 – Mount and Position the Reader	6
Step 3 – Aim the Reader	7
Step 4 – X-PRESS™ Configuration.....	8
Reset Reader to Factory Default (Optional)	9
Step 5 – Installing VisiSet™ Configuration Program	10
Step 6 – Configuration Using Setup Wizard	11
Step 7 – Test Mode	14
Advanced Reader Configuration.....	15
2 INTRODUCTION	16
2.1 Product Description	16
2.2 Indicators and Keypad Button.....	19
2.3 ID-NET™	20
2.3.1 How To Setup/Configure the Reader Network	21
2.3.2 ID-NET™ Slave Management Through Master.....	23
2.4 CBX Backup and Restore Through VisiSet™.....	24
2.5 X-PRESS™ Human Machine Interface	29
2.5.1 X-PRESS™ Functions.....	29
2.6 Model Description	31
2.7 Accessories	32
2.8 Application Examples	32
3 INSTALLATION	35
3.1 Package Contents	35
3.2 Mechanical Dimensions.....	36
3.3 Mounting and Positioning Matrix 210™	38
4 CBX ELECTRICAL CONNECTIONS	40
4.1 Power Supply.....	41
4.2 Main Serial Interface.....	41
4.2.1 RS232 Interface.....	42
4.2.2 RS485 Full-Duplex Interface.....	43
4.2.3 RS485 Half-Duplex Interface	44

4.3	ID-NET™ Interface	46
4.3.1	ID-NET™ Cables	46
4.3.2	ID-NET™ Response Time	47
4.3.3	ID-NET™ Network Termination	51
4.4	Auxiliary RS232 Interface	51
4.5	Inputs	52
4.6	Outputs	55
4.7	User Interface - Host.....	57
5	25-PIN CABLE ELECTRICAL CONNECTIONS.....	58
5.1	25-Pin Connector	58
5.2	M12-D 4-Pin Connector (Ethernet)	59
5.3	Power Supply.....	60
5.4	Main Serial Interface.....	60
5.4.1	RS232 Interface.....	61
5.4.2	RS485 Full-Duplex Interface.....	62
5.4.3	RS485 Half-Duplex Interface	63
5.5	ID-NET™ Interface	65
5.5.1	ID-NET™ Cables	65
5.5.2	ID-NET™ Response Time	66
5.5.3	ID-NET™ Network Termination.....	70
5.6	Auxiliary RS232 Interface	70
5.7	Ethernet Interface (Matrix 210 21x-x1x models only)	71
5.8	Inputs	72
5.9	Outputs	75
5.10	User Interface	77
6	TYPICAL LAYOUTS	78
6.1	Point-to-Point	78
6.2	Pass-Through	81
6.2.1	Pass-Through on RS232	81
6.2.2	Pass-Through on ID-NET™	82
6.3	ID-NET™	83
6.4	RS232 Master/Slave.....	89
6.5	Multiplexer	90
6.6	Ethernet Connection	91
6.7	USB Connection	93
7	READING FEATURES.....	94
7.1	Maximum Line Speed Calculation	95
8	SOFTWARE CONFIGURATION.....	97
8.1	VisiSet™ System Requirements.....	97
8.2	Installing VisiSet™	97
8.3	Startup	98
8.3.1	VisiSet™ Options.....	99
8.4	Configuration	101
8.4.1	Edit Reader Parameters	102
8.4.2	Send Configuration Options.....	104
8.4.3	Calibration.....	108
8.4.4	Multi Image Acquisition Settings.....	112
8.4.5	Run Time Self Tuning (RTST)	112
8.4.6	Region Of Interest Windowing.....	113
8.4.7	Direct Part Marking Applications.....	114
8.5	Image Capture and Decoding.....	116

8.6	Statistics	116
9	MAINTENANCE	117
9.1	Cleaning.....	117
10	TROUBLESHOOTING	118
10.1	General Guidelines	118
11	TECHNICAL FEATURES.....	121
	GLOSSARY.....	123
	INDEX.....	126

REFERENCES

CONVENTIONS

This manual uses the following conventions:

"User" refers to anyone using a Matrix 210™ reader.

"Reader" refers to the Matrix 210™ reader.

"You" refers to the System Administrator or Technical Support person using this manual to install, configure, operate, maintain or troubleshoot a Matrix 210™ reader.

REFERENCE DOCUMENTATION

For further details refer to: the VisiSet™ Help On Line, Matrix Reading Methods, Matrix Host Mode Programming, Matrix SW Parameter Guide, Matrix Code Quality Verifier Solution provided as supplementary documentation on Mini-DVD.

SERVICE AND SUPPORT

Datalogic provides several services as well as technical support through its website. Log on to www.automation.datalogic.com and click on the [links](#) indicated for further information:

- **PRODUCTS**

Search through the links to arrive at your product page which describes specific Info, Features, Applications, Models, Accessories, and Downloads including the [VisiSet™](#) utility program, which allows device configuration using a PC. It provides RS232 and Ethernet interface configuration.

- **SERVICE**

- **Overview** - Warranty Extensions and Maintenance Agreements
- **Sales Network**- Listing of Subsidiaries, Repair Centers, Partners
- **Helpdesk**
- **Material Return Authorization**

PATENTS

This product is covered by one or more of the following patents:

U.S. patents: 6,512,218 B1; 6,616,039 B1; 6,808,114 B1; 6,997,385 B2; 7,102,116 B2; 7,282,688 B2

European patents: 999,514 B1; 1,014,292 B1; 1,128,315 B1.

Additional patents pending.

COMPLIANCE

For installation, use and maintenance it is not necessary to open the reader.

Only connect Ethernet and dataport connections to a network which has routing only within the plant or building and no routing outside the plant or building.

EMC COMPLIANCE

In order to meet the EMC requirements:

- connect reader chassis to the plant earth ground by means of a flat copper braid shorter than 100 mm;
- for CBX connections, connect the pin "Earth" to a good Earth Ground;
- for direct connections, connect the main interface cable shield to pin 1 of the 25-pin connector.

POWER SUPPLY

ATTENTION: READ THIS INFORMATION BEFORE INSTALLING THE PRODUCT

This product is intended to be installed by Qualified Personnel only.

This product is intended to be connected to a UL Listed Computer which supplies power directly to the reader or a UL Listed Direct Plug-in Power Unit marked LPS or "Class 2", rated 10 to 30 V, minimum 500 mA.

LED CLASS

Class 1 LED Product to EN60825-1:2001

CE COMPLIANCE

Warning: This is a Class A product. In a domestic environment this product may cause radio interference in which case the user may be required to take adequate measures.

FCC COMPLIANCE

Modifications or changes to this equipment without the expressed written approval of Datalogic could void the authority to use the equipment.

This device complies with PART 15 of the FCC Rules. Operation is subject to the following two conditions: (1) This device may not cause harmful interference, and (2) this device must accept any interference received, including interference which may cause undesired operation.

This equipment has been tested and found to comply with the limits for a Class A digital device, pursuant to part 15 of the FCC Rules. These limits are designed to provide reasonable protection against harmful interference when the equipment is operated in a commercial environment. This equipment generates, uses, and can radiate radio frequency energy and, if not installed and used in accordance with the instruction manual, may cause harmful interference to radio communications. Operation of this equipment in a residential area is likely to cause harmful interference in which case the user will be required to correct the interference at his own expense.

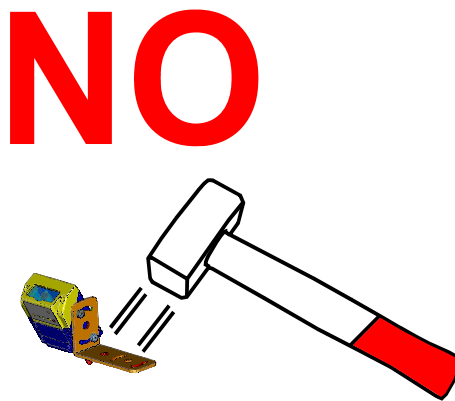
HANDLING

The Matrix 210™ is designed to be used in an industrial environment and is built to withstand vibration and shock when correctly installed, however it is also a precision product and therefore before and during installation it must be handled correctly to avoid damage.

- avoid that the readers are dropped (exceeding shock limits).

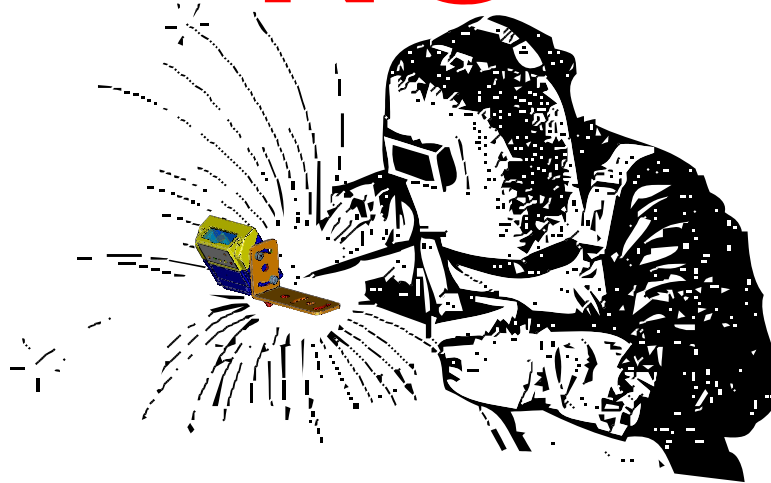


- do not fine tune the positioning by striking the reader or bracket.



- do not weld the reader into position which can cause electrostatic, heat or reading window damage.

NO



- do not spray paint near the reader which can cause reading window damage.

NO



GENERAL VIEW

Matrix 210™

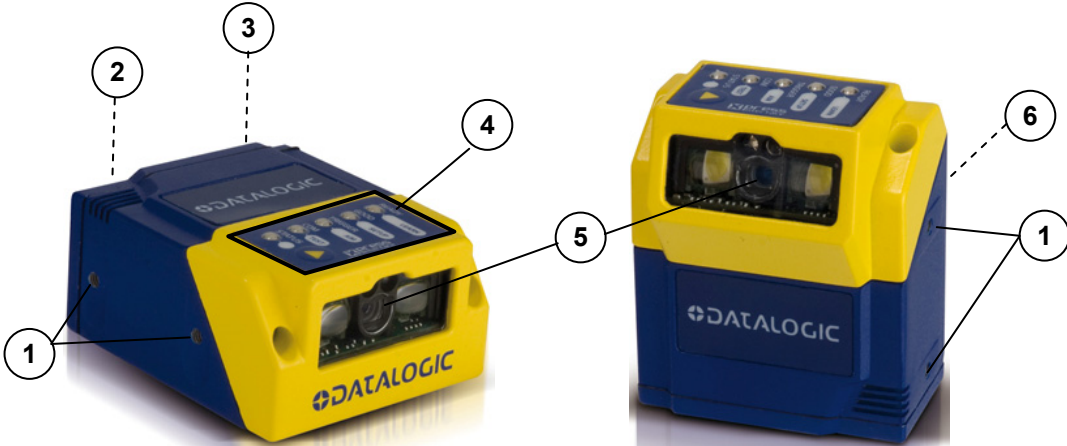


Figure A

- | | | |
|----------------------|---|-----------------------|
| ① Mounting Holes (4) | ③ Ethernet Network Presence LED (for Ethernet Models) | ⑤ Reading Window |
| ② "Power ON" LED | ④ HMI X-PRESS™ Interface | ⑥ Device Class Labels |

1 RAPID CONFIGURATION

STEP 1 – CONNECT THE SYSTEM

25-Pin Models

To connect the system in a Stand Alone configuration, you need the hardware indicated in Figure 1. In this layout the data is transmitted to the Host on the main serial interface. Data can also be transmitted on the RS232 auxiliary interface independently from the main interface selection.

When One Shot or Phase Mode Operating mode is used, the reader is activated by an External Trigger (photoelectric sensor) when the object enters its reading zone.

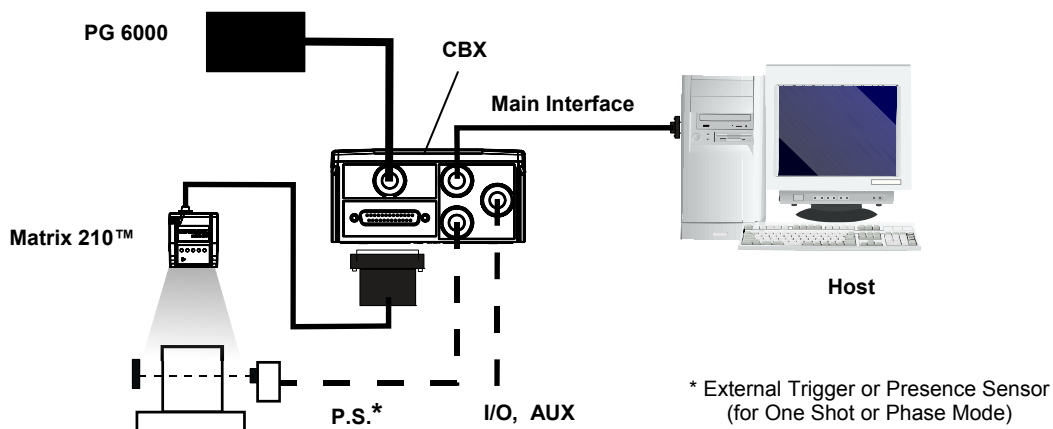


Figure 1 – Matrix 210™ in Stand Alone Layout

CBX100/CBX500 Pinout for Matrix 210™ 25-Pin Models

The table below gives the pinout of the CBX100/CBX500 terminal block connectors. Use this pinout when the Matrix 210™ reader is connected by means of the CBX100/CBX500:

CBX100/500 Terminal Block Connectors			
Input Power		Outputs	
Vdc	Power Supply Input Voltage +	+V	Power Source - Outputs
GND	Power Supply Input Voltage -	-V	Power Reference - Outputs
Earth	Protection Earth Ground	O1+	Output 1 +
		O1-	Output 1 -
Inputs		O2+	Output 2 +
+V	Power Source – External Trigger	O2-	Output 2 -
I1A	External Trigger A (polarity insensitive)	Auxiliary Interface	
I1B	External Trigger B (polarity insensitive)	TX	Auxiliary Interface TX
-V	Power Reference – External Trigger	RX	Auxiliary Interface RX
+V	Power Source – Inputs	SGND	Auxiliary Interface Reference
I2A	Input 2 A (polarity insensitive)	ID-NET™	
I2B	Input 2 B (polarity insensitive)	REF	Network Reference
-V	Power Reference – Inputs	ID+	ID-NET™ network +
Shield		ID-	ID-NET™ network -
Shield	Network Cable Shield		
Main Interface			
	RS232	RS485 Full-Duplex	RS485 Half-Duplex
	TX	TX+	RTX+
	RTS	TX-	RTX-
	RX	*RX+	
	CTS	*RX-	
	SGND	SGND	SGND

* Do not leave floating, see par. 4.2.2 for connection details.



CAUTION

Do not connect GND, SGND and REF to different (external) ground references. GND, SGND and REF are internally connected through filtering circuitry which can be permanently damaged if subjected to voltage drops over 0.8 Vdc.

25-Pin Connector Pinout for Matrix 210™ 25-Pin Models

The table below gives the pinout of the 25-pin male D-sub connector for connection to the power supply and input/output signals. Use this pinout when the Matrix 210™ reader is connected by means of the 25-pin connector:

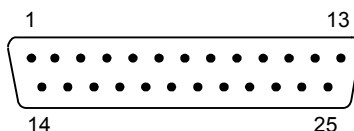


Figure 2 - 25-pin Male D-sub Connector

25-pin D-sub male connector pinout				
Pin	Name	Function		
13, 9	Vdc	Power supply input voltage +		
25, 7	GND	Power supply input voltage -		
1	CHASSIS	Cable shield connected to chassis		
18	I1A	External Trigger A (polarity insensitive)		
19	I1B	External Trigger B (polarity insensitive)		
6	I2A	Input 2 A (polarity insensitive)		
10	I2B	Input 2 B (polarity insensitive)		
8	O1+	Output 1 +		
22	O1-	Output 1 -		
11	O2+	Output 2 +		
12	O2-	Output 2 -		
20	RX	Auxiliary RS232 RX		
21	TX	Auxiliary RS232 TX		
23	ID+	ID-NET™ network +		
24	ID-	ID-NET™ network -		
14, 15, 16, 17	NC	Not Connected		
Pin	Name	RS232	RS485 Full-Duplex	RS485 Half-Duplex
2	MAIN INTERFACE (SW SELECTABLE)	TX	TX+	RTX+
3		RX	*RX+	
4		RTS	TX-	RTX-
5		CTS	*RX-	

* Do not leave floating, see par. 5.4.2 for connection details.

USB Models

**NOTE**

Before connecting the reader to the USB Port, Install the USB Virtual COM Port Driver from the Support Files\USB Virtual COM Port Drivers directory on the VisiSet Mini-DVD.

The USB Virtual COM Port Driver allows sending serial data using the Matrix 210™ USB port. A different virtual COM Port will be assigned to each connected reader.

Installing the USB Virtual COM port drivers:

1. Double-click on the following file to launch the USB Virtual COM Port Driver Installer.

Windows XP/Vista/7 (x32) = "DPInst.exe" Windows Vista/7 (x64) = "DPInst64.exe"

For other operating systems see the readme.txt in the Support Files\USB Virtual COM Port Drivers directory. For updated drivers or more details go to ftdichip.com/Drivers/VCP.htm.

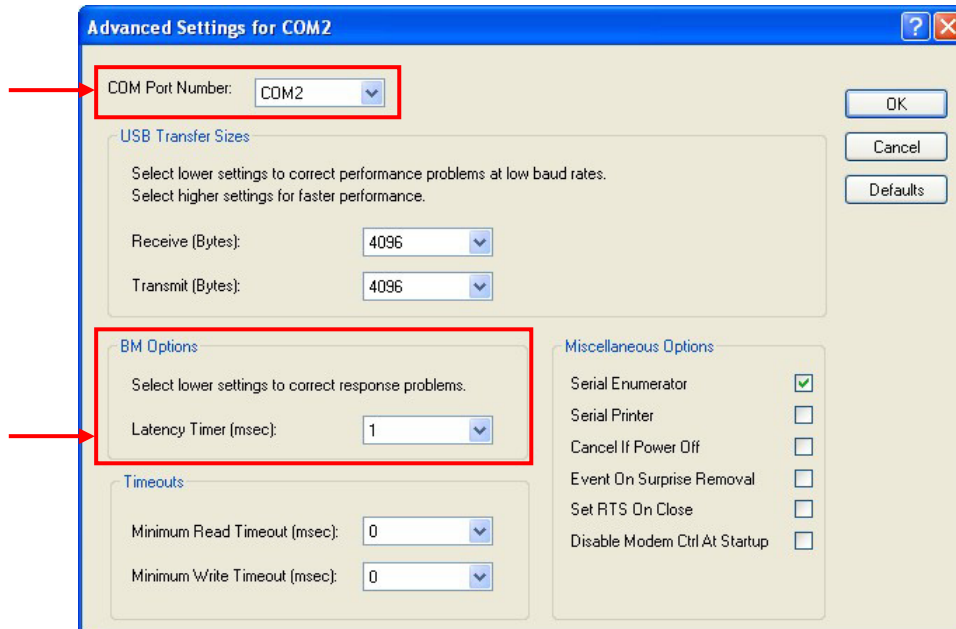
Configuring the USB Virtual COM port:

Connect the Matrix 210™ USB reader to your PC; a new virtual COM port is associated with the reader. Follow these steps to configure the associated COM Port:

2. Right-click on "My Computer" in the Windows "Start" menu and select "Properties".
3. Select the "Hardware" tab in the System Properties dialog and click the "Device Manager" button.
4. Expand the "Ports (COM & LPT)" item on the "Device Manager" menu. Right-click on "USB Serial Port" and select "Properties".
5. Select the "Port Settings" tab in the "Properties" dialog and click the "Advanced" button.

6. From the "Advanced Settings for COMx" dialog:

- Expand the "COM Port Number" menu and select a new COM Port number if desired (optional).
- Set the "BM Options" -> "Latency Timer" (msec) parameter to 1.



You are now ready to use the new COM Port.

Matrix 210™ USB models can be connected in a Point-to-Point layout to a local host through their USB cable. No external power supply is necessary.

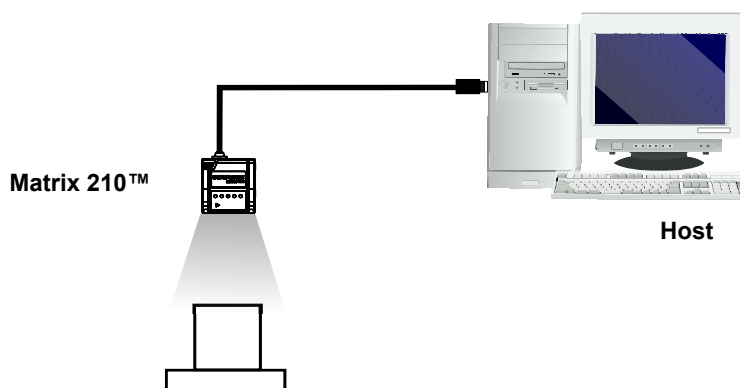


Figure 3 – Matrix 210™ USB Model in a Point-to-Point Layout

STEP 2 – MOUNT AND POSITION THE READER

1. To mount the Matrix 210™, use the mounting brackets to obtain the most suitable position for the reader. Two of the most common mounting configurations are shown in the figures below. Other mounting solutions are provided in par. 3.3.

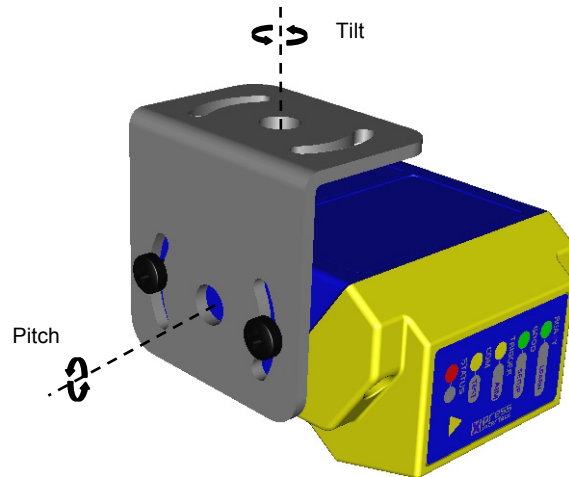


Figure 4 –Positioning 90° Model with Mounting Bracket

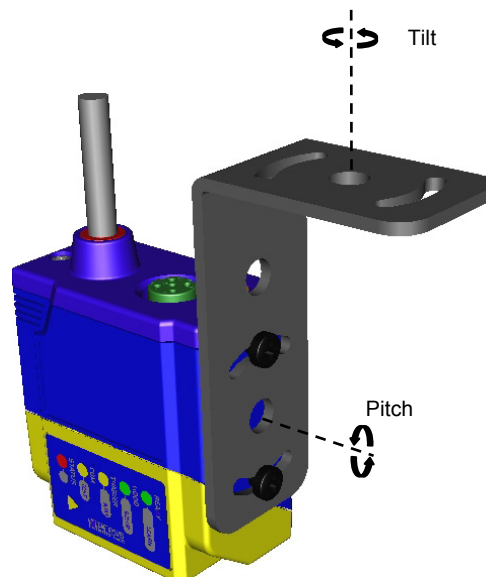


Figure 5 –Positioning Straight Model with Mounting Bracket

2. When mounting the Matrix 210™ take into consideration these three ideal label position angles: **Pitch or Skew 10° to 20°** and **Tilt 0°**, although the reader can read a code at any tilt angle.

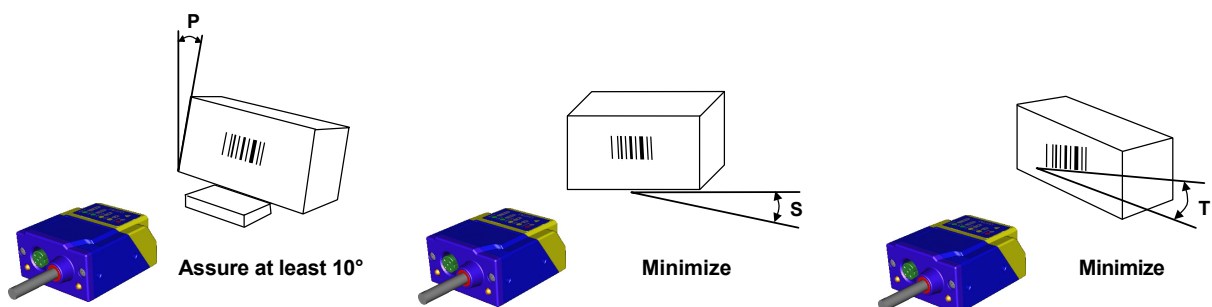



Figure 6 – Pitch, Skew and Tilt Angles

3. Refer to the Reading Features table in chp. 7 to determine the distance your reader should be positioned at.



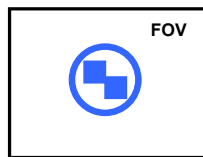
NOTE *Rapid Configuration of the Matrix 210™ reader can be made **either** through the X-PRESS™ interface (steps 3-4) which requires no PC connection, **or** by using the VisiSet™ Setup Wizard (steps 5-6). Select the procedure according to your needs.*

STEP 3 – AIM THE READER

Matrix 210™ provides a built-in aiming system to aid reader positioning. The aiming system is accessed through the X-PRESS™ Interface.

1. Power the reader on. During the reader startup (reset or restart phase), all the LEDs blink for one second. On the connector side of the reader near the cable, the “POWER ON” LED (blue) indicates the reader is correctly powered.
2. Enter the Aim/Locate function by pressing and holding the X-PRESS™ push button until the Aim LED is on.
3. Release the button to enter the Aim function. The aiming system turns on see Figure 7.
4. Place the application specific code in front of the reader at the reading distance indicated for your model in the Reading Features table, centering it in the aiming system indicator.

default value for:
NEAR, MEDIUM,
FAR models



default value for:
UHD models

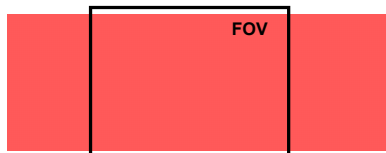


Figure 7 – Aiming Function Using The Blue Ring or Internal Lighting System *

green
green
yellow
yellow
red



Figure 8 – X-PRESS™ Interface: Aim Function

* the default value of the Aiming System Status parameter can be changed in VisiSet™.

5. Exit the Aim function by pressing the X-PRESS™ push button once. The aiming system turns off.

STEP 4 – X-PRESS™ CONFIGURATION

Once Matrix 210™ is positioned with respect to the code (step 3), you can configure it for optimal code reading relative to your application. This configuration can be performed either through the X-PRESS™ Interface or the VisiSet™ configuration program.

Setup

1. Enter the Setup function by pressing and holding the X-PRESS™ push button until the Setup LED is on.
2. Release the button to enter the Setup function. The Setup LED will blink until the procedure is completed.

The Setup procedure ends when the Image Acquisition parameters are successfully saved in the reader memory, the Setup LED will remain on continuously and Matrix 210™ emits 3 high pitched beeps.

If the calibration cannot be reached after a timeout of about 5 (five) seconds Matrix 210™ will exit without saving the parameters to memory, the Setup LED will not remain on continuously but it will just stop blinking. In this case Matrix 210™ emits a long low pitched beep.

3. Exit the Setup function by pressing the X-PRESS™ push button once.

Learn

4. Enter the Learn function by pressing and holding the X-PRESS™ push button until the Learn LED is on.
5. Release the button to enter the Learn function. The Learn LED will blink until the procedure is completed.

The Learn procedure ends when the Image Processing and Decoding parameters are successfully saved in the reader memory, the Learn LED will remain on continuously, the Green Spot is activated and Matrix 210™ emits 3 high pitched beeps¹.

If the calibration cannot be reached after a timeout of about 3 (three) minutes Matrix 210™ will exit without saving the parameters to memory, the Learn LED will not remain on continuously but it will just stop blinking. In this case Matrix 210™ emits a long low pitched beep.

6. Exit the Setup function by pressing the X-PRESS™ push button once.



Figure 9 – X-PRESS™ Interface: Setup Function



Figure 10 – X-PRESS™ Interface: Learn Function

¹ The Learn procedure will not recognize Pharmacode symbolologies.

**NOTE**

If you have used this procedure to configure Matrix 210™ go to step 7.

RESET READER TO FACTORY DEFAULT (OPTIONAL)

If it ever becomes necessary to reset the reader to the factory default values, you can perform this procedure by holding the X-PRESS™ push button pressed while powering up the reader. **You must keep the X-PRESS™ push button pressed until the power up sequence is completed** (several seconds) and all LEDs blink simultaneously 3 times.

All LEDs remain on for about 1 second, then off for one second, the Configuration and Environmental parameters are reset, and the status LED remains on. If connected through a CBX500 with display module, the message "Default Set" is shown on the display.

STEP 5 – INSTALLING VISISET™ CONFIGURATION PROGRAM

VisiSet™ is a Datalogic reader configuration tool providing several important advantages:

- Setup Wizard for rapid configuration and new users;
- Defined configuration directly stored in the reader;
- Communication protocol independent from the physical interface allowing to consider the reader as a remote object to be configured and monitored.

To install VisiSet™, turn on the PC that will be used for the configuration, running Windows 98, 2000/NT, XP, Vista or 7, then insert the VisiSet™ Mini-DVD, wait for the DVD to autorun and follow the installation procedure.

This configuration procedure assumes a laptop computer, running VisiSet™, is connected to the reader's auxiliary port.

After installing and running the VisiSet™ software program the following window:

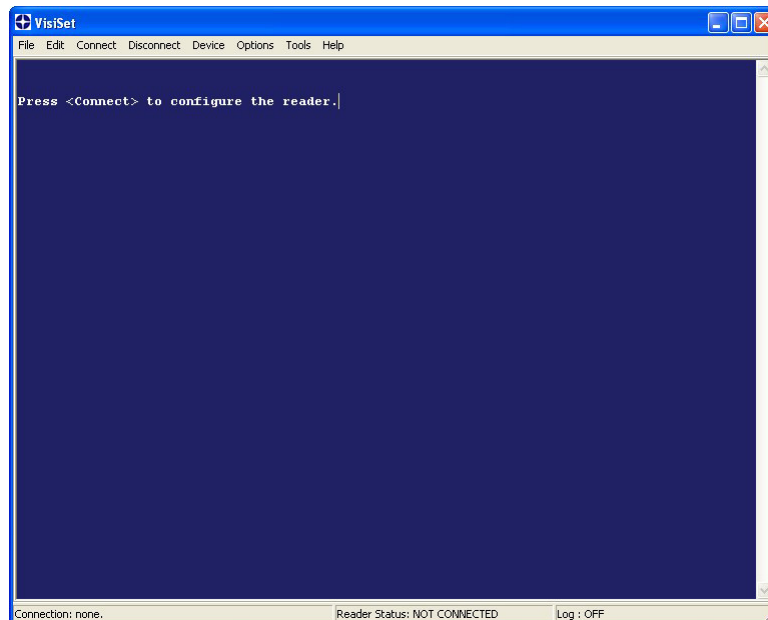


Figure 11 - VisiSet™ Opening Window

Set the communication parameters from the "Options" menu. Then select "Connect", the following window appears:

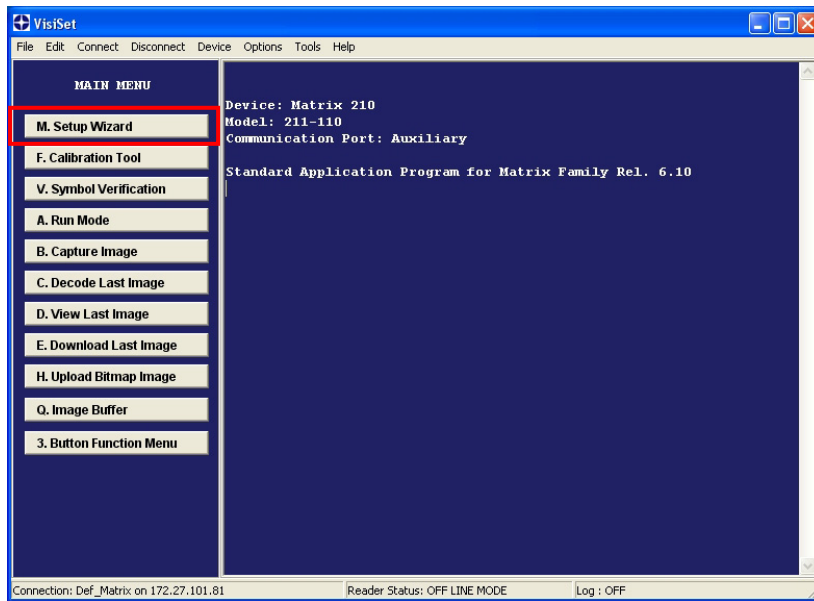
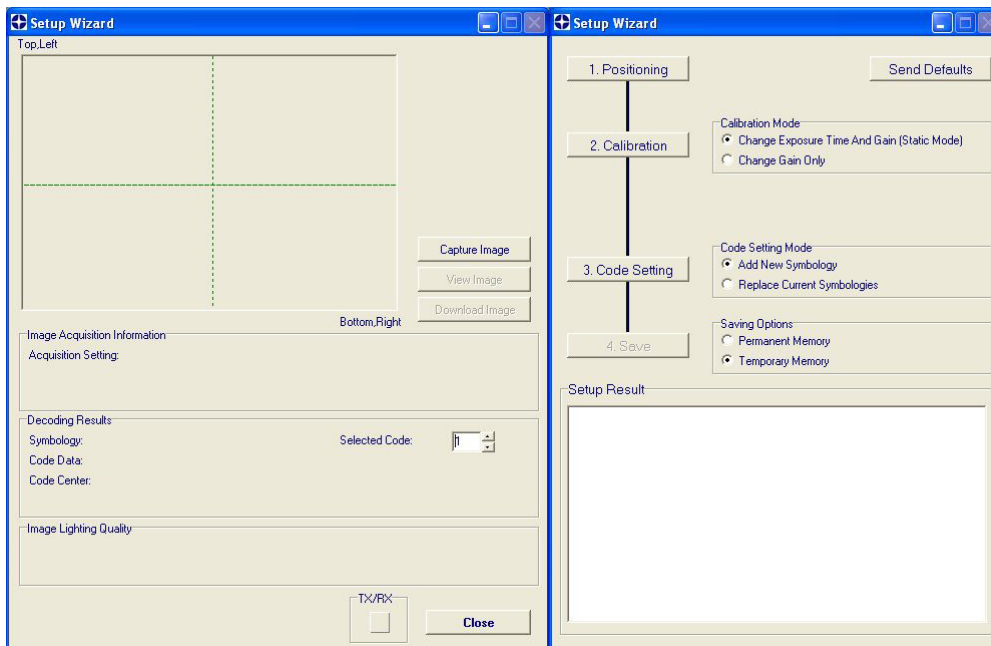


Figure 12 - VisiSet™ Main Window After Connection

STEP 6 – CONFIGURATION USING SETUP WIZARD

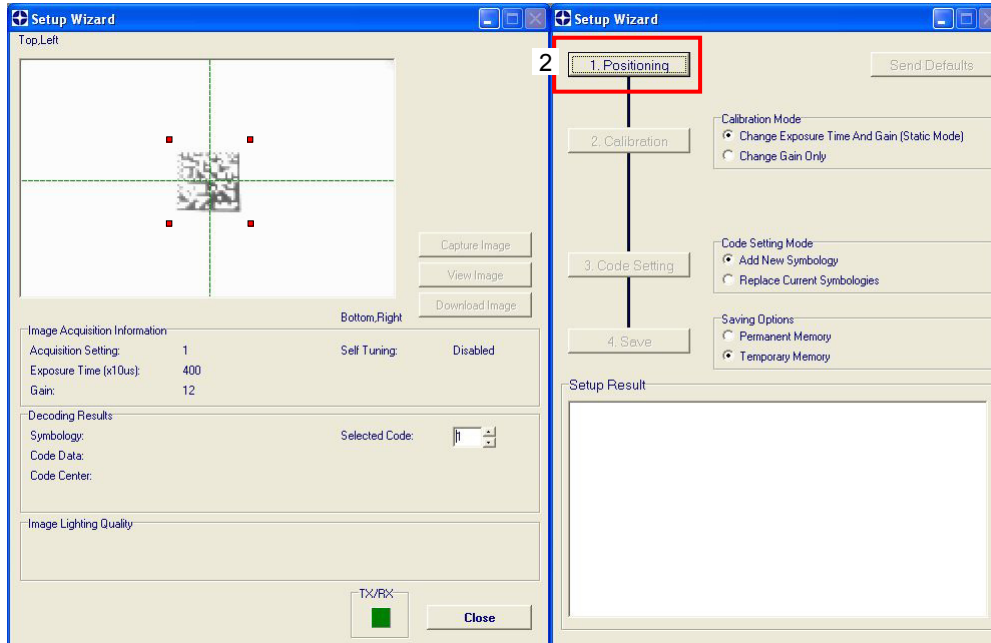
The Setup Wizard option is advised for rapid configuration or for new users. It allows reader configuration in a few easy steps.

1. Select the Setup Wizard button from the Main menu.

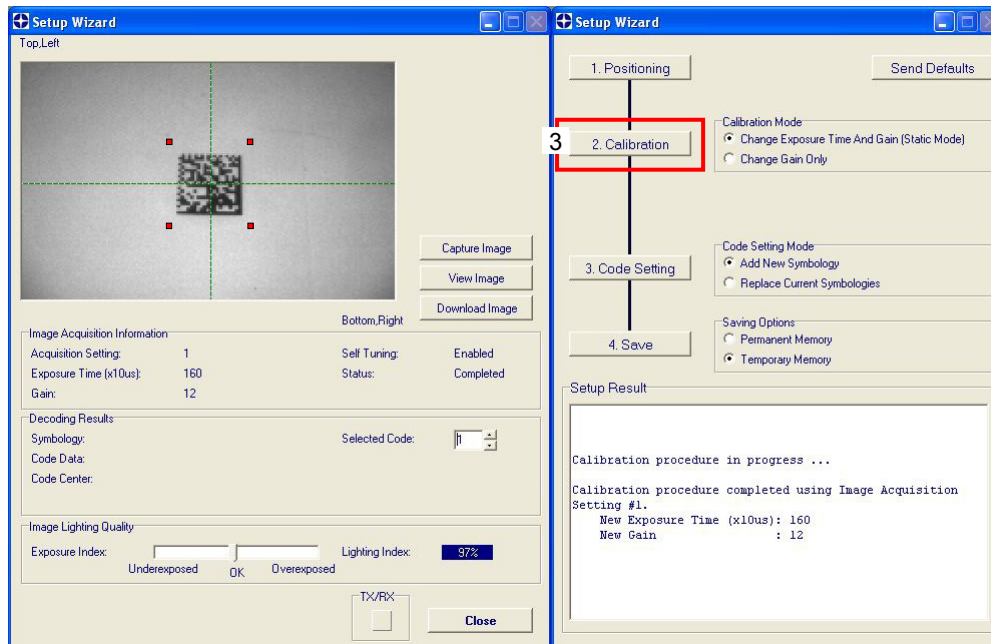


Place the application specific code in front of the reader at the correct reading distance (see step 2 and the Reading Features table in the chp. 7).

- Press the "Positioning" button. The reader continuously acquires images and gives visual feedback in the view image window. The Setup Wizard now shows four delimiters (red points) in the acquired images which indicate the region in which the calibration algorithm is active. Move the reader (or code) to center it. Press the Positioning button again to stop positioning.

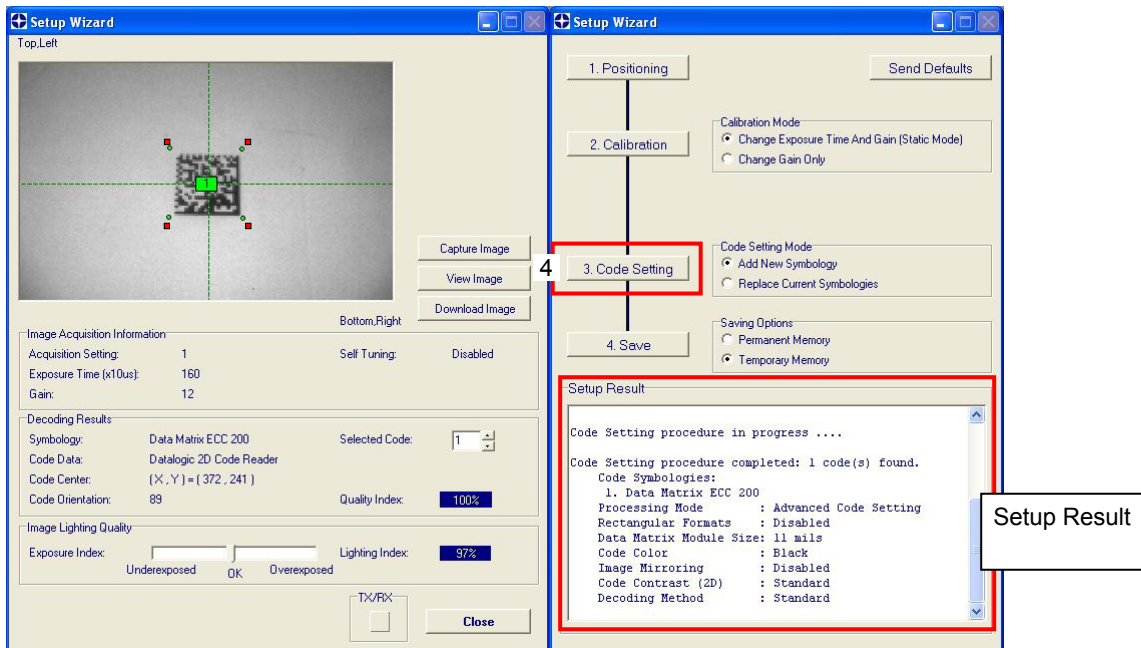


- Select a Calibration Mode choice and press the "Calibrate" button. The reader flashes once acquiring the image and auto determines the best exposure and gain settings. If the code symbology is enabled by default, the code will also be decoded.

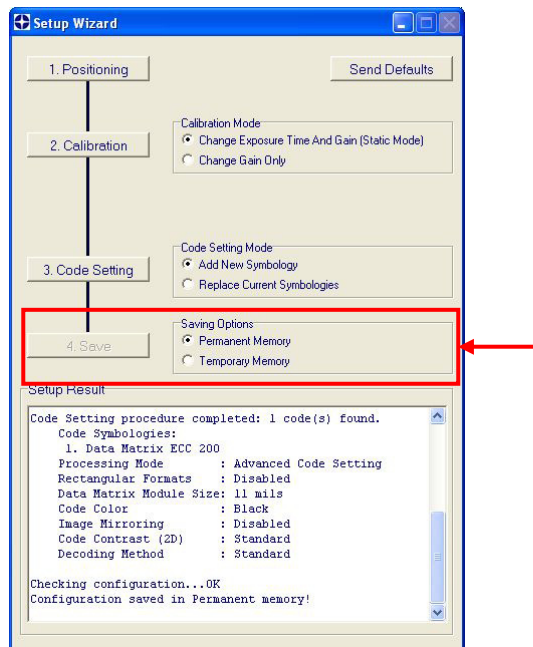


4. Select a Code Setting Mode choice and press the "Code Setting" button.


The Setup Result section of the Setup Wizard window shows the code type results and the parameter settings.



5. Select a Saving Options choice and press the "Save" button.



6. Close the Setup Wizard.



If your application has been configured using the VisiSet™ Setup Wizard, your reader is ready. If necessary you can use VisiSet™ for advanced reader configuration.

NOTE

STEP 7 – TEST MODE

Use a code suitable to your application to test the reading performance of the system. Alternatively, you can use the Datalogic 1D/2D Test Chart (Code 39, Data Matrix ECC 200).

1. Enter the *Test* function by pressing and holding the X-PRESS™ push button until the Test LED is on.
2. Release the button to enter the *Test* function.

Once entered, the Bar Graph on the five LEDs is activated and if the reader starts reading codes the Bar-Graph shows the Good Read Rate. In case of no read condition, only the STATUS LED is on and blinks.



Figure 13 – X-PRESS™ Interface: Test Function

3. To exit the Test, press the X-PRESS™ push button once.



NOTE

By default, the Test exits automatically after three minutes.

The Bar Graph has the following meaning:

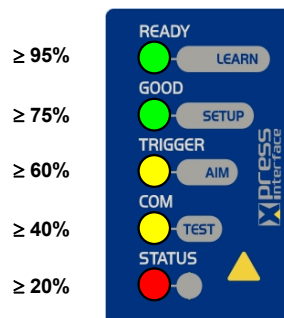


Figure 14 – Test Bar Graph

ADVANCED READER CONFIGURATION

For further details on advanced product configuration, refer to the VisiSet™ Help On-Line. The following are alternative or advanced reader configuration methods:

Advanced Configuration Using VisiSet™

Advanced configuration can be performed through the VisiSet™ program by selecting *Device> Get Configuration From Temporary Memory* to open the Parameter Setup window in off-line mode. Advanced configuration is addressed to expert users being able to complete a detailed reader configuration. The desired parameters can be defined in the various folders of the Parameter Setup window and then sent to the reader memory (either Temporary or Permanent):

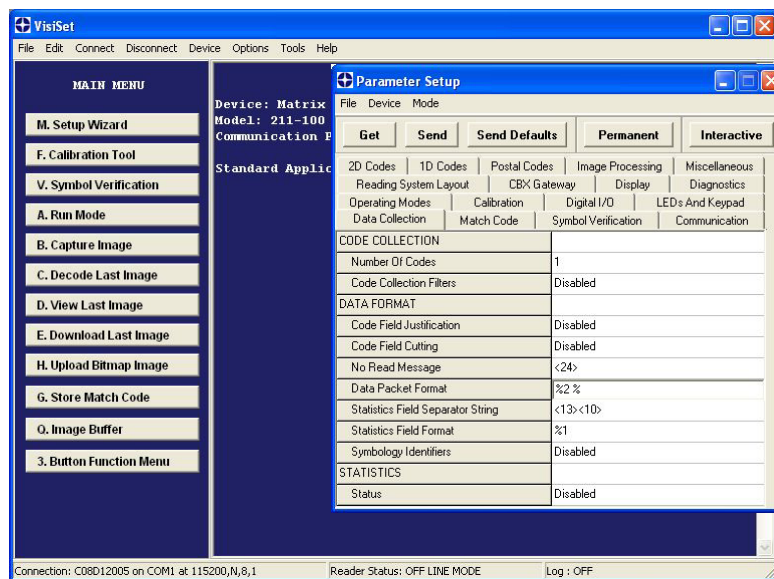


Figure 15 - VisiSet™ Parameter Setup Window

Host Mode Programming

The reader can also be configured from a host computer using the Host Mode programming procedure, by commands via the serial interface. See the Host Mode Programming file on the Mini-DVD.

Alternative Layouts

If you need to install an Ethernet network, ID-NET™ network, Fieldbus network, Pass-Through network, Multiplexer network or an RS232 Master/Slave refer to the Matrix 210™ Reference Manual.

The reader can also be setup for alternative layouts by reading programming barcodes. See the "Setup Procedure Using Programming Barcodes" printable from the Mini-DVD.

Code Quality Verification

Matrix 210™ can be used as a Code Quality Verifier according to the ISO/IEC 15415, ISO/IEC 15416, AS9132, and AIM DPM Standards.

2 INTRODUCTION

2.1 PRODUCT DESCRIPTION

Matrix 210™ is the new Datalogic 2D reader offering excellent reading performance, ultra compact size and extreme ease of use. Thanks to innovative optical features, advanced software functions and complete connectivity options, Matrix 210™ is the cost effective solution for applications where the space is very limited.

Ultra Compact Size

Compact dimensions, straight and 90° reading window models availability allow flexible mounting and positioning in narrow spaces.

Excellent Reading Performance

WVGA image sensor, up to 60 frames/s acquisition rate and dynamic reading capability, together with powerful decoding libraries provide excellent performance on a wide range of code symbologies as well as damaged and low quality codes. Matrix 210™ allows reading 10 mils codes in moving applications at speeds up to 2 m/sec.

Innovative Optical Features

The innovative optical and lighting systems ensure wide field of view at short reading distances, combined with excellent illumination pattern. Matrix 210™ has a maximum reading distance of 200 mm, and it can read at near distance ultra high density 2D codes up to 0.076 mm (3 mils).

Ease Of Use

The intuitive X-PRESS™ Human Machine Interface makes installation and maintenance easier than ever thanks to a five LED bar graph and the multi-function key providing immediate access to relevant functions such as Aiming, Setup (for automatic imager calibration), Learn (for automatic code setting), Test Mode (for bar graph activation). A Green Spot provides immediate Good Read feedback.

Enhanced Connectivity

An embedded high speed ID-NET™ communication interface allows efficient data collection and simplifies network wiring. USB interface models allow direct connection to a PC.

Industrial Features

Matrix 210™, with its rugged construction, IP65 protection class, 50°C max operating temperature and 10 to 30 VDC power supply is the ideal product for industrial applications.

Matrix 210™ has been developed for use in numerous industries like:

Electronics:

- PCB Board Tracking
- Electronics Product Tracking

Pharmaceutical & Chemical:

- Medical Devices Traceability
- Pharmaceutical and Medicine Manufacturing

OEM:

- Chemical & Biomedical Analysis Machines
- Access Control Systems
- Self Service Systems (ATM, Kiosks)
- Print & Apply systems
- Document Handling

This technology intrinsically provides omni-directional reading.

Standard Application Program

A Standard Application Program is factory-loaded onto Matrix 210™. This program controls code reading, data formatting, Ethernet interfacing, serial port and USB interfacing, and many other operating and control parameters. It is completely user configurable from a Laptop or PC using the dedicated configuration software program VisiSet™, provided on Mini-DVD with the reader.

There are different programmable operating modes to suit various code reading system requirements.

Quick, automatic positioning, calibration and code setting of the imager can be accomplished using the X-PRESS™ button and LEDs on top of the reader without the necessity of a PC.

The previous functions can also be performed through VisiSet™ through the Setup Wizard. This tool includes visual feedback from the reader.

VisiSet™ provides a Calibration Tool to verify the exact positioning of the reader and to maximize its reading performance.

Statistics on the reading performance can also be visualized through a dedicated window in VisiSet™.

Symbol Verification can be performed through VisiSet™ when the reader has been installed and setup as a Verifier station.

Programmability

If your requirements are not met by the Standard Application Program, Custom Application Programs can be requested at your local Datalogic distributor.

Some of the main features of this reader are given below:

- Ultra Compact Dimensions
- Direct and 90° window models for smart mounting
- Outstanding decoding capability on 1D, 2D, Stacked and Postal symbologies
- High performance on dynamic reading applications
- X-PRESS™ for easy and intuitive setup
- Optical Aiming System
- 10 to 30 VDC Power Supply
- High Speed Ethernet Connectivity
- USB Connectivity
- ID-NET™ embedded high speed connectivity
- Region Of Interest Windowing for higher frame rate
- Run Time Self Tuning for higher flexibility

2.2 INDICATORS AND KEYPAD BUTTON

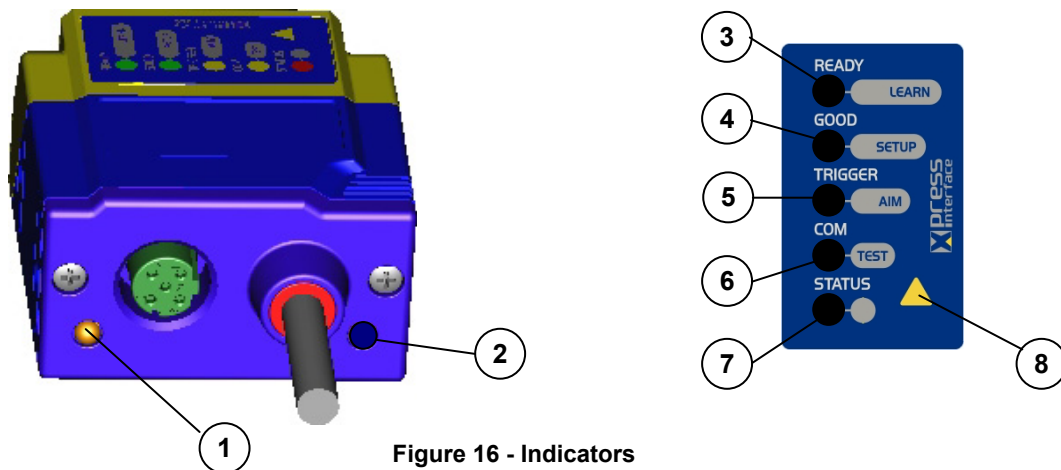


Figure 16 - Indicators

The following LED indicators are located on the reader:

NET	For Ethernet models, on the connector side of the reader near the Ethernet connector, the orange ETHERNET NETWORK PRESENCE LED indicates the on-board Ethernet network connection. (Figure 16, 1)
PWR	On the connector side of the reader near the cable, the blue POWER ON LED indicates the reader is correctly powered. (Figure 16, 2)

In normal operating mode the colors and meaning of the five LEDs are illustrated in the following table:

READY	green LED indicates that the reader is ready to operate (Figure 16, 3)
GOOD	green LED confirms successful reading (Figure 16, 4)
TRIGGER	yellow LED indicates the status of the reading phase (Figure 16, 5)
COM	yellow LED indicates active communication on the main serial port * (Figure 16, 6)
STATUS	red LED indicates a NO READ result (Figure 16, 7)

* When connected to a Fieldbus network through the CBX500, the COM LED is always active, even in the absence of data transmission, because of polling activity on the Fieldbus network.

During the reader startup (reset or restart phase), these five LEDs blink for one second.

In X-PRESS™ Configuration mode the colors and meaning of these five LEDs are described in par. 2.4.

The keypad button (Figure 16, 8, is software programmable. By default it starts the X-PRESS™ interface for quick installation without using a PC (see chp. 1).

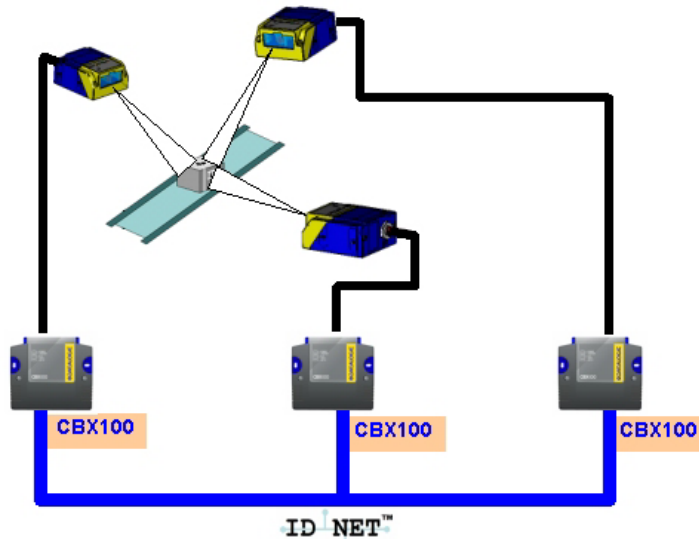
2.3 ID-NET™

The ID-NET™ network is a built-in high-speed interface dedicated for high-speed reader interconnection. ID-NET™ is in addition to the Main and Auxiliary serial interfaces.



The following network configurations are available:

- **ID-NET™ M/S Synchronized:** Single station – multiple readers

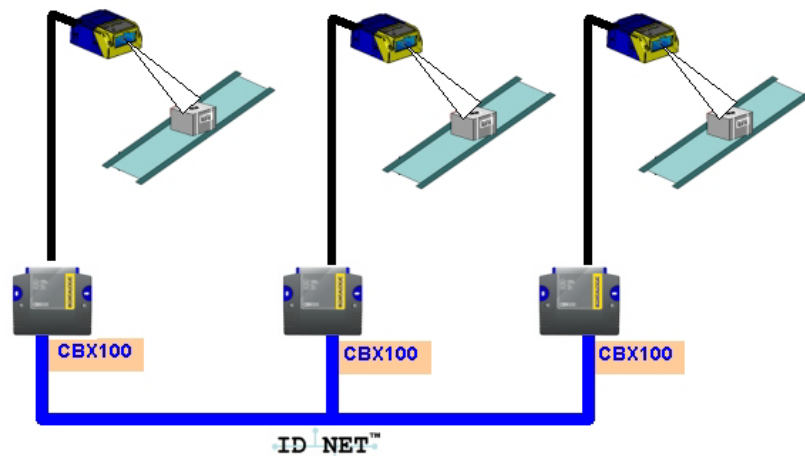


ID-NET™ interface allows local connection of multiple readers reading different sides of the same target. All readers share a single presence sensor and activate/deactivate simultaneously.

At the end of each reading phase a single data message is transmitted to the host.

Thanks to ID-NET™, data communication among readers is highly efficient so that an immediate result will be available.

- **ID-NET™ M/S Multidata:** Multiple stations – single reader



ID-NET™ interface allows connection of readers reading objects placed on independent conveyors. All readers are typically located far away from each other and they use a dedicated presence sensor.

At the end of each reading phase, each reader transmits its own data message to the host. Thanks to ID-NET™, data collection among readers is accomplished at a high speed without the need of an external multiplexing device. This leads to an overall cost reduction and to a simple system wiring.

2.3.1 How To Setup/Configure the Reader Network

A complete ID-NET™ reader network can be easily setup through VisiSet™ as follows:

Mounting & Connection

1. Mechanically mount/install all the readers (refer to par. 3.2 and 3.3).
2. Wire ID-NET™ (refer to par. 4.3 or 5.5).
3. Power up the entire system.

Configuration of Slaves

1. Connect a PC equipped with VisiSet™ to the Main, Auxiliary or Ethernet interface of the planned Slave reader.
2. Launch VisiSet™ and connect to the Slave reader.
3. From the VisiSet™ Device Menu select "Parameter Setup".
4. Set the Role of the Slave reader (Synchronized or Multidata) from the Reading System Layout > Device Network Setting > Topology Role parameter.
5. Set the Slave Address according to the desired value **1-31** from the Reading System Layout > Device Network Setting > Slave Address parameter. Each reader must have a different Address on the ID-NET™ Network.
6. If necessary, set the ID-NET™ baudrate from the Reading System Layout > Device Network Setting > Network Baud Rate parameter, (500 kbs default).

7. Configure the other device parameters via VisiSet™ [Operating Mode, Calibration, Data Collection parameters, etc.].
8. The Slave device is now Configured. Physically connect it to the Master/Slave network. If using the CBX connection box equipped with a BM100 Backup module, you can perform Device Backup at the Slave (see par. 2.4 for details).

Repeat these steps for each Slave reader in the ID-NET™ network.

Configuration of Master

1. Connect a PC equipped with VisiSet™ to the Main Auxiliary or Ethernet interface of the planned Master reader.
2. Launch VisiSet™ and connect to the Master reader.
3. From the VisiSet™ Device Menu select "Parameter Setup".
4. Set the Role of the Master reader (Synchronized or Multidata) from the Reading System Layout > Device Network Setting > Topology Role parameter.
5. Enable the planned Slave device N from the Reading System Layout > Expected Slave Device #N > Status parameter and, if desired, set the related identification string from the Expected Slave Device #N > Device Description parameter. Repeat this step for all planned Slave devices.
6. If necessary, set the ID-NET™ baudrate from the Reading System Layout > Device Network Setting > Network Baud Rate parameter, (500 kbs default).
7. Configure the other device parameters via VisiSet™ [Operating Mode, Calibration, Data Collection parameters, etc.].
8. The Master device is now Configured. Physically connect it to the Master/Slave network. If using the CBX connection box equipped with a BM100 Backup module, perform a Network Backup at the Master (see par. 2.4 for details).
9. From the VisiSet™ Device Menu select "ID-NET™ Status Window" and click on the "Look For Devices On Network" button to check the status of the expected Slave devices within the ID-NET™ network.

Slave Address	Requested Status	Current Status	Device Description	Serial Number	Parameter
1	Enabled	Present	Matrix 210	C10P01554	Get
2	Enabled	Present	Matrix 210	C10P01548	Get
3	Enabled	Present	Matrix 210	C10P01552	Get
4	Enabled	Present	Matrix 210	C10P01550	Get
5	Enabled	Present	Matrix 210	C10P01551	Get
6	Enabled	Present	Matrix 210	C10P01553	Get
7	Enabled	Present	Matrix 210	C10P01549	Get

The reader network is ready.

2.3.2 ID-NET™ Slave Management Through Master

When an ID-NET™ layout has already been configured, it is possible to modify the configuration of any Slave from VisiSet through the Master.

1. Connect a PC equipped with VisiSet™ to the Main, or Auxiliary interface of the Master reader.
2. Launch VisiSet™ and connect to the Master reader.
3. From the VisiSet™ Device Menu select "ID-NET™ Status Window" and click on the "Look For Devices On Network" button to check the status of the expected Slave devices within the ID-NET™ network.
4. Click anywhere in the row of the specific slave in the ID-NET Status Window when its Current Status is "Present". The Parameter Setup window will be displayed after a time based on the network speed, with the configuration of the selected slave.
5. From the specific Slave Parameter Setup Window, change any parameter (not in interactive mode), save the configuration to a file, or load a configuration from a file.
6. Send the modified configuration to the slave.

The screenshot shows the 'Parameter Setup Slave#2' window with a menu bar (File, Device, Mode) and several buttons: Get, Send, Send Defaults, Permanent, and Interactive. Below the buttons are several tabs for different configuration categories: 2D Codes, 1D Codes, Postal Codes, Image Processing, Miscellaneous, Data Collection, Match Code, Symbol Verification, Communication, Reading System Layout, Microglyph Codes, CBX Gateway, Display, Diagnostics, Operating Modes, Calibration, Digital I/O, and LEDs And Keypad. The 'OPERATING MODE' section is expanded, showing a table of parameters.

OPERATING MODE	
Operating Mode	Phase Mode
Reading Phase ON	Ext. Trig. Leading Edge
Acquisition Trigger	Continuous
Number Of Acquisition	0
Acquisition Trigger Status	Always Enabled
Reading Phase OFF	Ext. Trig. Trailing Edge
Image Acquisition Buffer Size	10
Acquisition Retry	Disabled
ACQUISITION TRIGGER DELAY	
Status	Enabled
Delay Time (x100us)	650



CAUTION


If a wrong configuration is set or if the Slave Reading System Layout parameters are changed, the slave could lose the network connection.

2.4 CBX BACKUP AND RESTORE THROUGH VISISET™

The "CBX Backup" or "CBX Restore" functions allow performing Complete Configuration and Environmental parameter storage for network and reading devices. Backup & Restore can be applied to any device connected to a Backup Module (BM100) or QL500 (Connection Module + Ethernet) or BM2x0 (Ethernet Module) regardless of the devices' network configuration. Backup & Restore automatically checks whether a previous backup or configuration is already available for each device speeding the procedure up and making it more secure.

These functions are supported by VisiSet™ for all reading devices having sw 6.10 and later when connected to:

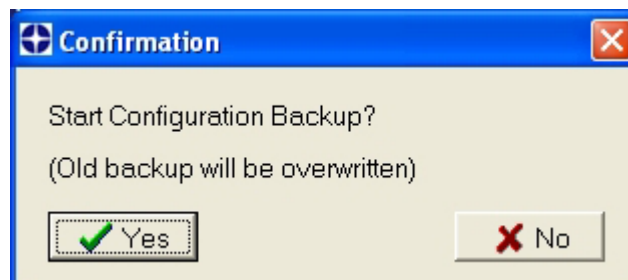
- CBX + BM100 and/or BM2x0 (sw release 2.02.01 and later)
- QL500 (Ethernet TCP/IP) (sw release 2.02.01 and later)

 NOTE	<ul style="list-style-type: none">• <i>Before executing a Backup on a BM100 backup module make sure the Write Protection switch is set to Unlocked.</i>• <i>If BM100 and BM2x0 are both installed B&R is automatically performed only on the BM100 module.</i>• <i>BM2x0 can execute B&R only with Network up and running (network cable connected).</i>• <i>QL500 can backup up to 10 nodes (Master + 9 slaves).</i>
--	--

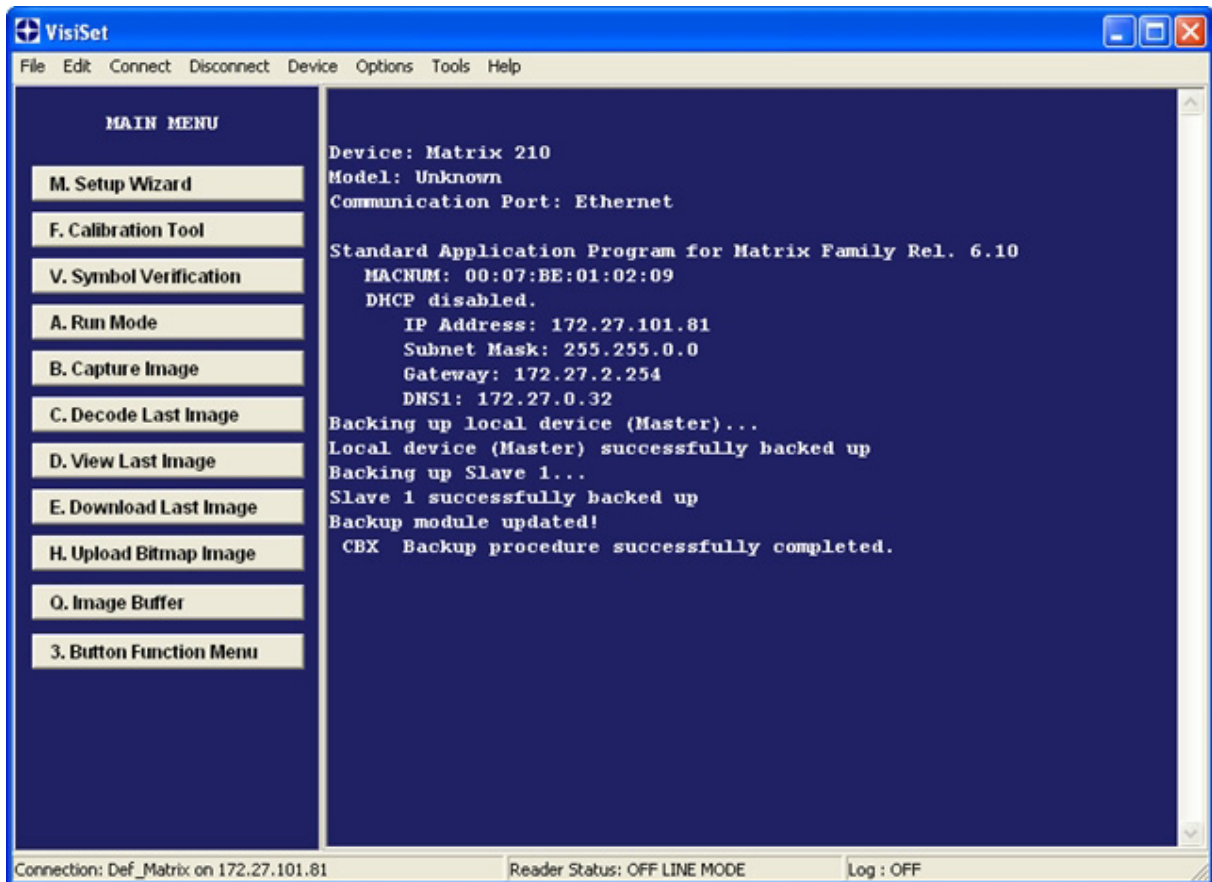
Backup

To perform a Backup:

1. Select "CBX Backup" from the VisiSet™ Device menu
2. You will be warned that the previous backup will be overwritten. Confirm by clicking Yes.



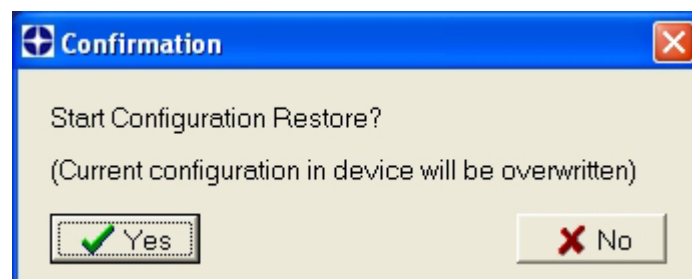
The VisiSet™ Main window shows information as the backup procedure is performed and a message indicating successful completion.



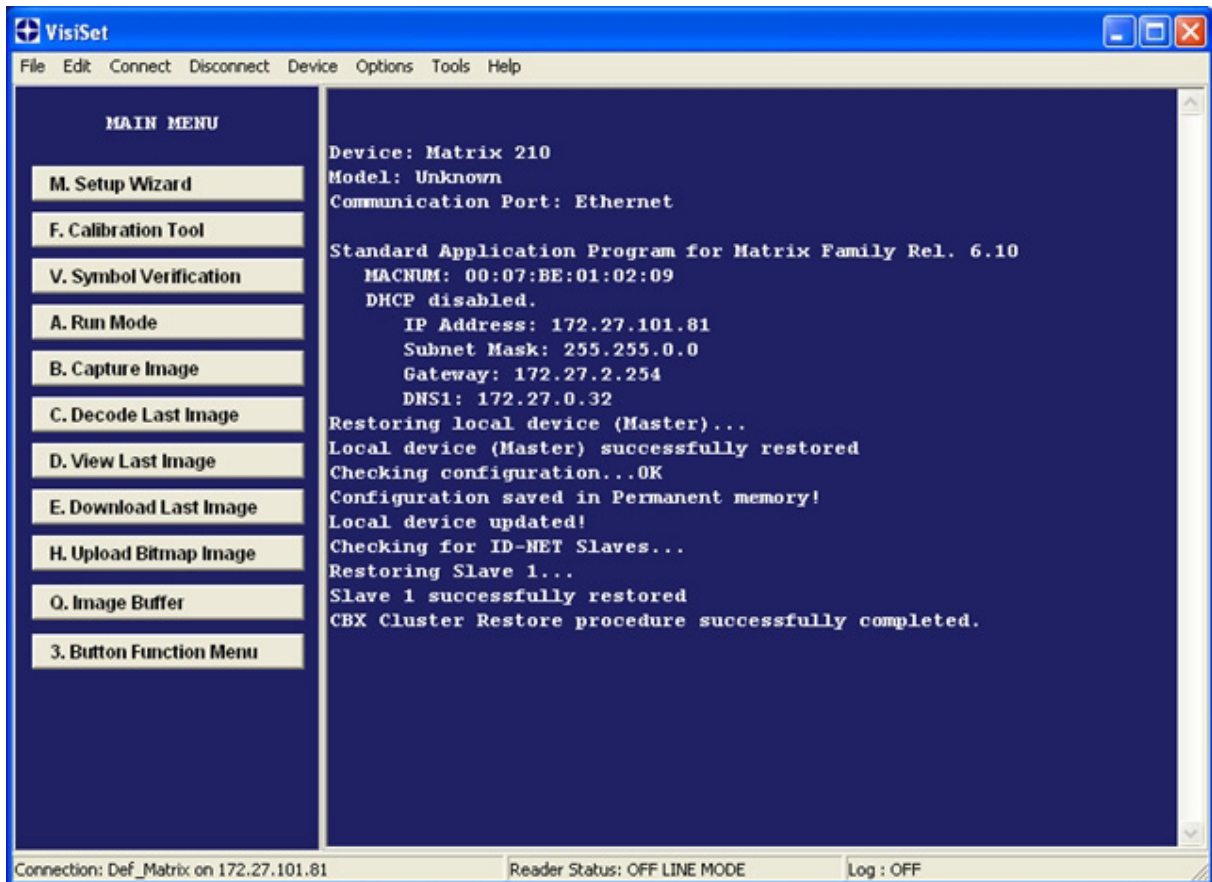
Restore

To perform a Restore:

1. Select "CBX Restore" from the VisiSet™ Device menu
2. You will be warned that the current device configuration(s) will be overwritten. Confirm by clicking Yes.



The VisiSet™ Main window shows information as the restore procedure is performed and a message indicating successful completion.



Replacement

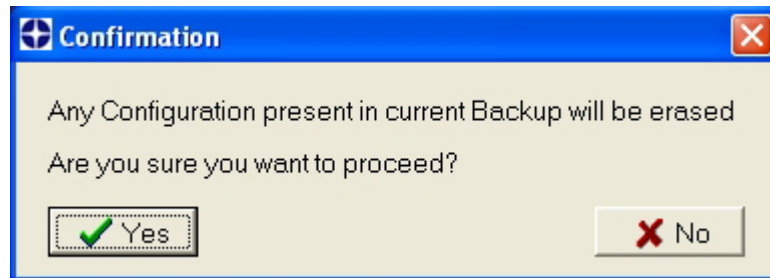
The CBX Restore function also provides easy and secure Single Device Replacement:

1. Remove the device to be replaced
2. Connect the new device (make sure the new device has been previously set to default)
3. Run the Restore procedure by selecting the "CBX Restore" item (see: Restore procedure)

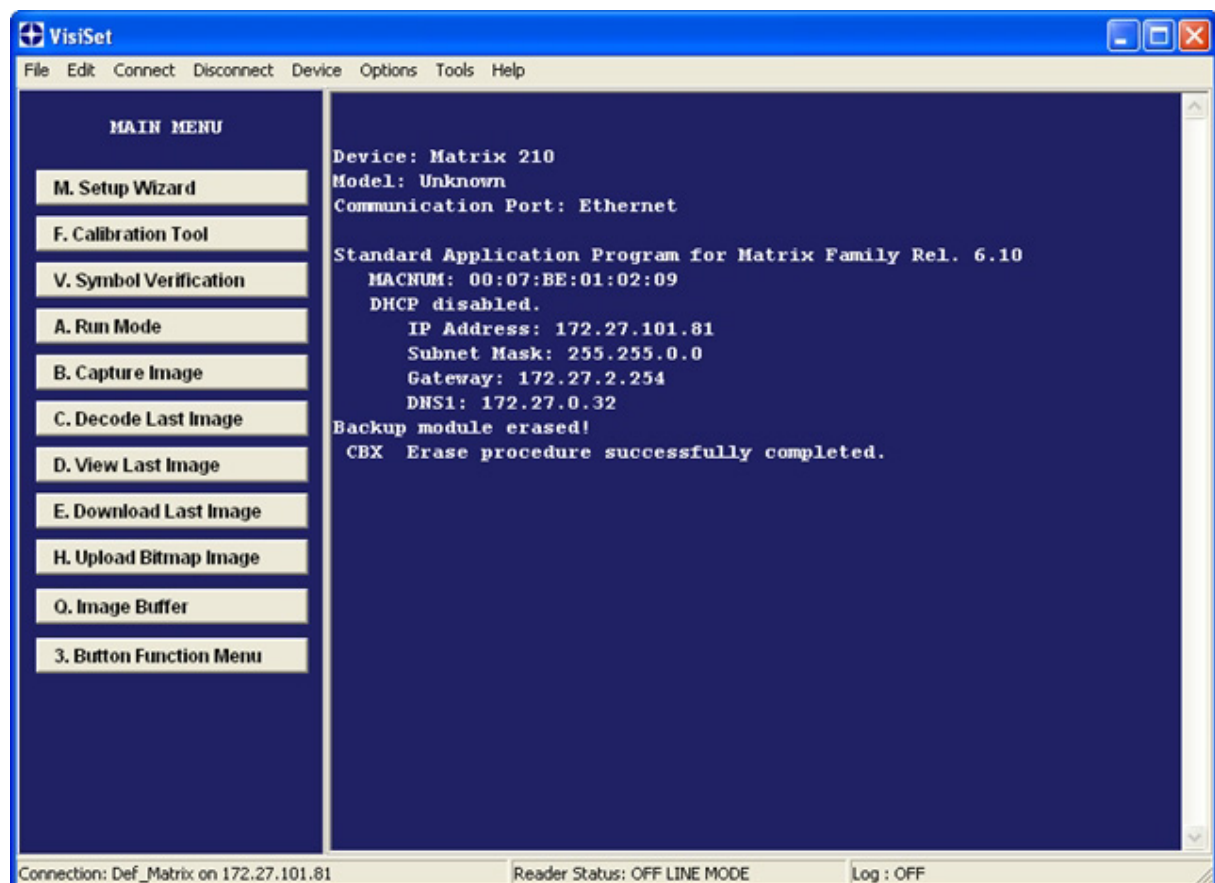
Erase

To Erase any previous Backup:

1. Select "CBX Erase" from the VisiSet™ Device menu
2. You will be warned that all device configurations in the current backup will be erased. Confirm by clicking Yes.



The VisiSet™ Main window shows a message indicating successful completion.

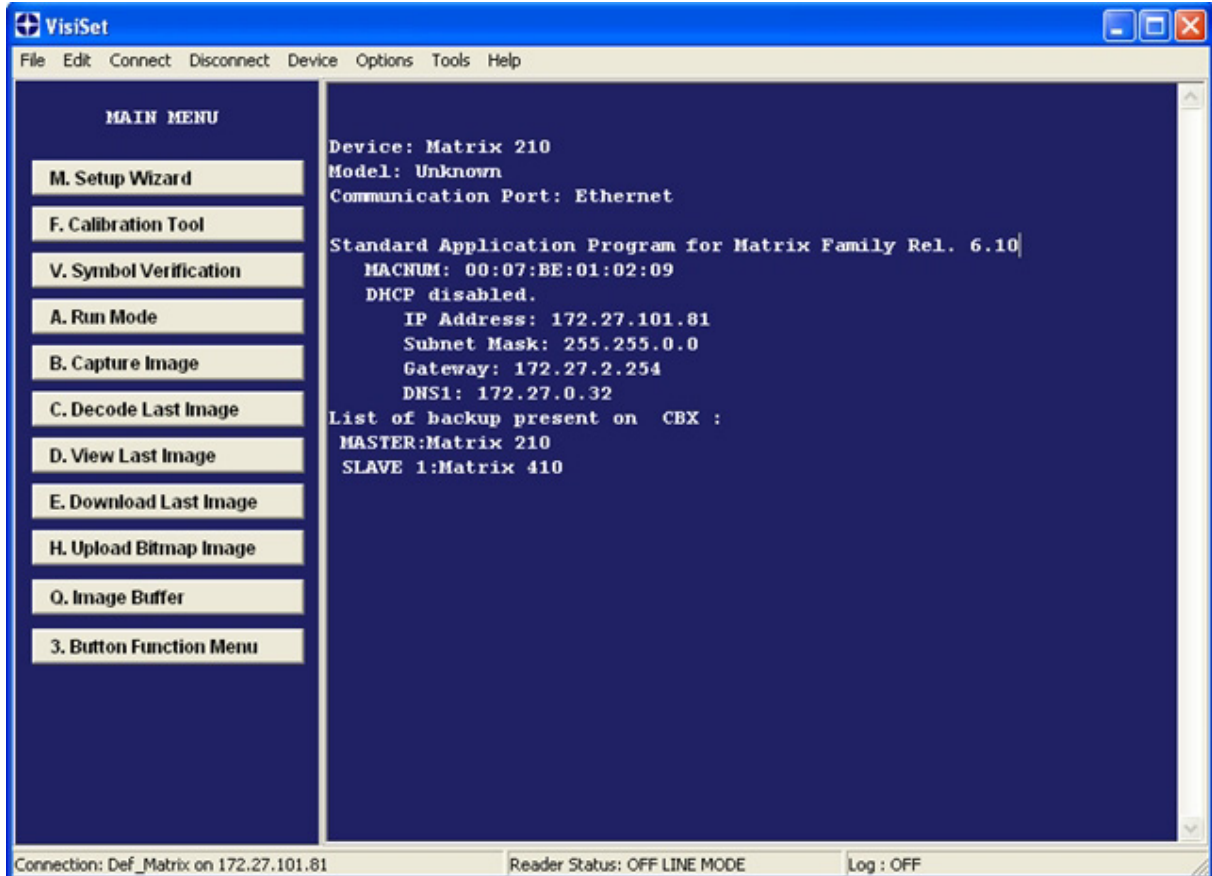


List

To see a List of the current Backup:

1. Select "CBX Read Backup" from the VisiSet™ Device menu.

The VisiSet™ Main window shows a list of devices in the current Backup.



The following is a list of possible error messages displayed on the VisiSet™ main window in case of a CBX function failure:

- **Module not present:** backup module not mounted (BM100) or not ready (QL500, BM2x0)
- **Unable to Read Backup State:** Genius is unable to get connected to the device
- **Backup function not allowed:** when device is in X-Press Menu mode (BM100) or is out of memory (QL500)
- **Failed! (Device not found):** Master is unable to reach the addressed device
- **Failed! (Module is write protected):** BM100 Write Protection switch is set to Locked

2.5 X-PRESS™ HUMAN MACHINE INTERFACE

X-PRESS™ is the intuitive Human Machine Interface designed to improve ease of installation and maintenance.

Status information is clearly presented by means of the five colored LEDs, whereas the single push button gives immediate access to the following relevant functions:

- Learn to self-detect and auto-configure for reading unknown codes.
- Setup to perform Exposure Time and Gain calibration.
- Aim/Locate to turn on the blue ring to aid positioning.
- Test with bar graph visualization to check static reading performance.



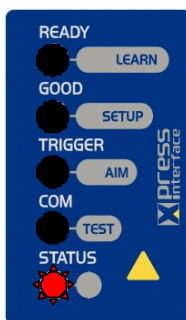
2.5.1 X-PRESS™ Functions

Quick access to the following functions is provided by an easy procedure using the push button:

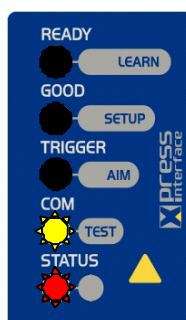
- 1 – **Press** the button (the Status LED will give a visual feedback).
- 2 – **Hold** the button until the specific function LED is on (Test, Focus, Setup or Learn).
- 3 – **Release** the button to enter the specific function.



Once button is pressed, the cycle of LEDs activation is as follows:



Release button to Exit

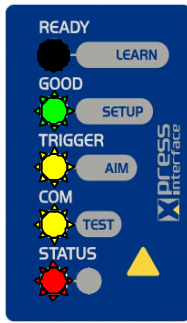


Release button to enter Test Mode

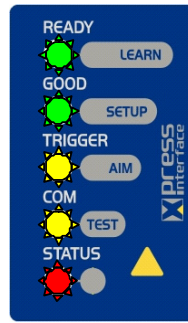


Release button to enter Aim/Locate Mode

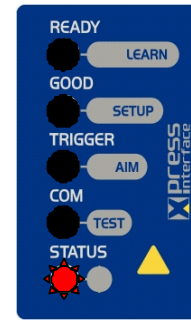




Release button
to enter Setup Mode



Release button
to enter Learn Mode



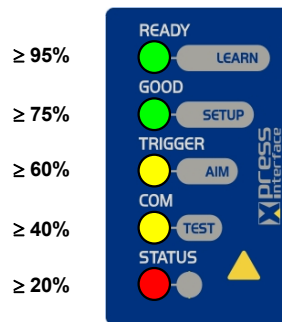
Release button
to Exit

→ (cycle)

Test Mode (Function 1)

Once entered, the Bar Graph on the five LEDs is activated and if the imager starts reading codes the Bar-Graph shows the Good Read Rate. In case of a NO READ condition, only the Status LED is on and blinks.

The Bar Graph has the following meaning:



To exit the Test Mode, press the X-PRESS™ push button once.



NOTE

By default, the Test exits automatically after three minutes.

Aim/Locate (Function 2)

This function causes the blue ring to turn on. Since the blue ring is centered on the FOV it can be used to position the imager on the code. The Aim LED blinks to indicate this state.

To exit the Aim/Locate Mode, press the X-PRESS™ push button once. The blue ring turns off.

Setup (Function 3)

Once entered, the imager automatically performs Image Acquisition parameter calibration for the specific code presented to it.

The Setup LED will blink until the procedure is completed.

The Setup procedure ends when the Image Acquisition parameters are successfully saved in the reader memory, the Setup LED will remain on continuously and Matrix 210™ emits 3 high pitched beeps.

If the calibration cannot be reached after a timeout of about 5 (five) seconds Matrix 210™ will exit without saving the parameters to memory, the Setup LED will not remain on continuously but it will just stop blinking. In this case Matrix 210™ emits a long low pitched beep.

Learn (Function 4)

Once entered, the imager starts a procedure to automatically detect and recognize codes which are presented to it.

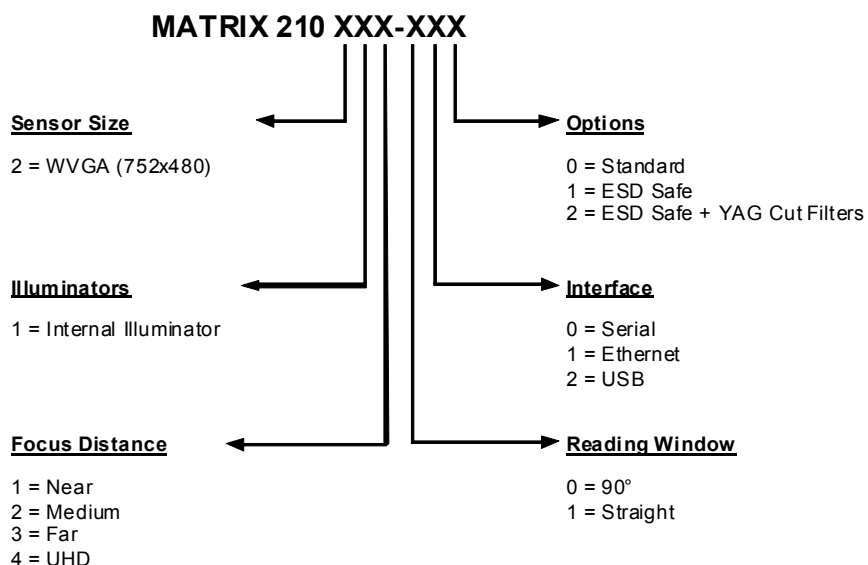
The Learn LED will blink until the procedure is completed.

The Learn procedure ends when the Image Processing and Decoding parameters are successfully saved in the reader memory, the Learn LED will remain on continuously and Matrix 210™ emits 3 high pitched beeps.

If the calibration cannot be reached after a timeout of about 3 (three) minutes, Matrix 210™ will exit without saving the parameters to memory, the Learn LED will not remain on continuously but it will just stop blinking. In this case Matrix 210™ emits a long low pitched beep.

2.6 MODEL DESCRIPTION

The Matrix 210™ reader is available in different versions according to the following characteristics:



2.7 ACCESSORIES

The following accessories can be used with the Matrix 210™ 21X-x0x and Matrix 210™ 21X-x1x model readers.

Accessory	Description	Order No.
Cables		
CAB-ETH-M01	M12-IP67 Ethernet Cable (1M)	93A051346
CAB-ETH-M03	M12-IP67 Ethernet Cable (3M)	93A051347
CAB-ETH-M05	M12-IP67 Ethernet Cable (5M)	93A051348
Connection Boxes		
CBX100	Compact Connection Box	93A301067
CBX500	Modular Connection Box	93A301068
BM100	Backup Module for CBX100/500	93ACC1808
BM150	Display Module for CBX500	93ACC1809
BM200/BM210	Ethernet TCP/IP Module STD/IP65 for CBX500	93ACC1851, 93ACC1852
BM300/BM310	Profibus Module STD/IP65 for CBX500	93ACC1810, 93ACC1811
BM400	DeviceNet Module IP65 for CBX500	93ACC1814
BM500/BM510/BM520	Ethernet/IP Module STD/IP65/IP54 for CBX500	93ACC1812, 93ACC1813, 93ACC1840
BM600	CAN Open Module for CBX500	93ACC1815
BM700	Profinet IO Module for CBX500	93ACC1816
BM1100	CC-Link Module for CBX500	93ACC1845
BM1200/BM1210	Modbus TCP Module STD/IP65 for CBX500	93ACC1848, 93ACC1849
BA100	DIN Rail Adapters	93ACC1821
BA200	Bosch Adapters	93ACC1822
QL150	Quick Link Slave ID-NET + Service T-Connector	93ACC1868
QL300	Quick Link Master ID-NET - Serial Host Connector	93ACC1862
QL500	Quick Link Master ID-NET - Ethernet Host Connector	93ACC1864
Power Supplies		
PG6002	AC/DC Power Supply Unit (US)	93ACC1718
PG6001	AC/DC Power Supply Unit (UK)	93ACC1719
PG6000	AC/DC Power Supply Unit (EU)	93ACC1720
Sensors		
MEP-593	Photocell Kit PNP (PH-1)	93ACC1791
MEP-543	Photocell Kit-NPN	93ACC1728



NOTE

Matrix 210™ 21x-x2x models, (USB), are used for point-to-point connections to PCs or USB Hubs and have no accessories.

2.8 APPLICATION EXAMPLES

Matrix 210™ is profitably used in the omnidirectional reading of 2D, stacked, linear and postal codes for example in automated document handling and mail processing systems (see Figure 17).



Figure 17 - Address Coded in Datamatrix Symbology for Automated Mail Processing

Matrix 210™ assures the reading of deformed and / or overprinted codes, even though damaged or printed on high reflective surfaces (see Figures 18, 19, 20).

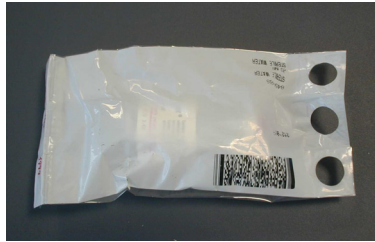


Figure 18 - Unidose Flow-Pack with PDF417 Code

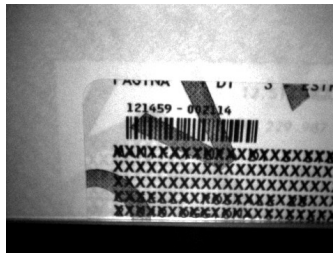


Figure 19 - Overprinted Barcode Readable by Matrix 210™ also Through the Envelope Window Film



Figure 20 - Barcode Printed on Curved Surface Readable by Matrix 210™ in spite of Image Optical Distortion

Matrix 210™ is also very powerful in reading low-contrast direct part marked codes (see Figures 21, 22, 23, 24 and 25).



Figure 21 - Dot Matrix Code Directly Marked on Metal Surface by Using Dot Peening Technology

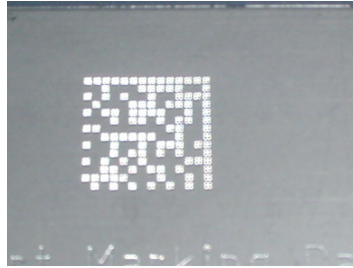


Figure 22 - Dot Peening Marking on Metal Surface with Multi-dot per Code Element

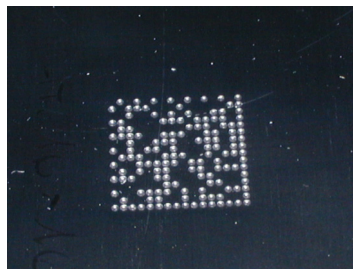


Figure 23 - Directly Marked Dot Matrix Code Characterized by Outstanding Separation Distance between Adjacent Code Elements

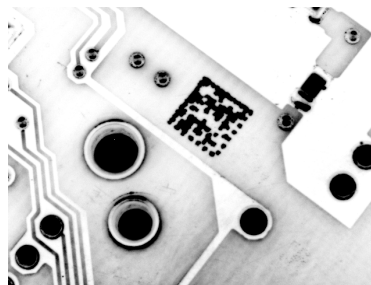


Figure 24 - DataMatrix Code Directly Marked on PCB Surface by Using Laser Etching Technology

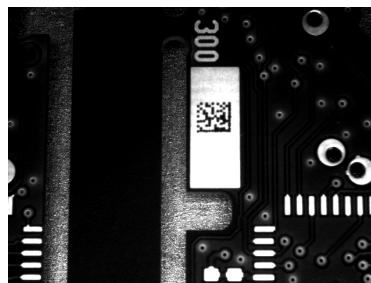


Figure 25 - Dot Matrix Code Directly Marked on PCB Copper Pad by Using Ink-Jet Technology

3 INSTALLATION

3.1 PACKAGE CONTENTS

Verify that the Matrix 210™ reader and all the parts supplied with the equipment are present and intact when opening the packaging; the list of parts includes:

- ❑ Matrix 210™ reader
- ❑ Quick Reference Guide
- ❑ Test Chart
- ❑ Matrix family Mini-DVD
- ❑ Mounting Kit
 - Mounting Screws (2)
 - Washers (2)
 - Mounting Bracket

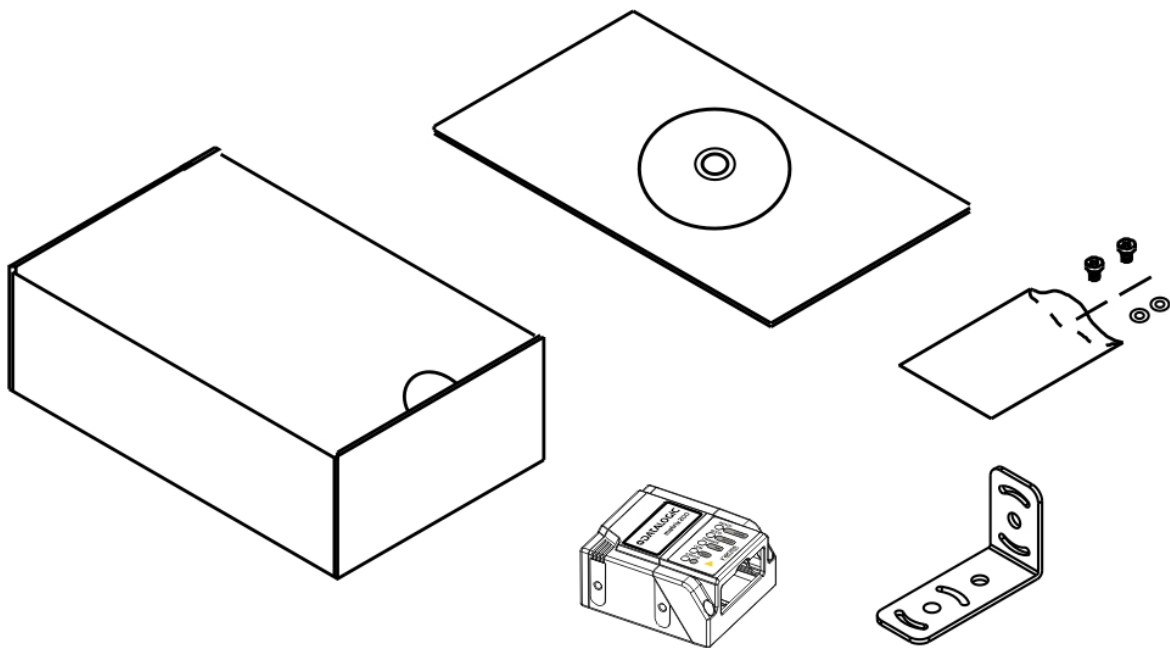


Figure 26 - Package Contents

3.2 MECHANICAL DIMENSIONS

Matrix 210™ can be installed to operate in different positions. The four screw holes (M3 x 4) on the body of the reader are for mechanical fixture (Figure 27).

The diagram below gives the overall dimensions of the reader and may be used for its installation.

Refer to par. 3.3 for various mounting solutions and correct positioning and chp. 7 for Reading Distance considerations.

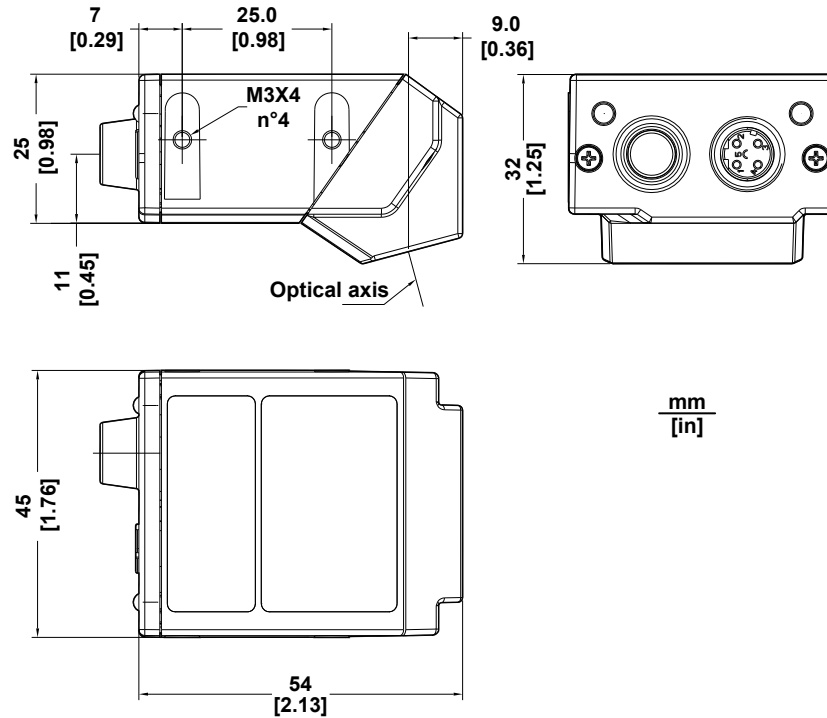


Figure 27 – Straight Model Overall Dimensions

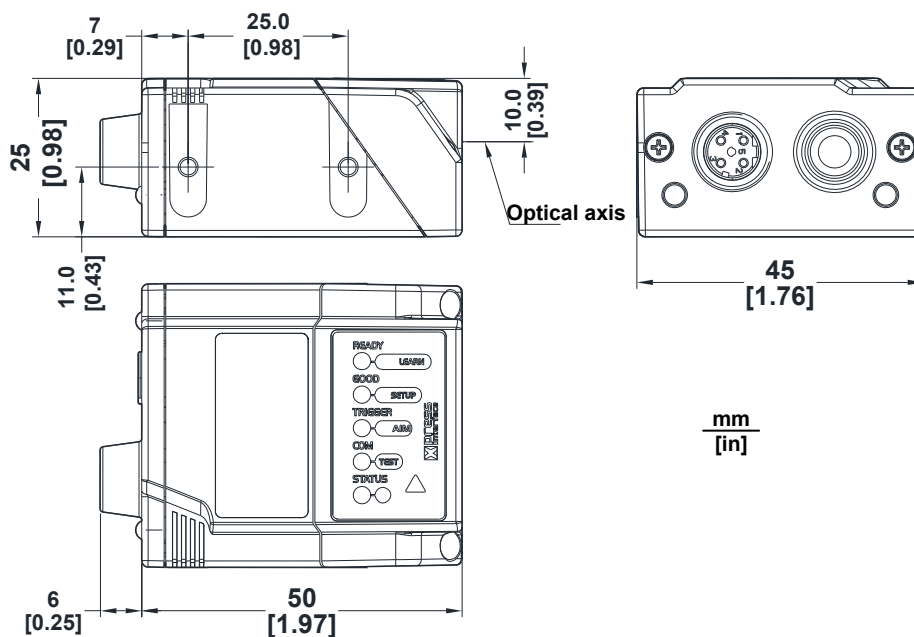


Figure 28 – 90° Model Overall Dimensions

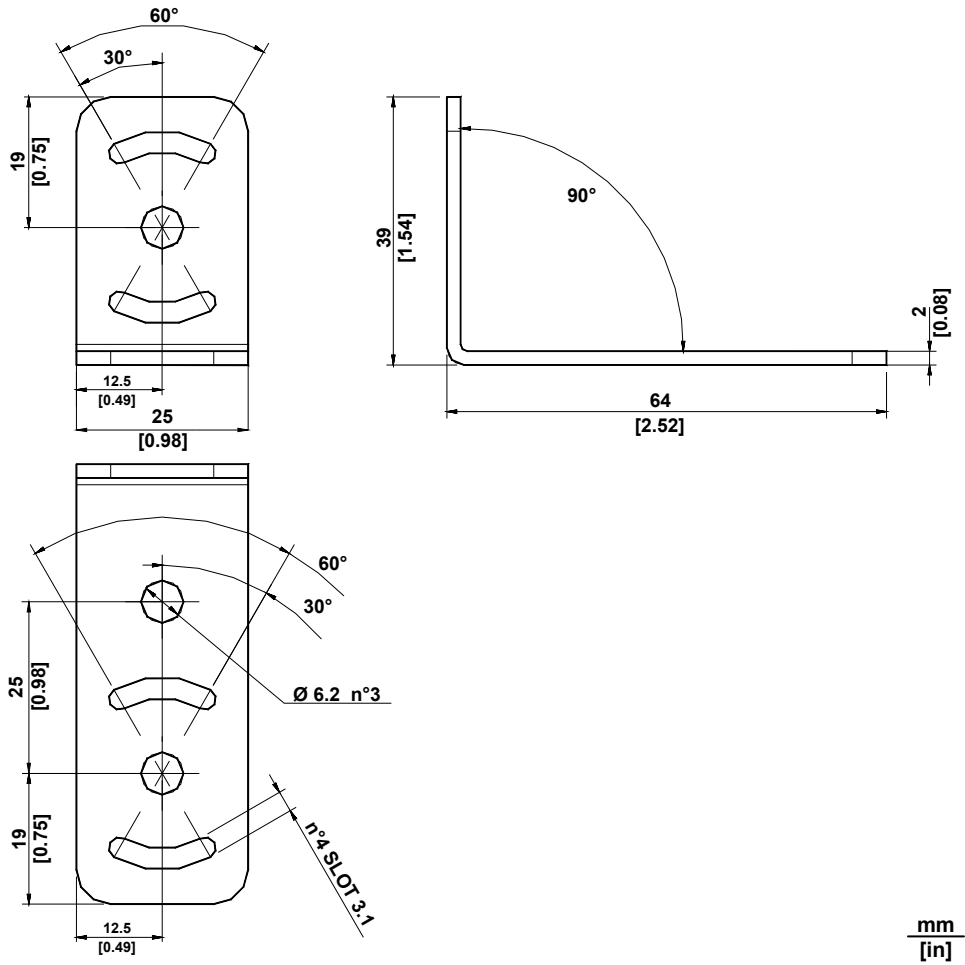


Figure 29 - ST-336 Mounting Bracket Overall Dimensions

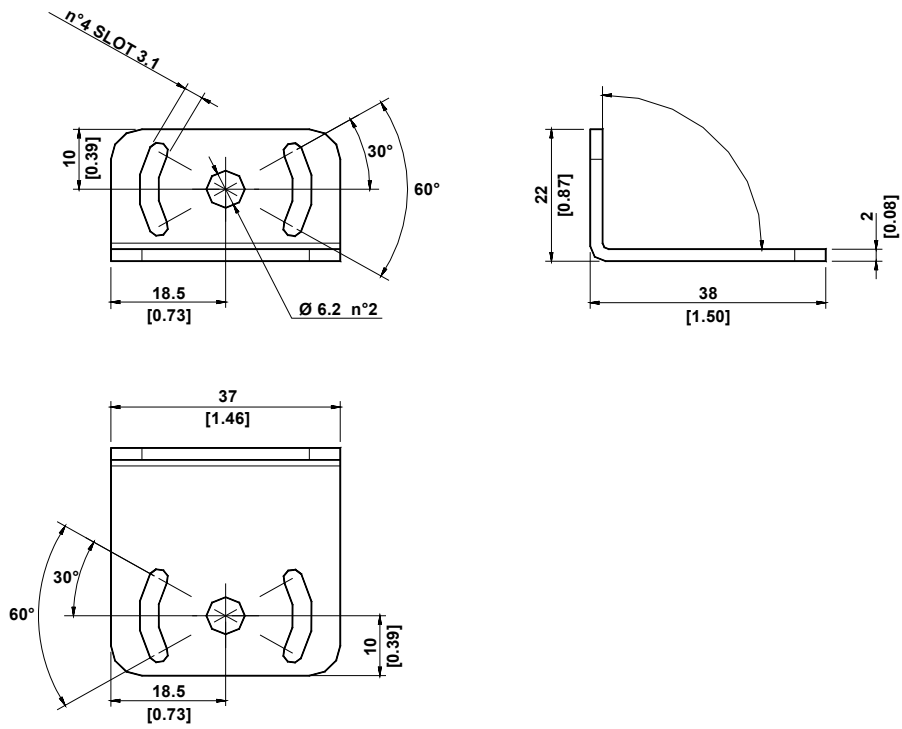


Figure 30 - ST-337 Mounting Bracket Overall Dimensions

3.3 MOUNTING AND POSITIONING MATRIX 210™

Using the Matrix 210™ mounting brackets you can obtain rotation on the various axes of the reader as shown in the diagrams below:

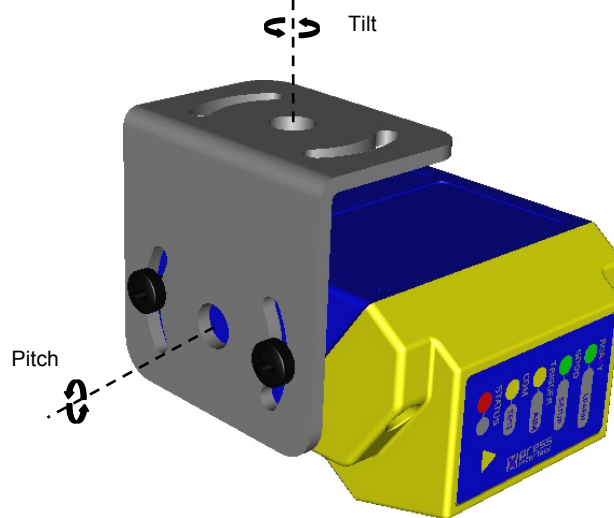


Figure 31 –90° Model with ST-337 Mounting Bracket - Internal Positioning

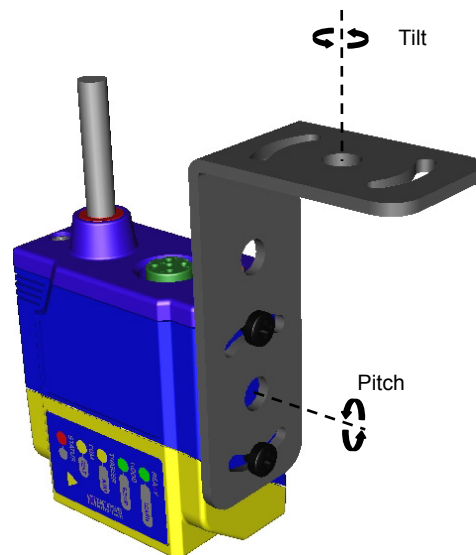


Figure 32 –Straight Model with ST-336 Mounting Bracket - Internal Positioning

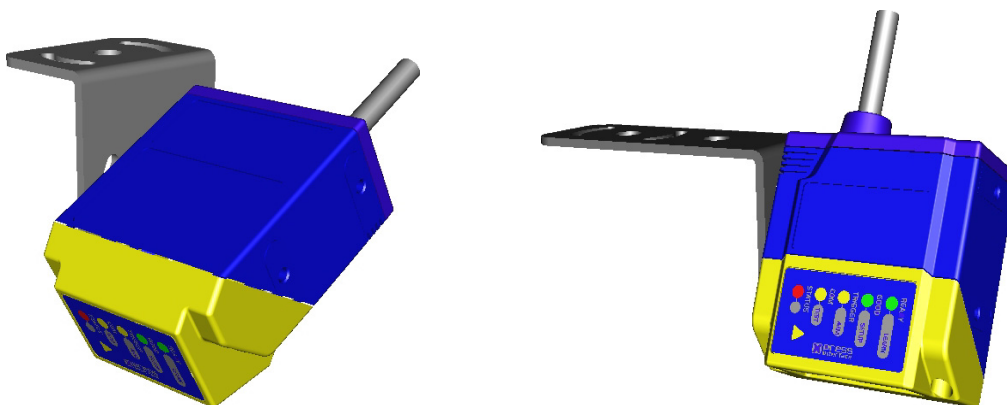


Figure 33 –Mounting Bracket External Positioning

Matrix 210™ is able to decode code labels at a variety of angles, however significant angular distortion may degrade reading performance.

When mounting Matrix 210™, take into consideration these **ideal** label position angles: **Pitch or Skew 10° to 20° and Tilt 0°.**

Note: Since Matrix 210™ is omni-directional on the code plane, the Pitch and Skew angles have the same significance with respect to the code plane. However in some advanced code reading applications performance can be improved by modifying the Pitch angle.

Follow the suggestions below for the best orientation:

The **Pitch and Skew** angles are represented by the values **P** and **S** in Figure 34 and in Figure 35. Position the reader in order to avoid the direct reflection of the light emitted by the Matrix 210™ reader; it is advised to **assure at least 10°** for one of these angles. In some cases, such as low contrast or low illumination, it can be useful to use a **Pitch or Skew** angle = 0°.

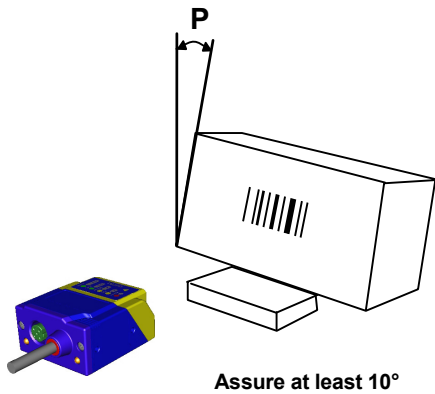


Figure 34 - Pitch angle

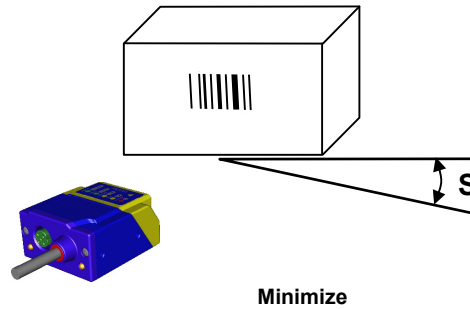


Figure 35 - Skew angle

The **Tilt** angle is represented by the value **T** in Figure 36. Matrix 210™ can read labels with any tilt angle.

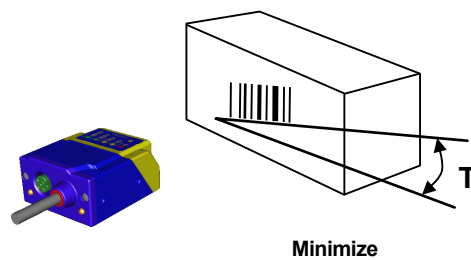


Figure 36 - Tilt angle

See chp. 7 for FOV and Reading Distance considerations.

4 CBX ELECTRICAL CONNECTIONS

All Matrix 210™ 25-pin models can be directly connected to a CBX connection box.

We recommend making system connections through one of the CBX connection boxes since they offer the advantages of easy connection, easy device replacement and filtered reference signals.




NOTE

If you require direct wiring to the reader the details of the connector pins and relative connections are indicated in Chapter 5.

The table below gives the pinout of the CBX100/500 terminal block connectors. Use this pinout when the Matrix 210™ reader is connected by means of the CBX100/500:

CBX100/500 Terminal Block Connectors			
Input Power			
Vdc	Power Supply Input Voltage +		
GND	Power Supply Input Voltage -		
Earth	Protection Earth Ground		
Inputs			
+V	Power Source – External Trigger		
I1A	External Trigger A (polarity insensitive)		
I1B	External Trigger B (polarity insensitive)		
-V	Power Reference – External Trigger		
+V	Power Source – Inputs		
I2A	Input 2 A (polarity insensitive)		
I2B	Input 2 B (polarity insensitive)		
-V	Power Reference – Inputs		
Outputs			
+V	Power Source - Outputs		
-V	Power Reference - Outputs		
O1+	Output 1 +		
O1-	Output 1 -		
O2+	Output 2 +		
O2-	Output 2 -		
Auxiliary Interface			
TX	Auxiliary Interface TX		
RX	Auxiliary Interface RX		
SGND	Auxiliary Interface Reference		
ID-NET™			
REF	Network Reference		
ID+	ID-NET™ network +		
ID-	ID-NET™ network -		
Shield	Network Cable Shield		
Main Interface			
	RS232	RS485 Full-Duplex	RS485 Half-Duplex
	TX	TX+	RTX+
	RX	*RX+	
	RTS	TX-	RTX-
	CTS	*RX-	
	SGND	SGND	SGND

* Do not leave floating, see par. 4.2.2 for connection details.

 **NOTE** To avoid electromagnetic interference when the reader is connected to a CBX connection box, verify the jumper positions in the CBX as indicated in its Installation Manual.

4.1 POWER SUPPLY

Power can be supplied to the reader through the CBX100/500 spring clamp terminal pins as shown in Figure 37:

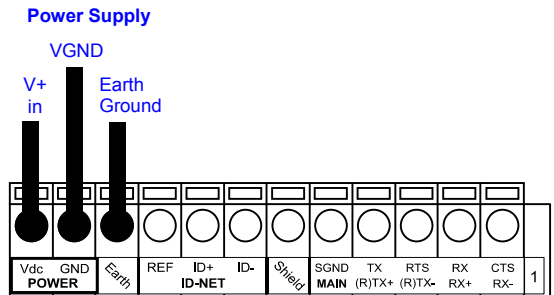



Figure 37 - Power Supply Connections

The power must be between 10 and 30 Vdc only.

It is recommended to connect the device CHASSIS to earth ground (Earth) by setting the appropriate jumper in the CBX connection box. See the CBX Installation Manual for details.

4.2 MAIN SERIAL INTERFACE

 **CAUTION** Do not connect to the Main Interface spring clamp terminals if using Host Interface Modules (Fieldbus) with the CBX500.

The signals relative to the following serial interface types are available on the CBX spring clamp terminal blocks.

The main serial interface type and its parameters (baud rate, data bits, etc.) can be defined by the user via VisiSet™ software. The RS485 half duplex is automatically set whenever MUX32 communication protocol is enabled. For more details refer to the "Communication" folder in the VisiSet™ Help On Line.

Details regarding the connections and use of the interfaces are given in the next paragraphs.

4.2.1 RS232 Interface

The RS232 interface can be used for Point-to-Point, Pass Through or Master/Slave connections. When it is connected to the host computer it allows both transmission of code data and reader configuration by VisiSet™.

The following pins are used for RS232 interface connection:

CBX100/500	Function
TX	Transmit Data
RX	Receive Data
RTS	Request To Send
CTS	Clear To Send
SGND	Signal Ground

It is always advisable to use shielded cables. The overall maximum cable length must be less than 15 m (49.2 ft).

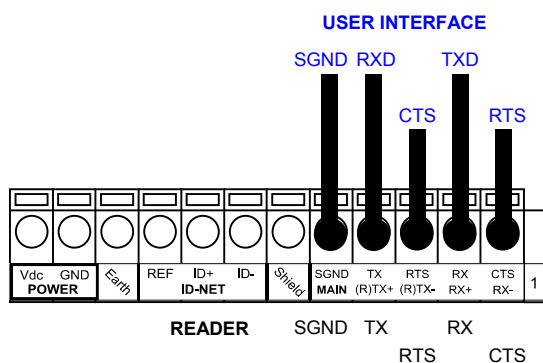


Figure 38 – RS232 Main Interface Connections Using Hardware Handshaking

The RTS and CTS signals control data transmission and synchronize the connected devices.

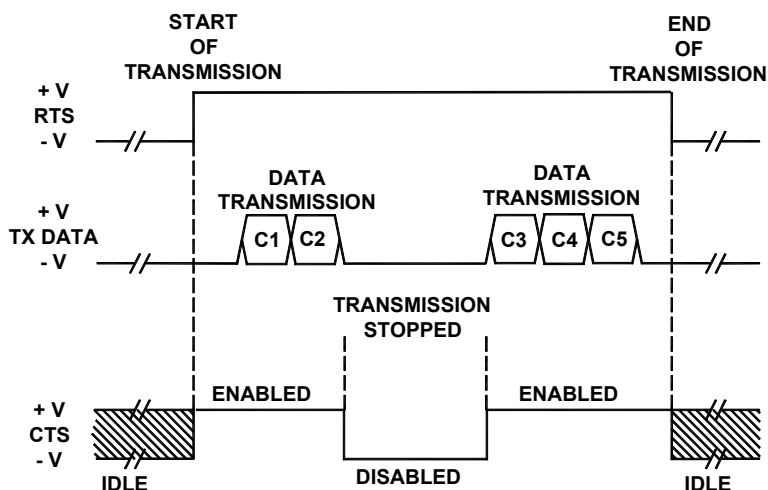


Figure 39 - RS232 Control Signals

If the RTS/CTS handshaking protocol is enabled, the Matrix 210™ activates the RTS output to indicate a message is to be transmitted. The receiving unit activates the CTS input to enable the transmission.

4.2.2 RS485 Full-Duplex Interface

The RS485 full-duplex (5 wires + shield) interface is used for non-pollled communication protocols in point-to-point connections over longer distances (max 1200 m / 3940 ft) than those acceptable for RS232 communications or in electrically noisy environments.

The CBX pinout follows:

CBX100/500	Function
TX+	RS485 Transmit Data +
RX+	RS485 Receive Data +
TX-	RS485 Transmit Data -
RX-	RS485 Receive Data -
SGND	Signal Ground

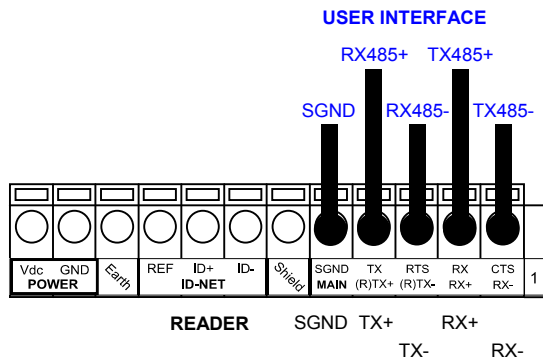



Figure 40 - RS485 Full-duplex Connections

NOTE  For applications that do not use RX485 signals, do not leave these lines floating but connect them to SGND as shown below.

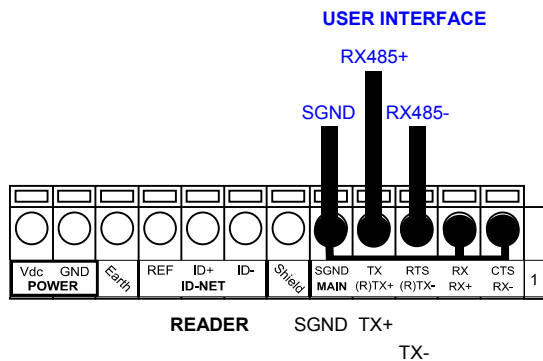


Figure 41 - RS485 Full-duplex Connections using Only TX Signals

4.2.3 RS485 Half-Duplex Interface



NOTE

This interface is provided for backward compatibility. We recommend using the more efficient ID-NET™ network for Master/Slave or Multiplexer layouts.

The RS485 half-duplex (3 wires + shield) interface is used for polled communication protocols.

It can be used for Multidrop connections with a Datalogic Multiplexer, (see par. 6.5) exploiting a proprietary protocol based on polled mode called MUX32 protocol, where a master device polls slave devices to collect data.

CBX100/500	Function
RTX+	RS485 Receive/Transmit Data +
RTX-	RS485 Receive/Transmit Data -
SGND	Signal Ground

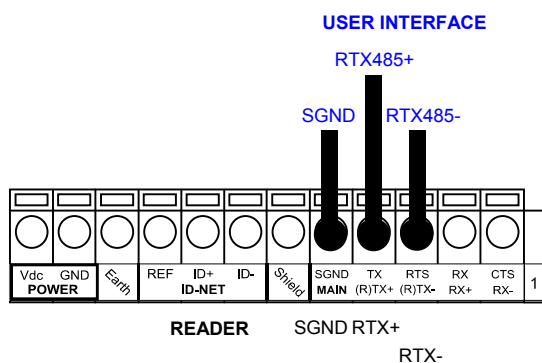


Figure 42 - RS485 Half-duplex Connections

This interface is forced by software when the protocol selected is MUX32 protocol.

In a Multiplexer layout, the Multidrop address must also be set via serial channel by the VisiSet™ utility or by the Host Programming Mode.

Figure 43 shows a multidrop configuration with Matrix 210™ readers connected to a Multiplexer.



CAUTION

This is an example of multidrop wiring. Consult the multiplexer manual for complete wiring instructions.

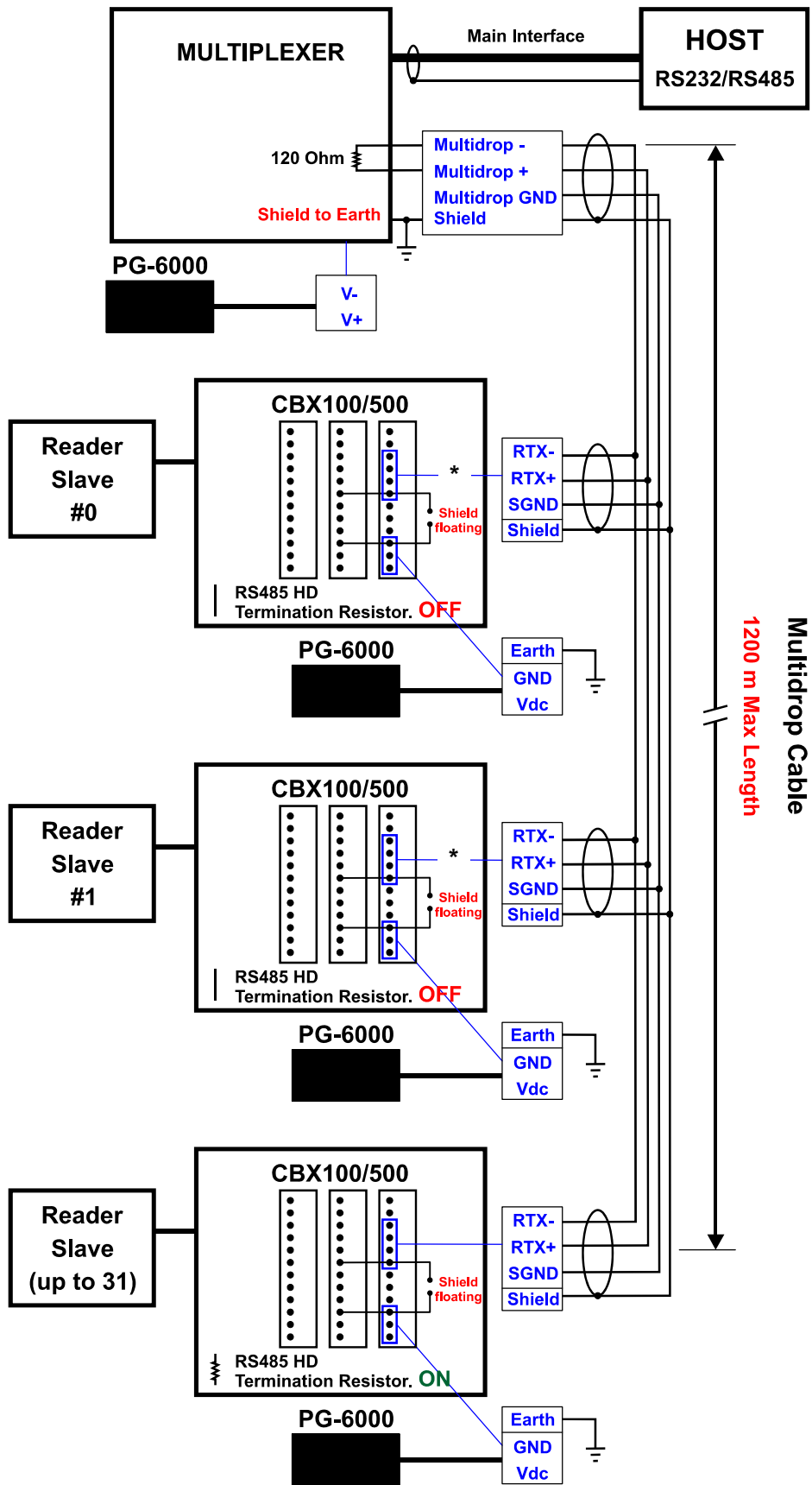


Figure 43 - Matrix 210™ Multidrop Connection to a Multiplexer

* When using CBX500, the Main interface multidrop network signals: Shield, SGND, RTX+ and RTX- are repeated on terminal connector row 4 to facilitate system cabling.

4.3 ID-NET™ INTERFACE

CBX100/500	Function
Shield	Network Cable Shield
ID+	ID-NET™ network +
ID-	ID-NET™ network -
REF	Network Reference

4.3.1 ID-NET™ Cables

The following instructions are referred to Figure 45, Figure 46 and Figure 47.

- The general cable type specifications are: CAT5 twisted pair + additional CAT5 twisted pair, shielded cable AWG 24 (or AWG 22) stranded flexible.

We recommend using DeviceNet cables (drop or trunk type) to the following reference standards:

AN50325 – IEC 62026

UL STYLE 2502 80°C 30V

- Cable Shield MUST be connected to earth ground ONLY at the Master.
- NEVER use ID-NET™ cable shield as common reference.
- The ID-NET™ max cable length depends on the baudrate used, (see the Baudrate Table below).
- For Common Power Connections use only 2 wires (ID+ and ID-).
 - DC Voltage Power cable (Vdc – GND) should be handled as a signal cable (i.e. do not put it together with AC cable):
 - Wire dimensioning must be checked in order to avoid voltage drops greater than 0.8 Volts.
 - Cable should lie down as near as possible to the ID-NET™ cable (avoiding wide loops between them).
- Reader's chassis may be connected to earth.
- Network inside the same building.

Baudrate Table				
Baud Rate	125 kbps	250 kbps	500 kbps	1Mbps
Cable Length	1200 m	900 m	700 m	*

* Application dependent, contact your Datalogic Automation representative for details.



NOTE

The default ID-NET™ baudrate is 500 kbps. Lower ID-NET™ baudrates allow longer cable lengths. The baudrate is software configurable by authorized Datalogic Automation personnel only.

4.3.2 ID-NET™ Response Time

The following figure shows the response time of the ID-NET™ network. This time is defined as the period between the Trigger activation and the beginning of data transmission to the Host.

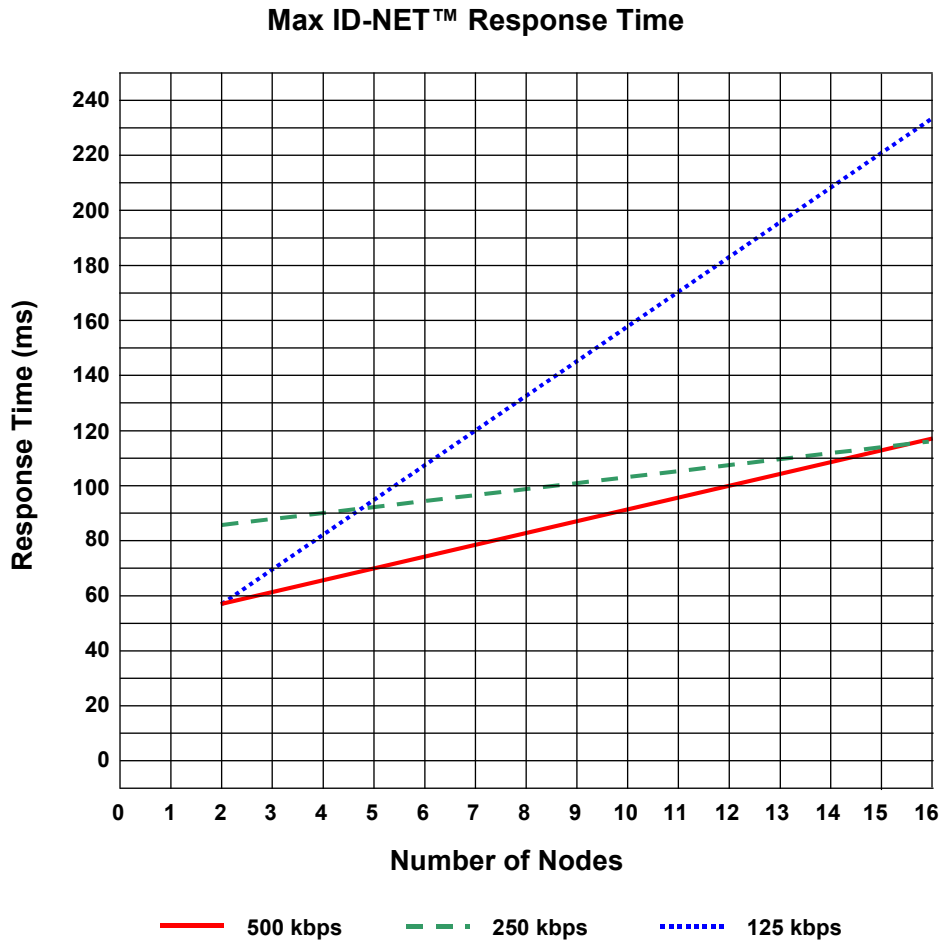


Figure 44 – ID-NET™ Response Time

CONDITIONS:

- ID-NET™ M/S Synchronized layout
- message length = 50 bytes per node

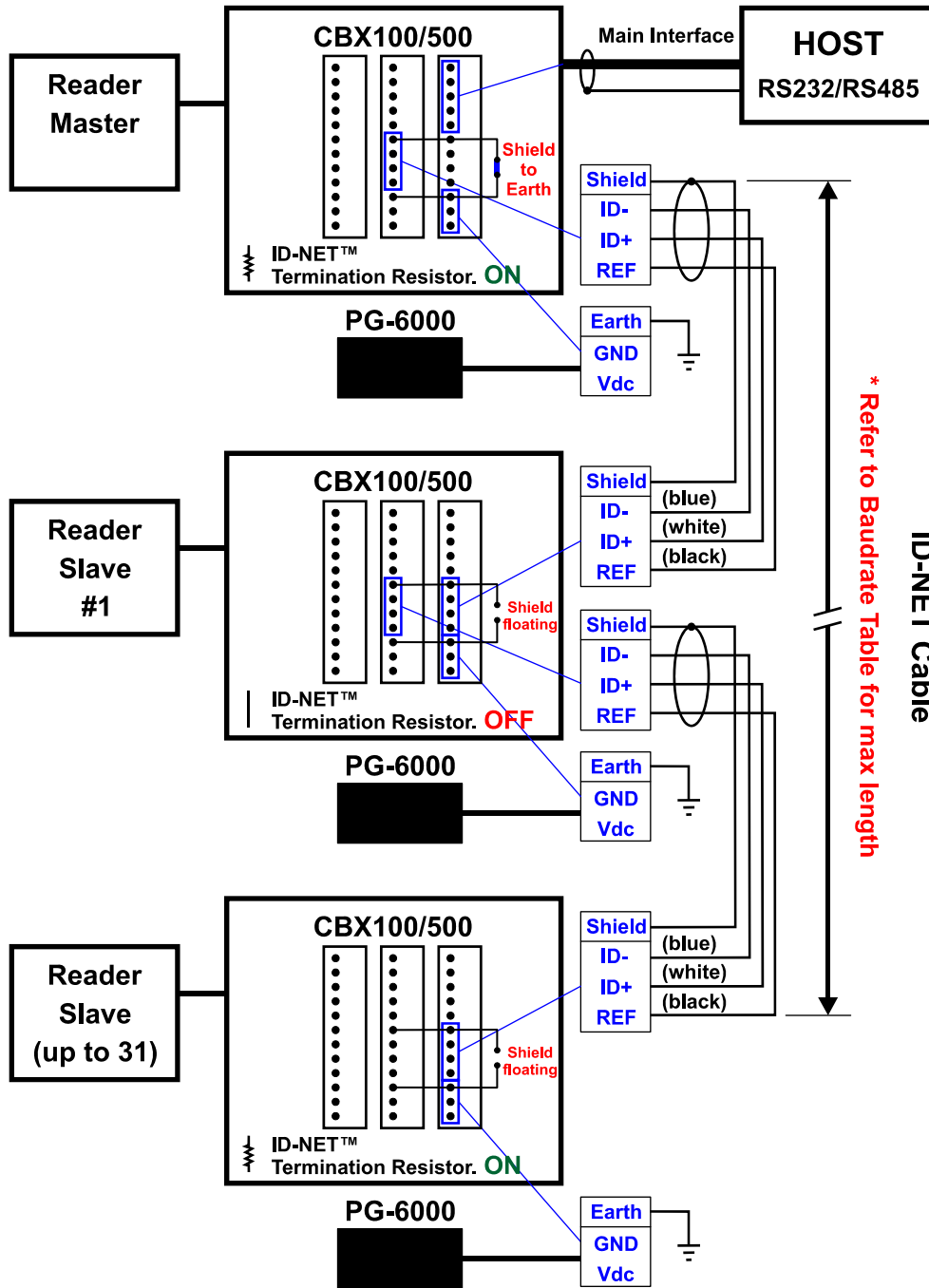


Figure 45 – ID-NET™ Network Connections with isolated power blocks

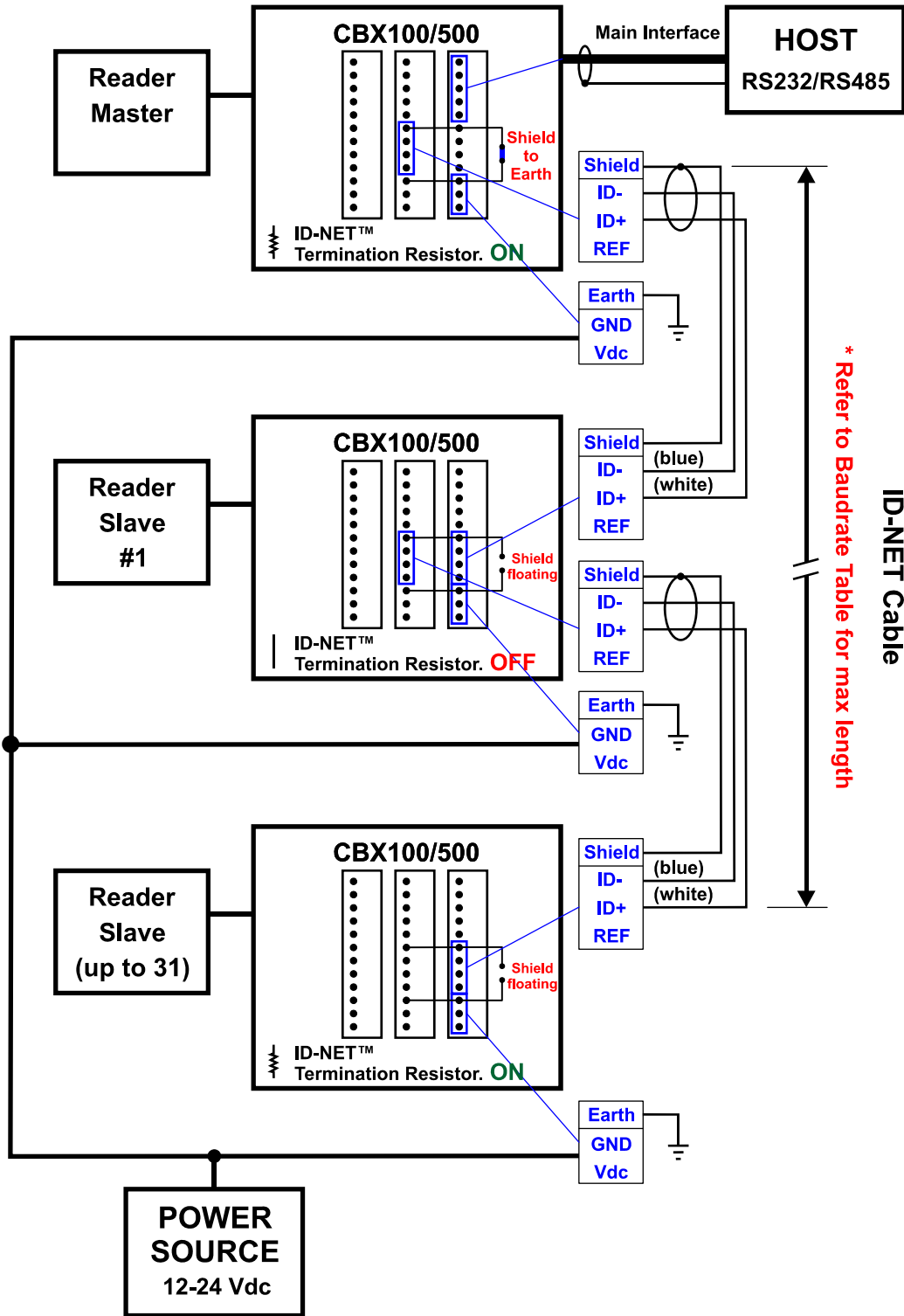


Figure 46 - ID-NET™ Network Connections with Common Power Branch Network

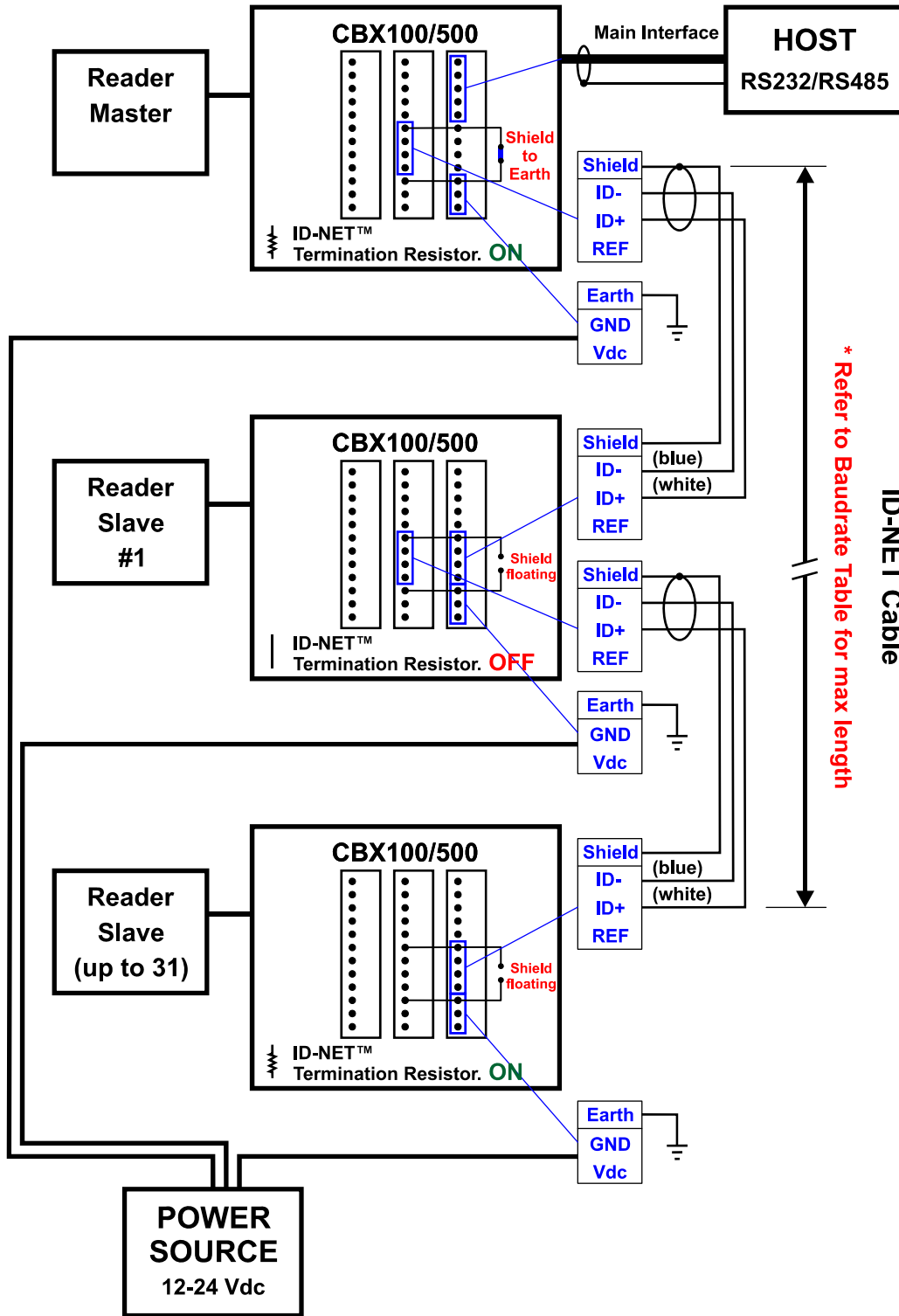


Figure 47 – ID-NET™ Network Connections with Common Power Star Network

4.3.3 ID-NET™ Network Termination

The network must be properly terminated in the first and last reader of the network. This is done by setting the ID-NET™ Termination Resistance Switch in the CBX100/500 to ON.

4.4 AUXILIARY RS232 INTERFACE

The RS232 auxiliary interface is available for Point-to-Point, Pass Through or Master/Slave connections. When it is connected to the host computer it allows both transmission of code data and reader configuration by VisiSet™.

The parameters relative to the aux interface (baud rate, data bits, etc.) as well as particular communication modes such as LOCAL ECHO can be defined through the Communication folder of the VisiSet™ utility program.

The 9-pin female Auxiliary Interface connector inside the CBX is the preferred connector for device configuration or communication monitoring.

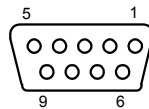


Figure 48 - 9-pin female connector

If permanent system wiring is required, the following pins are used to connect the RS232 auxiliary interface:

CBX100/500	Function
RX	Auxiliary Interface Receive Data
TX	Auxiliary Interface Transmit Data
SGND	Auxiliary Interface Reference

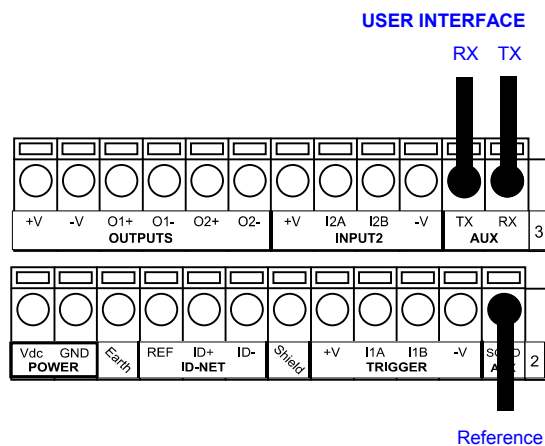


Figure 49 - RS232 Auxiliary Interface Connections

NOTE Do not connect the Aux Interface to the CBX spring clamp connectors and the 9-pin connector simultaneously.

4.5 INPUTS

There are two optocoupled polarity insensitive inputs available on the reader: Input 1 (External Trigger) and Input 2, a generic input:

The External Trigger can be used in One Shot Mode or in Phase Mode. Its main functions are:

- acquisition trigger in One Shot Mode
- reading phase-ON/reading phase-OFF command in Phase Mode

The main functions of the general purpose Input 2 are:

- second external trigger in Phase Mode
- match code storage command when the Match Code option is enabled

The electrical features of both inputs are:

$$V_{AB} = 30 \text{ Vdc max.}$$

$$I_{IN} = 12 \text{ mA (reader) + 12 mA (CBX) max.}$$

The active state of these inputs are selected in software. Refer to the VisiSet™ Help On Line.

An anti-disturbance filter is implemented in software on both inputs so that the minimum pulse duration is $\cong 0.5$ milliseconds. This value can be increased through the software parameter Debounce Filter, see the Digital I/O folder in the VisiSet™ Help On Line for further details.

These inputs are optocoupled and can be driven by both NPN and PNP type commands.



NOTE


Polarity insensitive inputs assure full functionality even if pins A and B are exchanged.

The connections are indicated in the following diagrams:

CBX100/500	Function
+V	Power Source - External Trigger
I1A	External Trigger A (polarity insensitive)
I1B	External Trigger B (polarity insensitive)
-V	Power Reference - External Trigger

The yellow Trigger LED (Figure 16, 5) is on when the active state of the External Trigger corresponds to ON.

EXTERNAL TRIGGER INPUT CONNECTIONS USING MATRIX 210™ POWER



CAUTION

Power is available directly to the Input Device, independently from the Power Supply Switch inside the CBX.

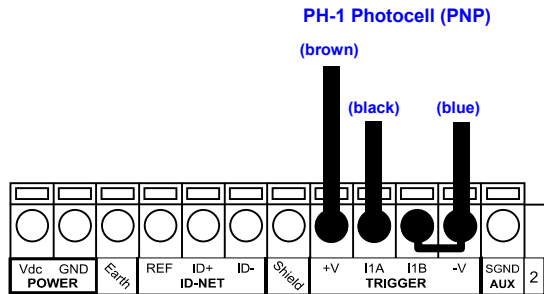


Figure 50 – PH-1 External Trigger Using Matrix 210™ Power

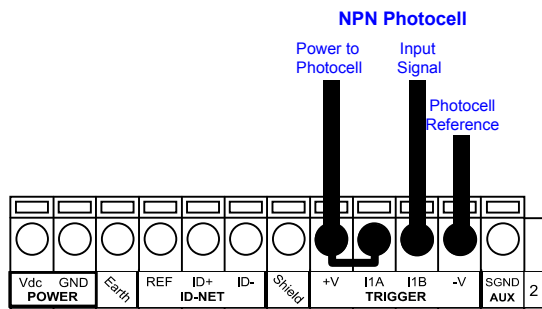


Figure 51 - NPN External Trigger Using Matrix 210™ Power

EXTERNAL TRIGGER INPUT CONNECTIONS USING EXTERNAL POWER

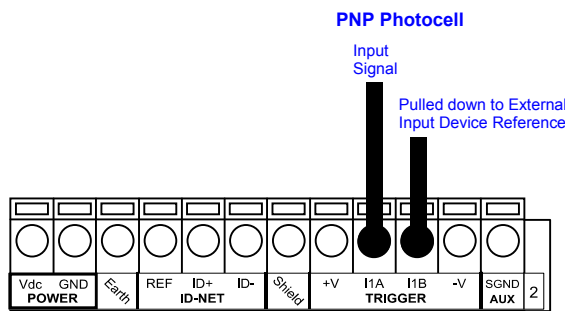


Figure 52 - PNP External Trigger Using External Power

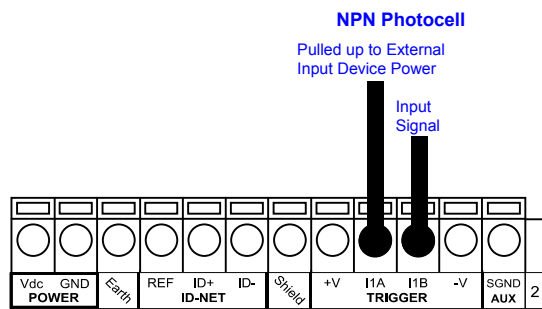



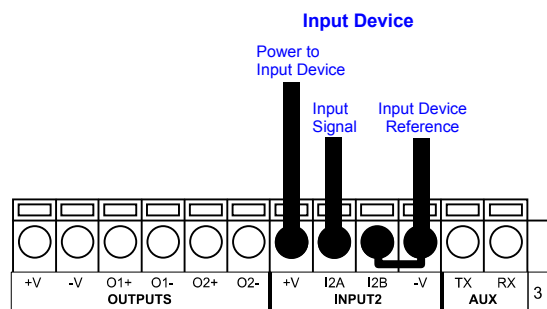
Figure 53 - NPN External Trigger Using External Power

CBX100/500	Function
+V	Power Source - Inputs
I2A	Input 2 A (polarity insensitive)
I2B	Input 2 B (polarity insensitive)
-V	Power Reference - Inputs

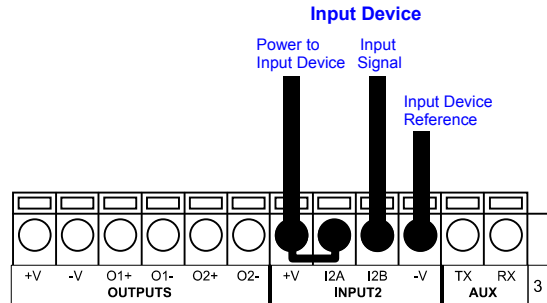
INPUT 2 CONNECTIONS USING MATRIX 210™ POWER



CAUTION *Power is available directly to the Input Device, independently from the Power Supply Switch inside the CBX.*



PNP Input 2 Using Matrix 210™ Power



NPN Input 2 Using Matrix 210™ Power

INPUT 2 CONNECTIONS USING EXTERNAL POWER

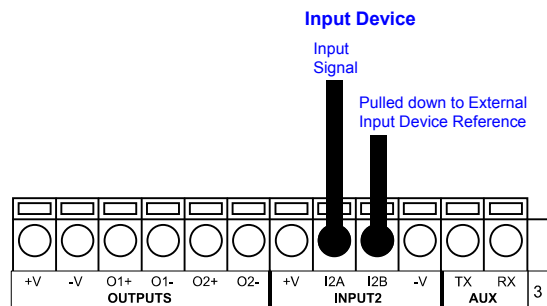


Figure 54 - PNP Input 2 Using External Power

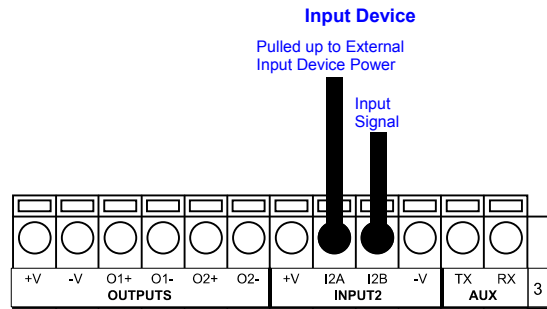


Figure 55 - NPN Input 2 Using External Power

4.6 OUTPUTS

Two optocoupled general purpose outputs are available. The meaning of the two outputs Output 1 and Output 2 can be defined by the user. They are typically used either to signal the data collection result or to control an external lighting system.

CBX100/500	Function
+V	Power Source - Outputs
O1+	Output 1 +
O1-	Output 1 -
O2+	Output 2 +
O2-	Output 2 -
-V	Power Reference Outputs

The electrical features of the two outputs are the following:


$$V_{CE} = 30 \text{ Vdc max.}$$

$$I_{CE} = 40 \text{ mA continuous max.; } 130 \text{ mA pulsed max.}$$

By default, Output 1 is associated with the Partial Read and No Read events, which activates when the code(s) signaled by the external trigger are not decoded, and Output 2 is associated with the Complete Read event, which activates when all the selected codes are correctly decoded.

The output signals are fully programmable being determined by the configured Activation/Deactivation events, Deactivation Timeout or a combination of the two. Refer to the Digital I/O folder in the VisiSet™ Help On Line for further details.

OUTPUT CONNECTIONS USING MATRIX 210™ POWER



CAUTION *Power is available directly to the Output Device, independently from the Power Supply Switch inside the CBX.*

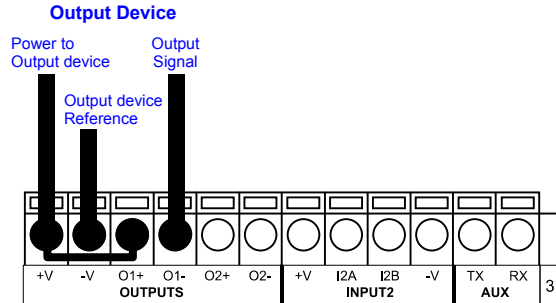


Figure 56 - Open Emitter Output Using Matrix 210™ Power

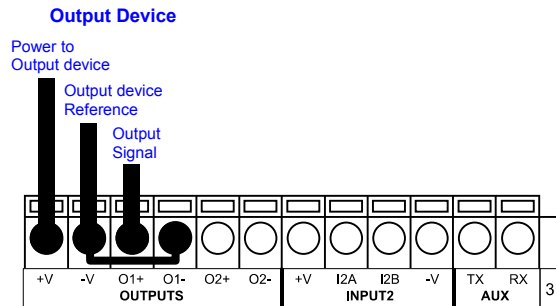


Figure 57 - Open Collector Output Using Matrix 210™ Power

OUTPUT CONNECTIONS USING EXTERNAL POWER

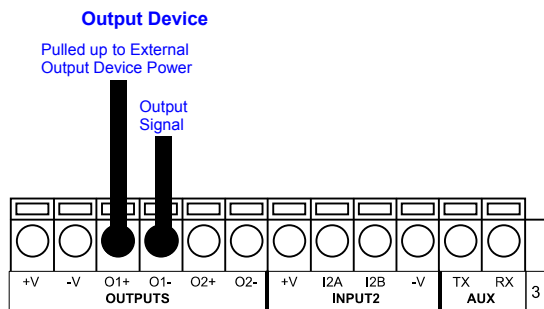


Figure 58 - Output Open Emitter Using External Power

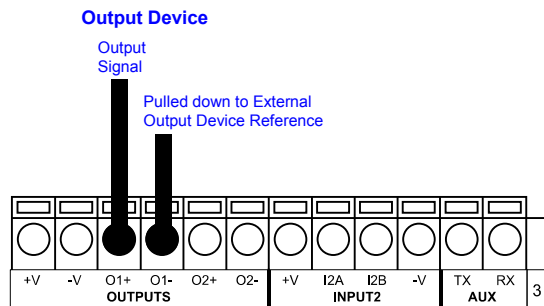
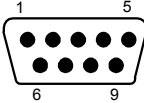
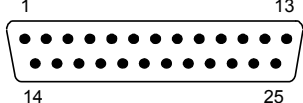


Figure 59 - Output Open Collector Using External Power

4.7 USER INTERFACE - HOST

The following table contains the pinout for standard RS232 PC Host interface. For other user interface types please refer to their own manual.

RS232 PC-side connections			
			
9-pin male connector		25-pin male connector	
Pin	Name	Pin	Name
2	RX	3	RX
3	TX	2	TX
5	GND	7	GND
7	RTS	4	RTS
8	CTS	5	CTS

5 25-PIN CABLE ELECTRICAL CONNECTIONS

5.1 25-PIN CONNECTOR

The Matrix 210™ reader is equipped with a 25-pin male D-sub connector for connection to the power supply, serial interfaces and input/output signals. The details of the connector pins are indicated in the following table:

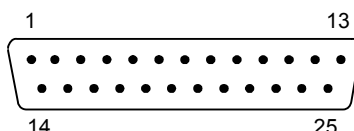


Figure 60 - 25-pin Male D-sub Connector

25-pin D-sub male connector pinout				
Pin	Name	Function		
13, 9	Vdc	Power supply input voltage +		
25, 7	GND	Power supply input voltage -		
1	CHASSIS	Cable shield connected to chassis		
18	I1A	External Trigger A (polarity insensitive)		
19	I1B	External Trigger B (polarity insensitive)		
6	I2A	Input 2 A (polarity insensitive)		
10	I2B	Input 2 B (polarity insensitive)		
8	O1+	Output 1 +		
22	O1-	Output 1 -		
11	O2+	Output 2 +		
12	O2-	Output 2 -		
20	RX	Auxiliary RS232 RX		
21	TX	Auxiliary RS232 TX		
23	ID+	ID-NET™ network +		
24	ID-	ID-NET™ network -		
14, 15, 16, 17	NC	Not Connected		
Pin	Name	RS232	RS485 Full-Duplex	RS485 Half-Duplex
2	MAIN INTERFACE (SW SELECTABLE)	TX	TX+	RTX+
3		RX	*RX+	
4		RTS	TX-	RTX-
5		CTS	*RX-	

* Do not leave floating, see par. 5.4.2 for connection details.

In order to meet EMC requirements:

- connect the reader chassis to the plant earth ground by means of a flat copper braid shorter than 100 mm;
- for direct connections, connect the main interface cable shield to pin 1 of the 25-pin connector.

5.2 M12-D 4-PIN CONNECTOR (ETHERNET)

In Matrix 210 21x-x1x models, an M12 D-Coded connector is provided for the on-board Ethernet connection. This interface is IEEE 802.3 10 BaseT and IEEE 802.3u 100 BaseTx compliant. See par. 5.7 for connection details.



Figure 61 - M12 D-Coded Female Ethernet Network Connector

M12 D-Coded Ethernet Network Connector pinout		
Pin	Name	Function
1	TX +	Transmitted data (+)
2	RX +	Received data (+)
3	TX -	Transmitted data (-)
4	RX -	Received data (-)

5.3 POWER SUPPLY

Power is supplied to the reader through the pins provided on the 25-pin connector (see Figure 62):

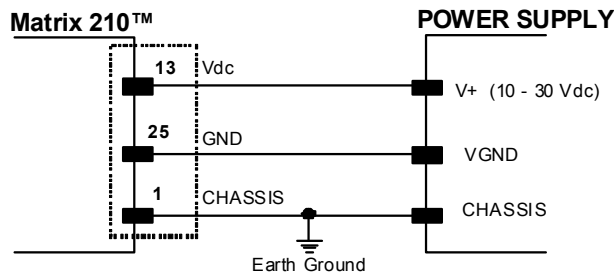


Figure 62 - Power Supply Connection

The allowed supply voltage range is 10 to 30 Vdc.

It is recommended to connect pin 1 (CHASSIS) to a common earth ground.

5.4 MAIN SERIAL INTERFACE

The signals relative to the following serial interface types are available on the 25-pin connector:

The main serial interface type and its parameters (baud rate, data bits, etc.) can be defined by the user via VisiSet™ software. The RS485 half duplex is automatically set whenever MUX32 communication protocol is enabled. For more details refer to the "Communication" folder in the VisiSet™ Help On Line.

Details regarding the connections and use of the interfaces are given in the next paragraphs.

5.4.1 RS232 Interface

The RS232 interface can be used for Point-to-Point, Pass Through or Master/Slave connections. When it is connected to the host computer it allows both transmission of code data and reader configuration by VisiSet™.

The following pins of the 25-pin connector are used for RS232 interface connection:

Pin	Name	Function
2	TX	Transmit Data
3	RX	Receive Data
4	RTS	Request To Send
5	CTS	Clear To Send
7	GND	Ground

It is always advisable to use shielded cables. The overall maximum cable length must be less than 15 m (49.2 ft).

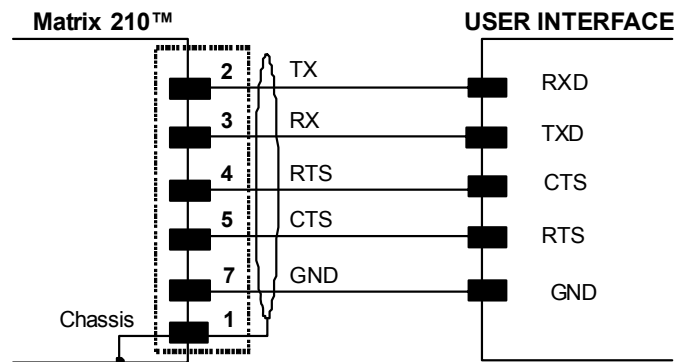


Figure 63 - RS232 Main Interface Connections Using Hardware Handshaking

The RTS and CTS signals control data transmission and synchronize the connected devices.

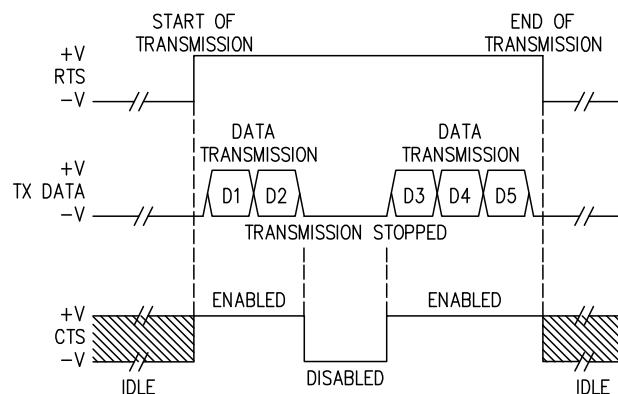


Figure 64 - RS232 Control Signals

If the RTS/CTS handshaking protocol is enabled, Matrix 210™ activates the RTS output to indicate a message is to be transmitted. The receiving unit activates the CTS input to enable the transmission.

5.4.2 RS485 Full-Duplex Interface

The RS485 full-duplex (5 wires + shield) interface is used for non-pollled communication protocols in point-to-point connections over longer distances (max 1200 m / 3940 ft) than those acceptable for RS232 communications or in electrically noisy environments.

The following pins of the 25-pin connector are used for RS485 full-duplex communication:

Pin	Name	Function
2	TX+	RS485 Transmit Data (+)
3	RX+	RS485 Receive Data (+)
4	TX-	RS485 Transmit Data (-)
5	RX-	RS485 Receive Data (-)
7	GND	Ground

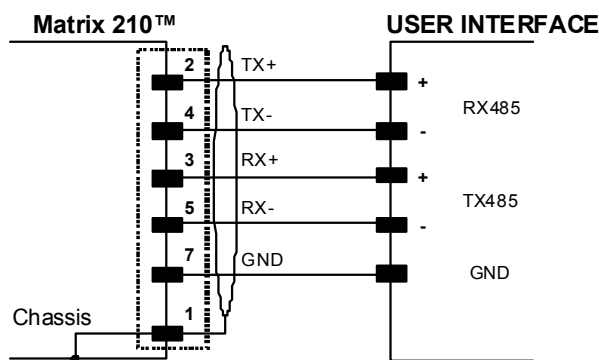


Figure 65 - RS485 Full-duplex Connections



NOTE

For applications that do not use RX485 signals, do not leave these lines floating but connect them to GND as shown below.

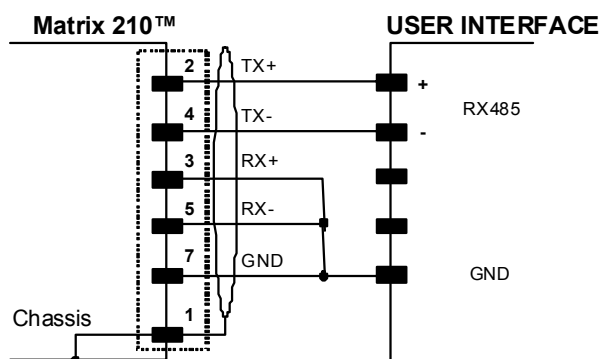


Figure 66 - RS485 Full-duplex Connections using Only TX Signals

5.4.3 RS485 Half-Duplex Interface



NOTE

This interface is provided for backward compatibility. We recommend using the more efficient ID-NET™ network for Master/Slave or Multiplexer layouts.

The RS485 half-duplex (3 wires + shield) interface is available for polled communication protocols.

It can be used for Multidrop connections with a Datalogic Multiplexer, (see par. 6.5) exploiting a proprietary protocol based on polled mode called MUX32 protocol, where a master device polls slave devices to collect data.

The following pins of the 25-pin connector are used for RS485 half-duplex communication:

Pin	Name	Function
2	RTX+	RS485 Receive/Transmit Data (+)
4	RTX-	RS485 Receive/Transmit Data (-)
7	GND	Ground

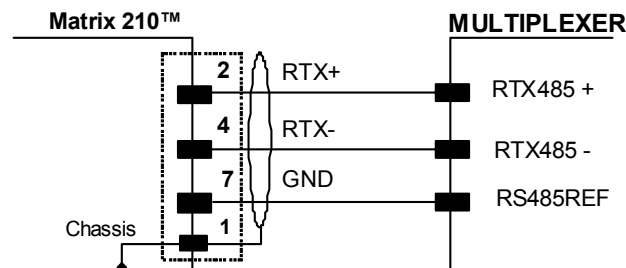



Figure 67 - RS485 Half-duplex Connections

This interface is forced by software when the protocol selected is MUX32 protocol.

In a Multiplexer layout, the Multidrop address must also be set via serial channel by the VisiSet™ utility or by the Host Programming Mode.

The figure below shows a multidrop configuration with Matrix 210™ readers connected to a Multiplexer.



CAUTION This is an example of multidrop wiring. Consult the multiplexer manual for complete wiring instructions.

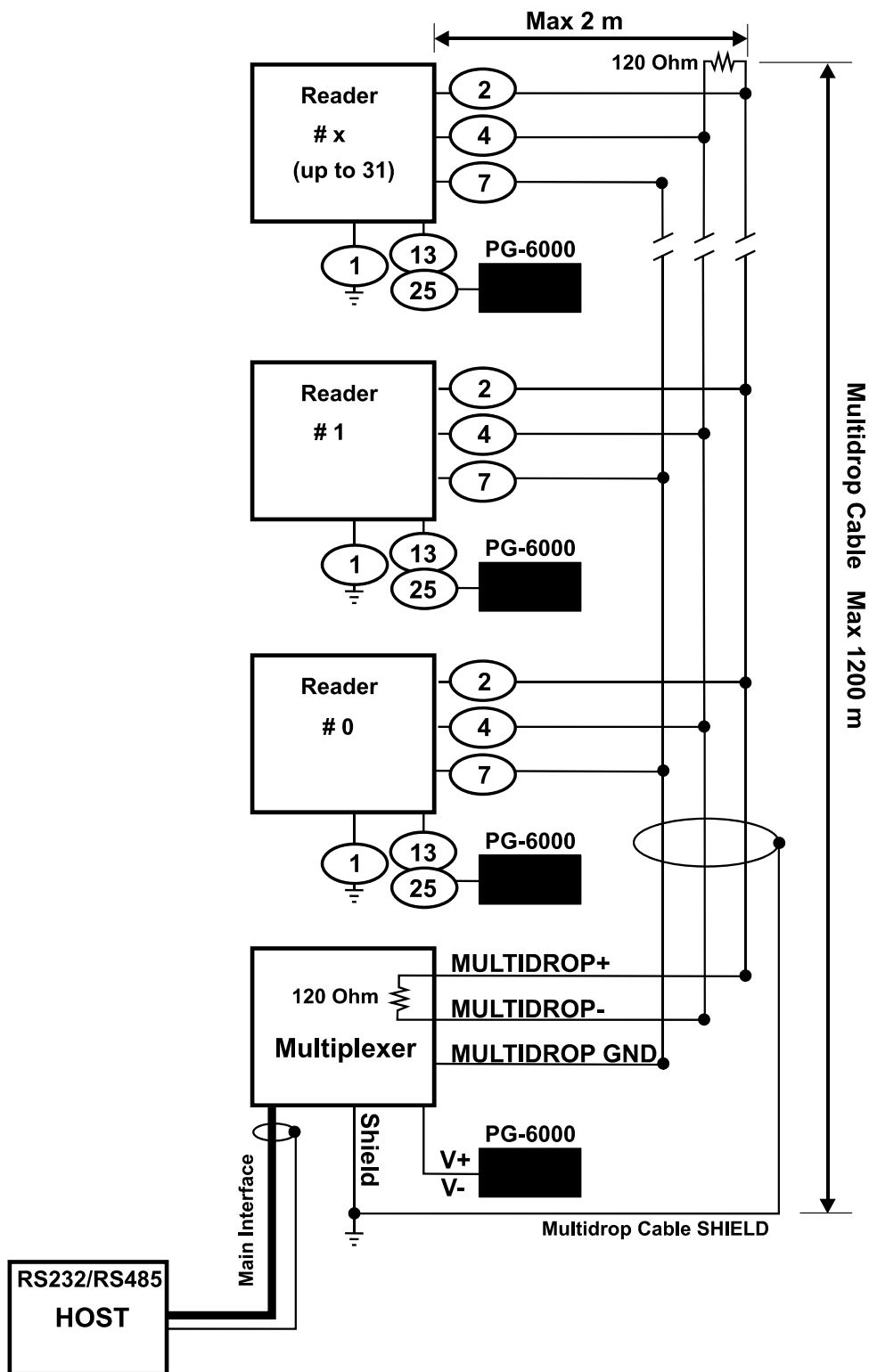


Figure 68 - Matrix 210™ Multidrop Connection to a Multiplexer

5.5 ID-NET™ INTERFACE

Pin	Name	Function
23	ID+	ID-NET™ network +
24	ID-	ID-NET™ network -
7	GND	Ground

5.5.1 ID-NET™ Cables

The following instructions are referred to Figure 70, Figure 71 and Figure 72.

- The general cable type specifications are: CAT5 twisted pair + additional CAT5 twisted pair, shielded cable AWG 24 (or AWG 22) stranded flexible.

We recommend using DeviceNet cables (drop or trunk type) to the following reference standards:

AN50325 – IEC 62026

UL STYLE 2502 80°C 30V

- Cable Shield MUST be connected to earth ground ONLY at the Master.
- NEVER use ID-NET™ cable shield as common reference.
- The ID-NET™ max cable length depends on the baudrate used, (see the Baudrate Table below).
- For Common Power Connections use only 2 wires (23 and 24).
 - DC Voltage Power cable (Vdc – GND) should be handled as a signal cable (i.e. do not put it together with AC cable):
 - Wire dimensioning must be checked in order to avoid voltage drops greater than 0.8 Volts.
 - Cable should lie down as near as possible to the ID-NET™ cable (avoiding wide loops between them).
- Reader's chassis may be connected to earth.
- Network inside the same building.

Baudrate Table				
Baud Rate	125 kbps	250 kbps	500 kbps	1Mbps
Cable Length	1200 m	900 m	700 m	*

* Application dependent, contact your Datalogic Automation representative for details.



NOTE

The default ID-NET™ baudrate is 500 kbps. Lower ID-NET™ baudrates allow longer cable lengths. The baudrate is software configurable by authorized Datalogic Automation personnel only.

5.5.2 ID-NET™ Response Time

The following figure shows the response time of the ID-NET™ network. This time is defined as the period between the Trigger activation and the beginning of data transmission to the Host.



Figure 69 – ID-NET™ Response Time

CONDITIONS:

- ID-NET™ M/S Synchronized layout
- message length = 50 bytes per node

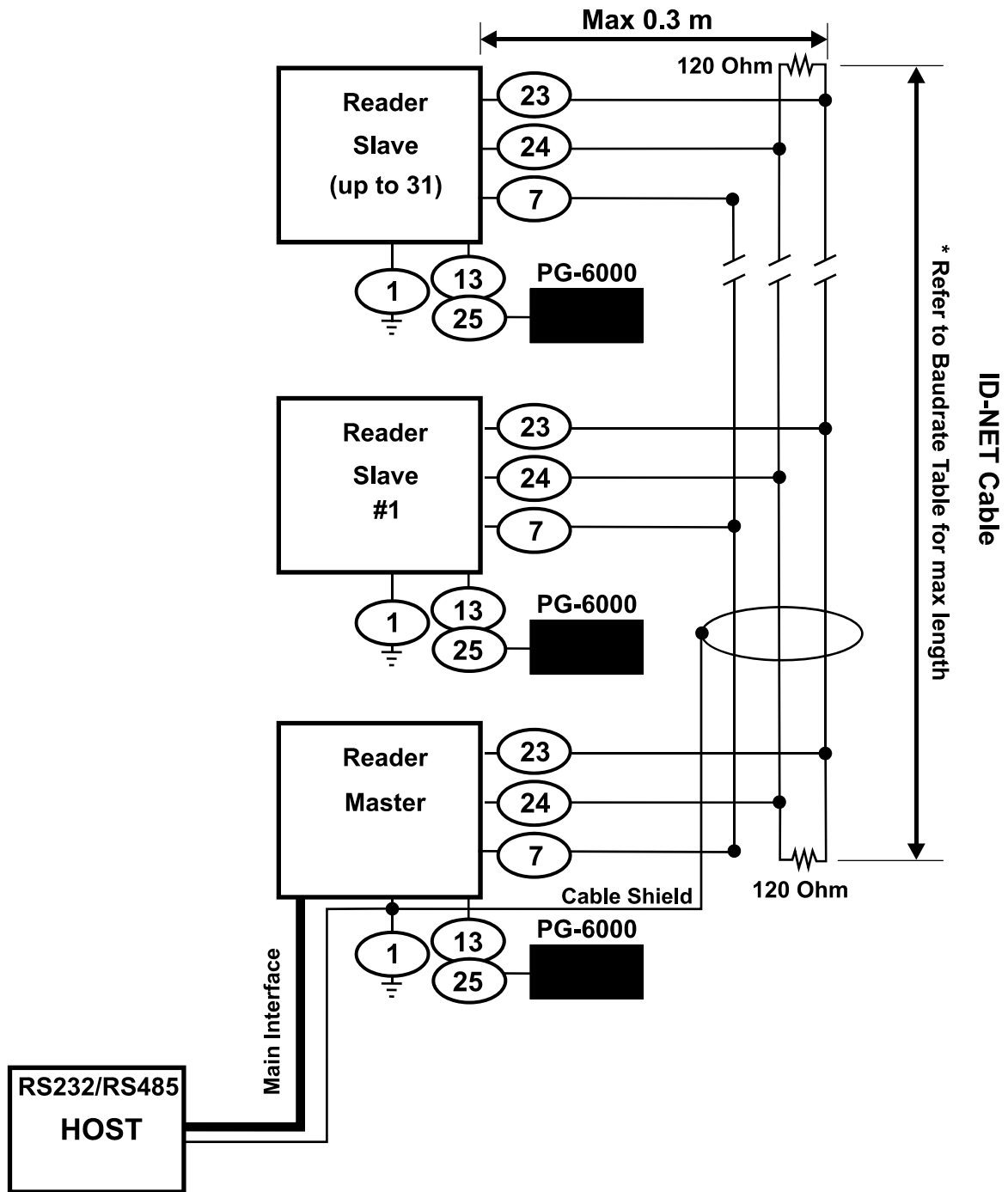


Figure 70 – ID-NET™ Network Connections with isolated power blocks

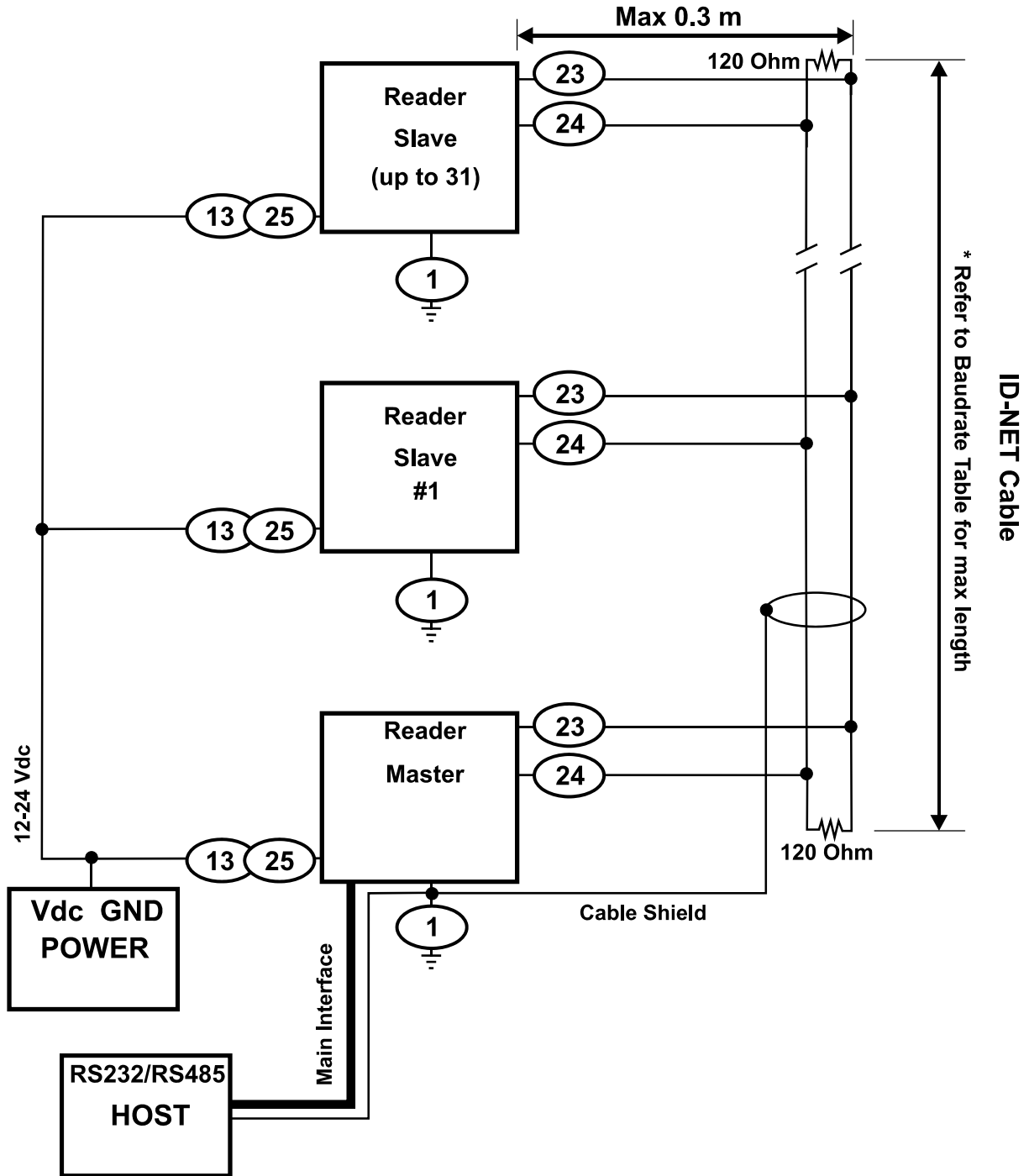


Figure 71 - ID-NET™ Network Connections with Common Power Branch Network

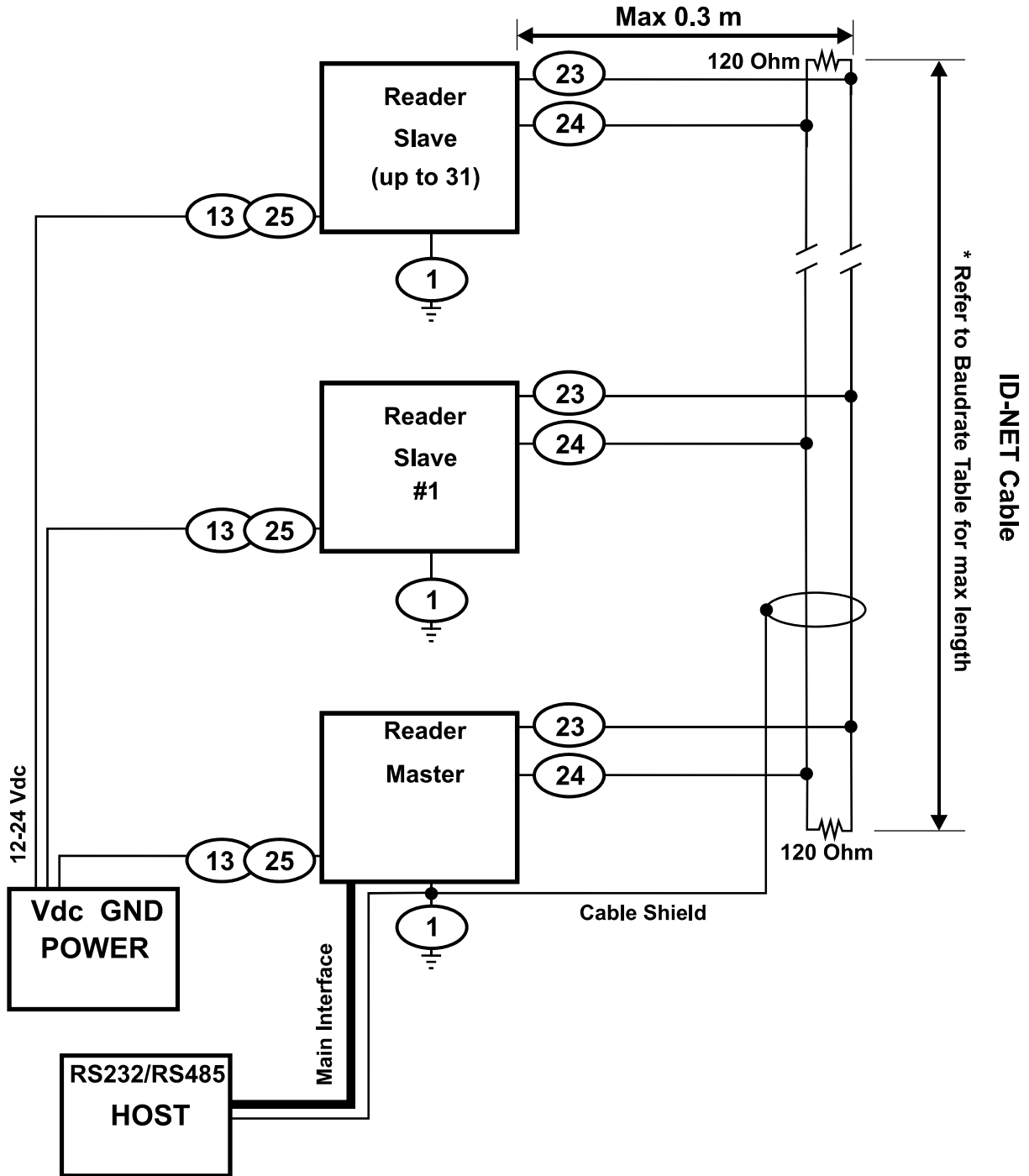


Figure 72 – ID-NET™ Network Connections with Common Power Star Network

5.5.3 ID-NET™ Network Termination

The network must be properly terminated by a 120 Ohm resistor at the first and last reader of the network.

5.6 AUXILIARY RS232 INTERFACE

The RS232 auxiliary interface is available for Point-to-Point, Pass Through or Master/Slave connections. When it is connected to the host computer it allows both transmission of code data and reader configuration by VisiSet™.

The parameters relative to the aux interface (baud rate, data bits, etc.) as well as particular communication modes such as LOCAL ECHO can be defined through the Communication folder of the VisiSet™ utility program.

The following pins of the 25-pin connector are used for auxiliary interface communication:

Pin	Name	Function
20	RX	Received data
21	TX	Transmitted data
7	GND	Ground

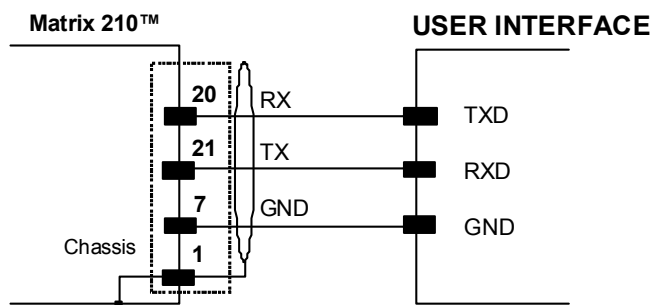


Figure 73 - RS232 Auxiliary Interface Connections Using

5.7 ETHERNET INTERFACE (MATRIX 210 21X-X1X MODELS ONLY)

The Ethernet Interface can be used for TCP/IP communication with a remote or local host computer by connecting the reader to either a LAN or directly to a host PC. There is no need to use a crossover adapter since Matrix 210™ incorporates an auto-cross function.

The following is an example of a connection to a LAN using a **CAB-ETH-M0x** cable:

M12 D-Coded Connector Pinout		
Pin	Name	Function
1	TX+	Transmitted data (positive pin)
2	RX+	Received data (positive pin)
3	TX-	Transmitted data (negative pin)
4	RX-	Received data (negative pin)

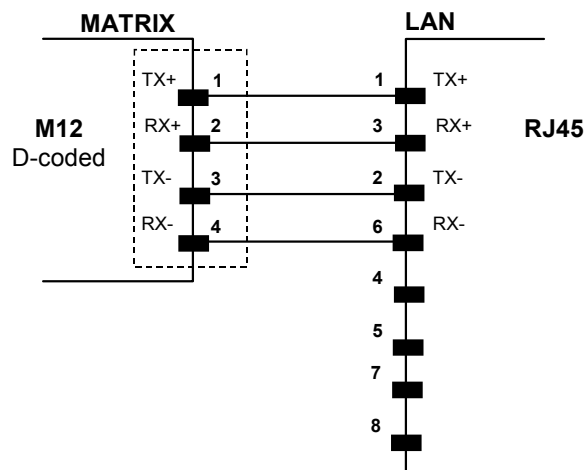


Figure 74 - Straight-Through Cable

On the Matrix 210™ Ethernet interface the following communication channels are available:

- Data Socket
- Image Socket
- WebSentinel Socket
- Image FTP Client
- HTTP Server
- Ethernet IP
- Modbus TCP

For further details refer to the Ethernet Folder in the VisiSet™ Help On Line and to the "Matrix Ethernet Service Guide.pdf" document provided as supplementary documentation.

5.8 INPUTS

There are two optocoupled polarity insensitive inputs available on the 25-pin connector of the reader: Input 1 (External Trigger) and Input 2, a generic input:

The External Trigger can be used in One Shot Mode or in Phase Mode. Its main functions are:

- acquisition trigger in One Shot Mode
- reading phase-ON/reading phase-OFF command in Phase Mode

The main functions of the general purpose Input 2 are:

- second external trigger in Phase Mode
- match code storage command when the Match Code option is enabled

The electrical features of both inputs are:

Maximum voltage:	30 Vdc
Maximum current:	12 mA

The active state of these inputs are selected in software. Refer to the VisiSet™ Help On Line.

An anti-disturbance filter is implemented in software on both inputs so that the minimum pulse duration is $\cong 0.5$ milliseconds. This value can be increased through the software parameter Debounce Filter, see the Digital I/O folder in the VisiSet™ Help On Line for further details.

These inputs are optocoupled and can be driven by both NPN and PNP type commands.



NOTE

Polarity insensitive inputs assure full functionality even if pins A and B are exchanged.

The connections are indicated in the following diagrams:

Pin	Name	Function
9	Vdc	Power Supply input voltage +
18	I1A	External Trigger A (polarity insensitive)
19	I1B	External Trigger B (polarity insensitive)
7	GND	Power Supply input voltage -

The yellow Trigger LED (**Figure 16**, 5) is on when the active state of the External Trigger corresponds to ON.

EXTERNAL TRIGGER INPUT PNP PH-1

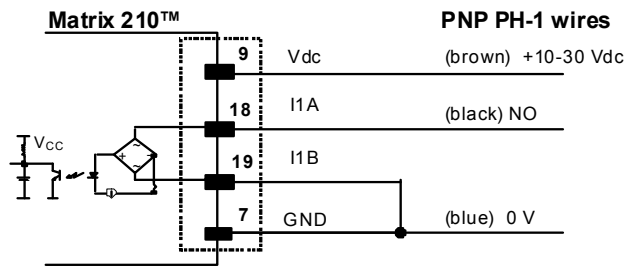


Figure 75 - PH-1 Photocell (PNP) External Trigger Using Matrix 210™ Power

EXTERNAL TRIGGER INPUT CONNECTIONS USING MATRIX 210™ POWER

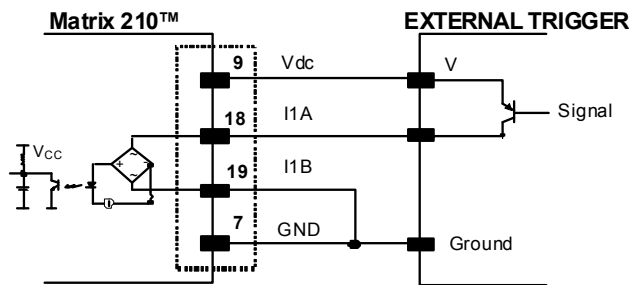


Figure 76 – PNP External Trigger Using Matrix 210™ Power

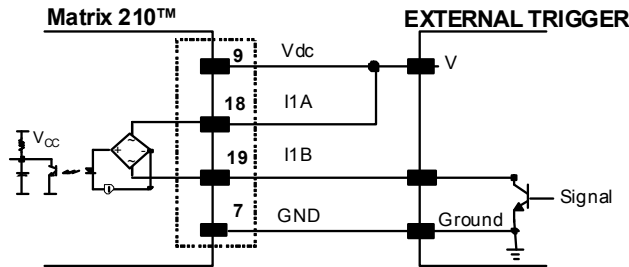


Figure 77 - NPN External Trigger Using Matrix 210™ Power

EXTERNAL TRIGGER INPUT CONNECTIONS USING EXTERNAL POWER

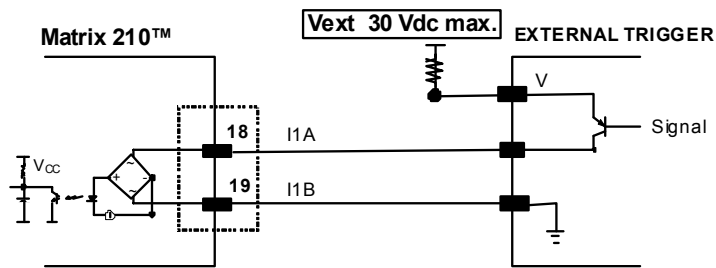


Figure 78 - PNP External Trigger Using External Power

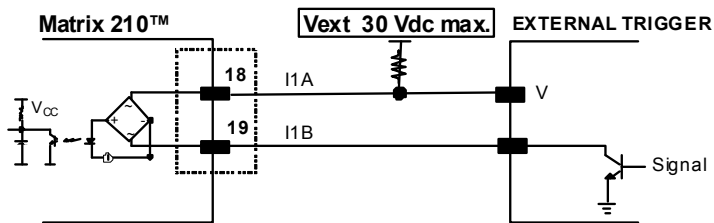


Figure 79 - NPN External Trigger Using External Power

Pin	Name	Function
9	Vdc	Power Supply input voltage +
6	I2A	Input 2 A (polarity insensitive)
10	I2B	Input 2 B (polarity insensitive)
7	GND	Power Supply input voltage -

INPUT 2 CONNECTIONS USING MATRIX 210™ POWER

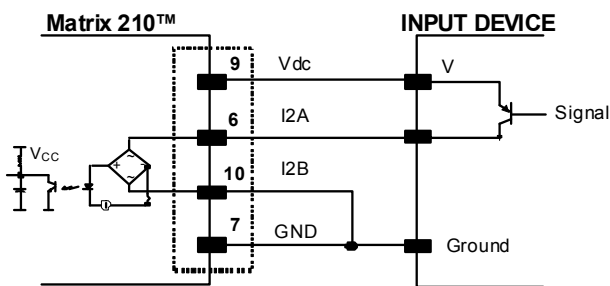


Figure 80 - PNP Input 2 Using Matrix 210™ Power

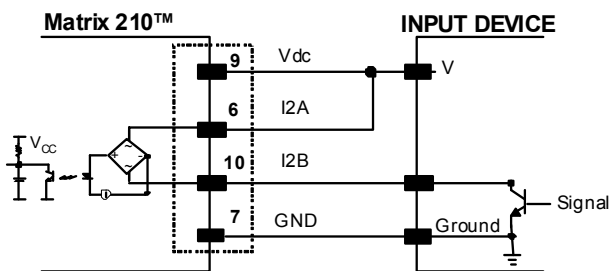


Figure 81 - NPN Input 2 Using Matrix 210™ Power

INPUT 2 CONNECTIONS USING EXTERNAL POWER

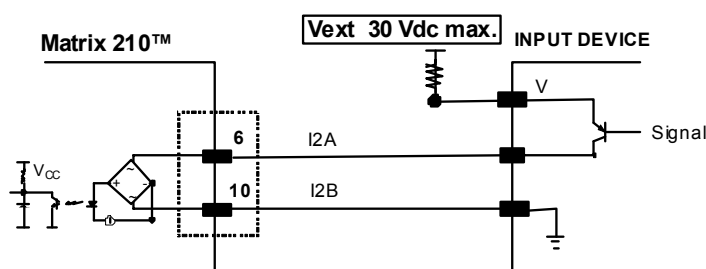


Figure 82 - PNP Input 2 Using External Power

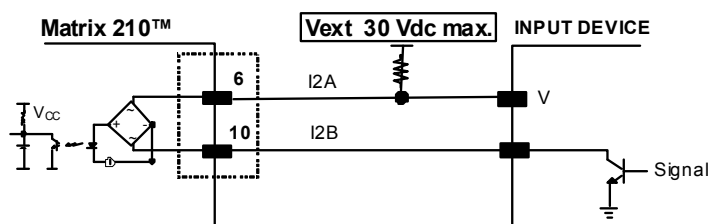


Figure 83 - NPN Input 2 Using External Power

5.9 OUTPUTS

Two opto-coupled general purpose outputs are available on the 25-pin connector. The meaning of the two outputs Output 1 and Output 2 can be defined by the user. They are typically used either to signal the data collection result.

The pinout is the following:

Pin	Name	Function
9	Vdc	Power Supply input voltage +
8	O1+	Configurable digital output 1 - positive pin
22	O1-	Configurable digital output 1 - negative pin
11	O2+	Configurable digital output 2 - positive pin
12	O2-	Configurable digital output 2 - negative pin
7	GND	Power Supply input voltage -

The electrical features of the two outputs are the following:

$V_{CE\ max} = 30\ Vdc$

$I_{max} = 40\ mA\ continuous; 130\ mA\ pulsed$

By default, Output 1 is associated with the Partial Read and No Read events, which activates when the code(s) signaled by the external trigger are not decoded, and Output 2 is associated with the Complete Read event, which activates when all the selected codes are correctly decoded.

The output signals are fully programmable being determined by the configured Activation/Deactivation events, Deactivation Timeout or a combination of the two. Refer to the Digital I/O folder in the VisiSet™ Help On Line for further details.

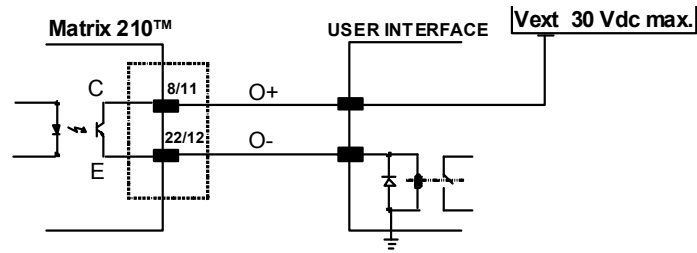


Figure 84 - Open Emitter Output Connection

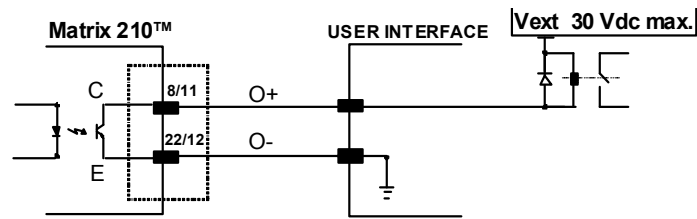
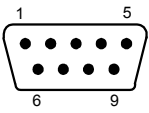
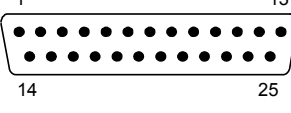


Figure 85 - Open Collector Output Connection

5.10 USER INTERFACE

The following table contains the pinout for standard RS232 PC Host interface. For other user interface types please refer to their own manual.

RS232 PC-side connections			
			
9-pin male connector		25-pin male connector	
Pin	Name	Pin	Name
2	RX	3	RX
3	TX	2	TX
5	GND	7	GND
7	RTS	4	RTS
8	CTS	5	CTS

How To Build A Simple Interface Test Cable:

The following wiring diagram shows a simple test cable including power, external (push-button) trigger and PC RS232 COM port connections.

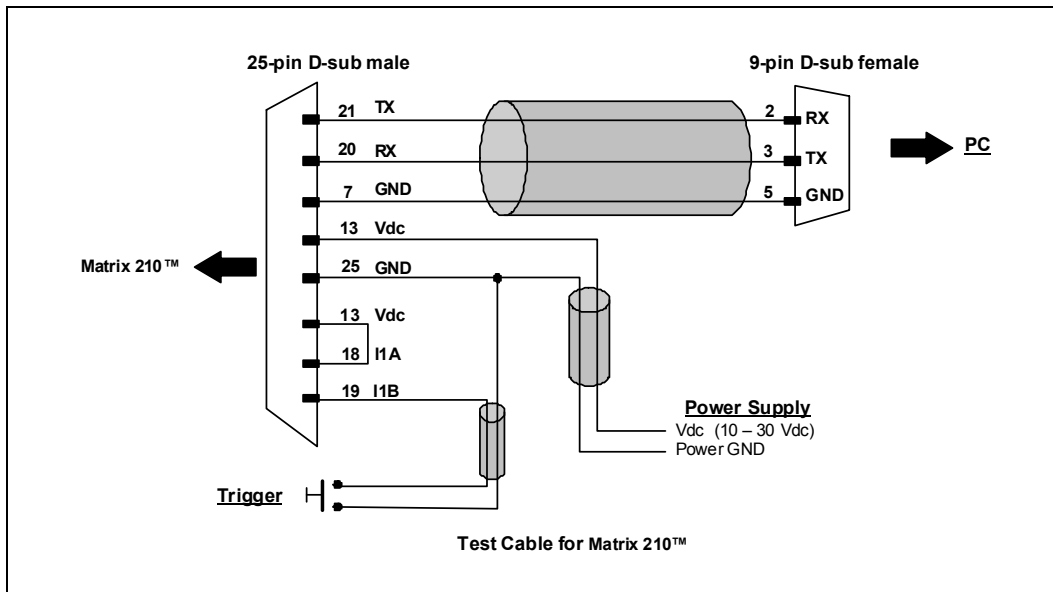


Figure 86- Test Cable for Matrix 210™

6 TYPICAL LAYOUTS

The following typical layouts refer to system hardware configurations. However, they also require the correct setup of the software configuration parameters. Dotted lines in the figures refer to optional hardware configurations within the particular layout.

6.1 POINT-TO-POINT

(21x-x0x and 21x-x1x models)

In this layout the data is transmitted to the Host on the main serial interface. The RS232 auxiliary interface can be used for reader configuration by connecting a laptop computer running VisiSet™. Host Mode programming can be accomplished either through the main interface or the Auxiliary interface.

In Local Echo communication mode, data is transmitted on the RS232 auxiliary interface independently from the main interface selection.

When One Shot or Phase Mode operating mode is used, the reader can be activated by an External Trigger (for example a pulse from a photoelectric sensor) when the object enters its reading zone.

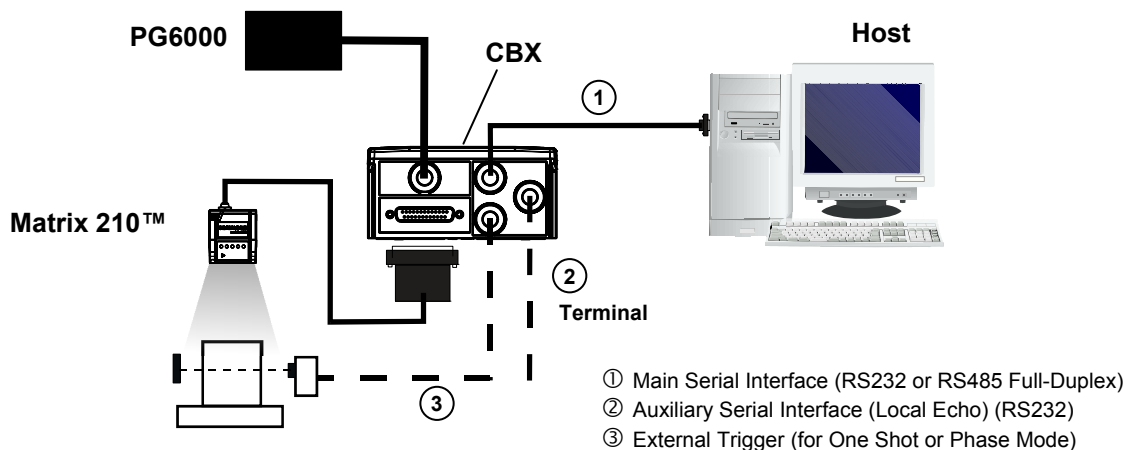


Figure 87 – Serial Interface Point-to-Point Layout

In this layout the data is transmitted to the Host on the TCP/IP Ethernet interface (CBX500 with BM200/210 Host Interface Module installed). The RS232 auxiliary interface can be used for reader configuration by connecting a laptop computer running VisiSet™. Host Mode programming can be accomplished either through the TCP/IP Ethernet interface or the Auxiliary interface.

In Local Echo communication mode, data is transmitted on the RS232 auxiliary interface independently from the TCP/IP Ethernet selection.

When One Shot or Phase Mode operating mode is used, the reader can be activated by an External Trigger (for example a pulse from a photoelectric sensor) when the object enters its reading zone.

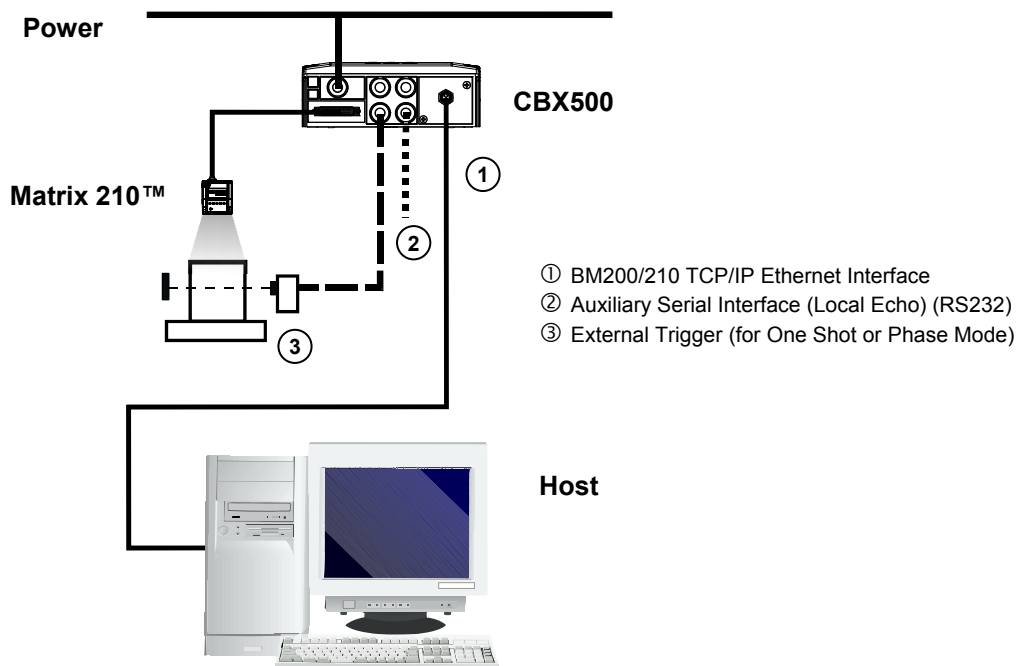


Figure 88 – BM200/210 TCP/IP Ethernet Interface Point-to-Point Layout

In this layout a single scanner functions as a Slave node on a Fieldbus network. The data is transmitted to the Host through an accessory Fieldbus interface board installed inside the CBX500 connection box.

Reader configuration can be accomplished through the Auxiliary interface using the VisiSet™ configuration program or Host Mode programming.

In Local Echo communication mode, data is transmitted on the RS232 auxiliary interface independently from the Fieldbus interface selection.

When One Shot or Phase Mode operating mode is used, the reader can be activated by an External Trigger (photoelectric sensor) when the object enters its reading zone.

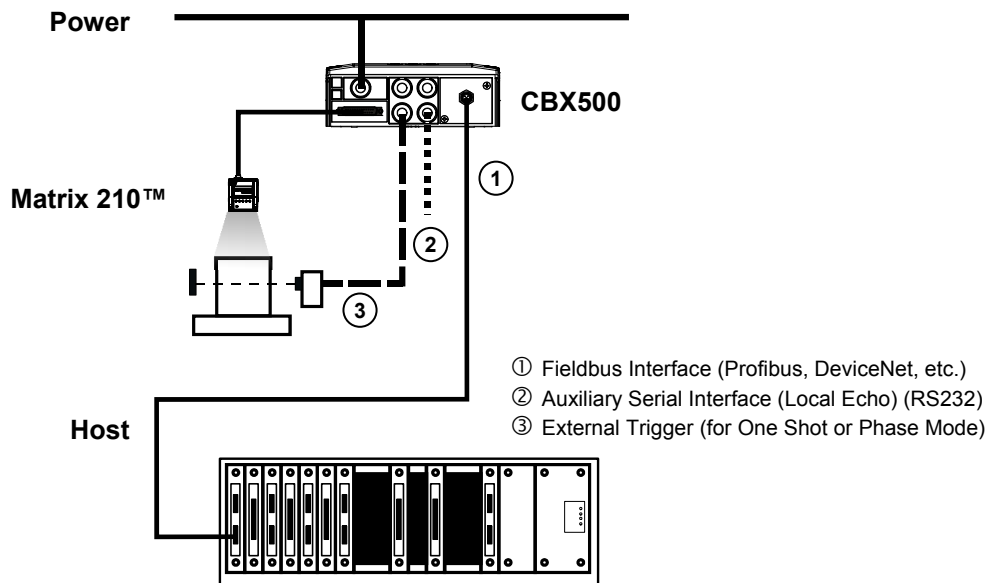


Figure 89 – Fieldbus Interface Point-to-Point Layout

6.2 PASS-THROUGH (21x-x0x and 21x-x1x models)

6.2.1 Pass-Through on RS232

Pass-through mode allows two or more devices to be connected to a single external serial interface.

Each reader transmits the messages received by the Auxiliary interface onto the Main interface. All messages will be passed through this chain to the host.

When One Shot or Phase Mode operating mode is used, the reader can be activated by an External Trigger (for example a pulse from a photoelectric sensor) when the object enters its reading zone.

Applications can be implemented to connect a device such as a hand-held reader to the Auxiliary port of the last reader in the chain for manual code reading capability.

The Main and Auxiliary ports are connected as shown in the figure below:

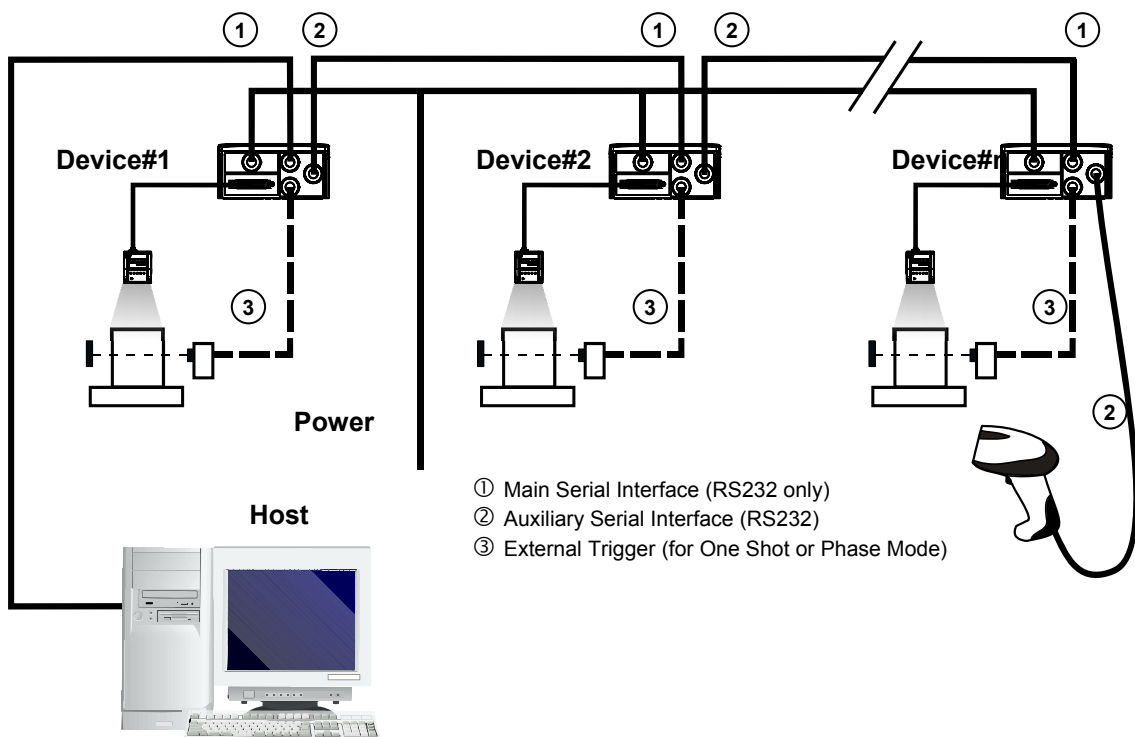


Figure 90 – Pass-Through Layout



NOTE

The reading device connected to the Host can be connected to a Fieldbus network using a Host Interface module through a CBX500 connection box.

6.2.2 Pass-Through on ID-NET™

An alternative Pass-Through layout allows the more efficient ID-NET™ network to be used. This layout is really an ID-NET Master/Slave Multidata layout which also allows **each** reader (Master and Slaves) to accept input on the Auxiliary interface, for example to connect a device such as a hand-held reader for manual code reading capability.

Each Matrix 210™ transmits its own messages plus any messages received by its Auxiliary interface onto the ID-NET™ interface. The Master passes all messages to the Host.

When One Shot or Phase Mode operating mode is used, the reader can be activated by an External Trigger (photoelectric sensor) when the object enters its reading zone.

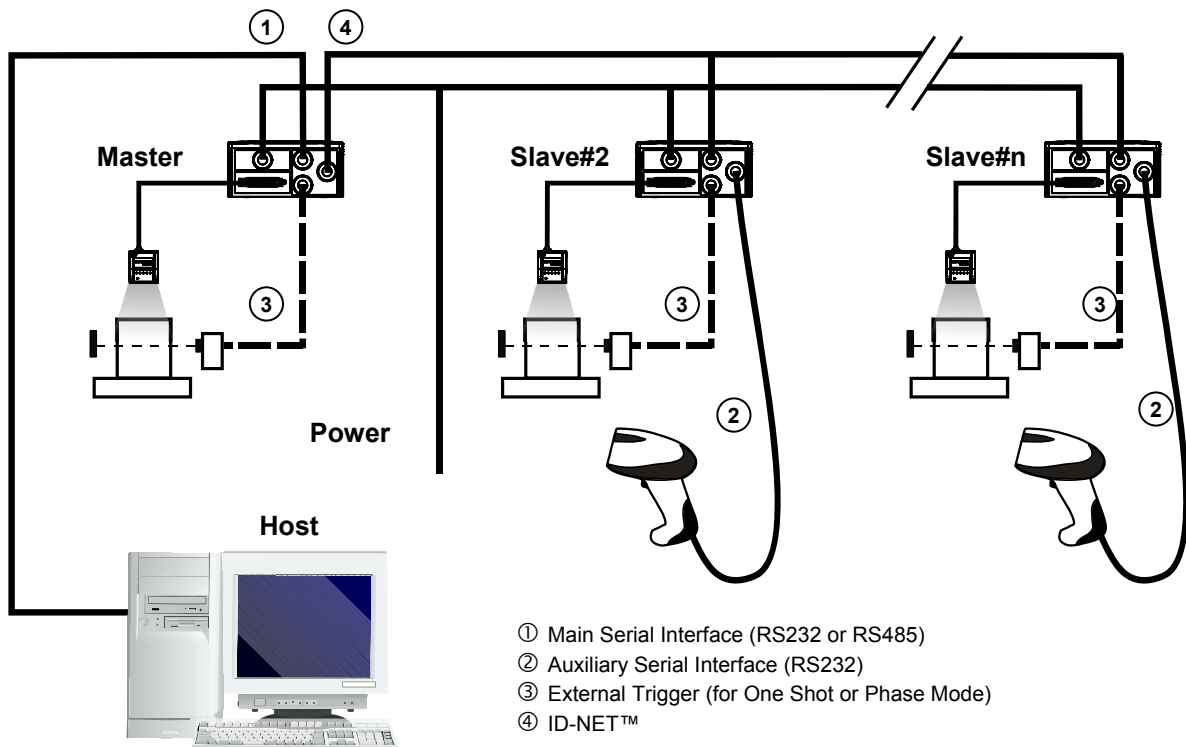


Figure 91 – Pass-Through On ID-NET™ Layout



NOTE

The reading device connected to the Host can be connected to a Fieldbus network using a Host Interface module through a CBX500 connection box.

6.3 ID-NET™

(21x-x0x and 21x-x1x models)

The ID-NET™ connection is used to collect data from several readers to build a multi-point or a multi-sided reading system; there can be one master and up to 31 slaves connected together.

The slave readers are connected together using the ID-NET™ interface. Every slave reader must have an ID-NET™ address in the range 1-31.

The master reader is also connected to the Host on the RS232/RS485 main serial interface.

For a Master/Slave Synchronized layout the External Trigger signal is unique to the system; there is a single reading phase and a single message from the master reader to the Host computer. **It is not necessary to bring the External Trigger signal to all the readers.**

In the Master/Slave Synchronized layout the Master operating mode can only be set to Phase Mode.

The main, auxiliary, and ID-NET™ interfaces are connected as shown in the figure below.

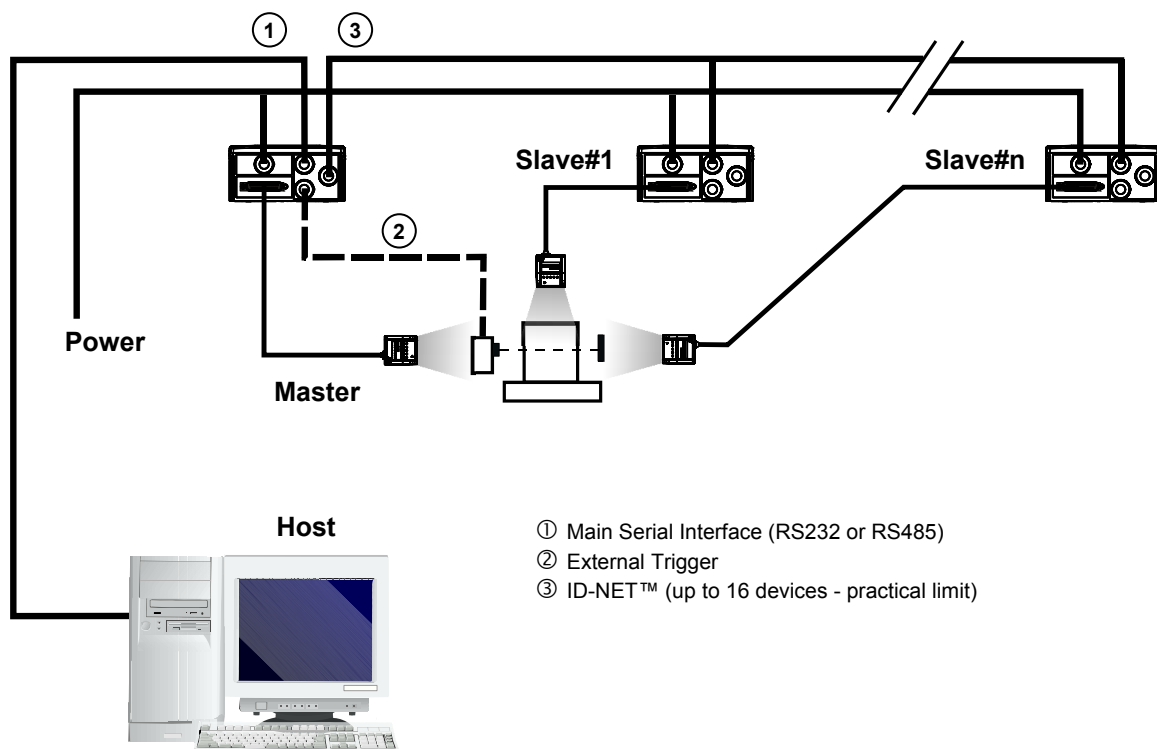


Figure 92 – ID-NET™ M/S Synchronized Layout

The Master reader can be connected to the CBX series connection box (CBX + BM100 module) or to a QL500 having sw version 2.02.01 and later, with the advantage of the Backup and Restore configuration function. If the Backup and Restore function is not required, then a QL300 can be used to connect the master reader.

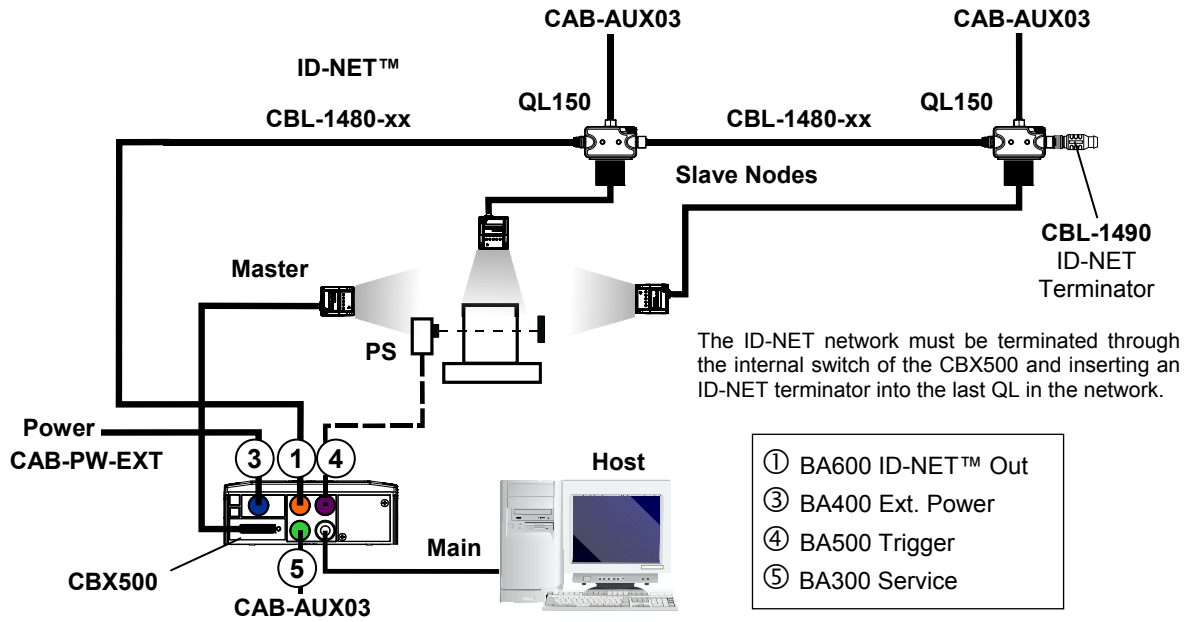


Figure 93 - ID-NET™ M/S Synchronized Layout
Matrix 210™ Master with CBX500 + Matrix 210™ Slaves with QL150

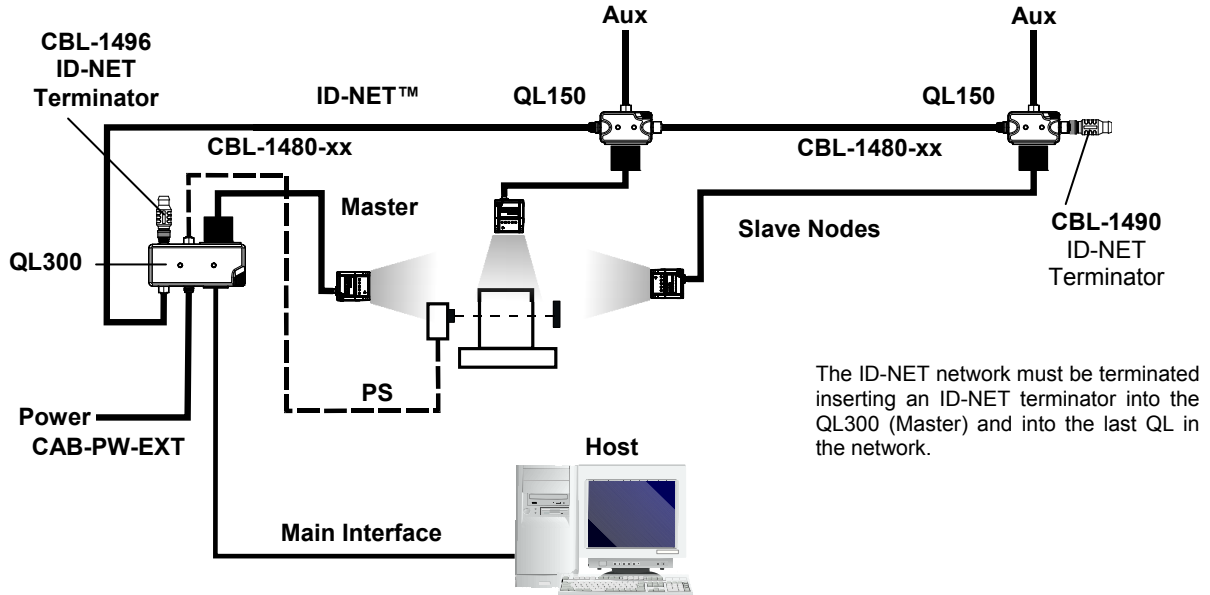


Figure 94 - ID-NET™ M/S Synchronized Layout with QL300 Serial Interface to Host

The same configuration can be made to a Host using a TCP/IP Ethernet interface. In this case the Master is connected to a CBX500 with BM200/210 Host Interface Module installed.

The TCP/IP Ethernet, auxiliary, and ID-NET™ interfaces are connected as shown in the figure below.

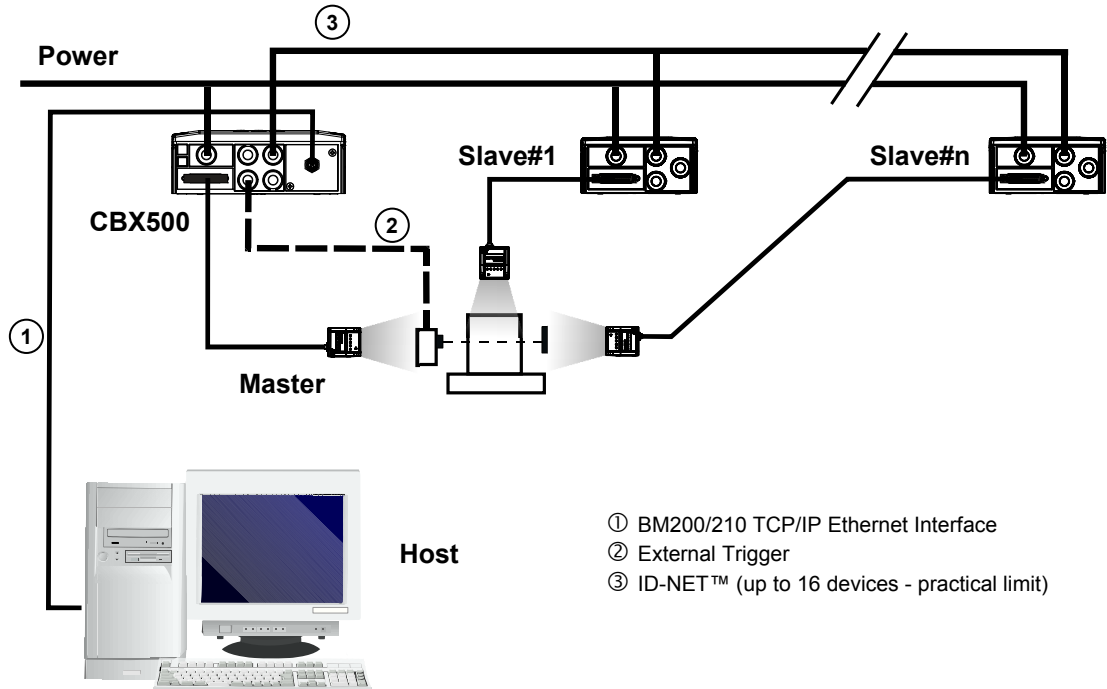


Figure 95 – ID-NET™ M/S Synchronized Layout with BM200/210 TCP/IP Ethernet Interface to Host

An alternative layout to the CBXs can be made using QLs:

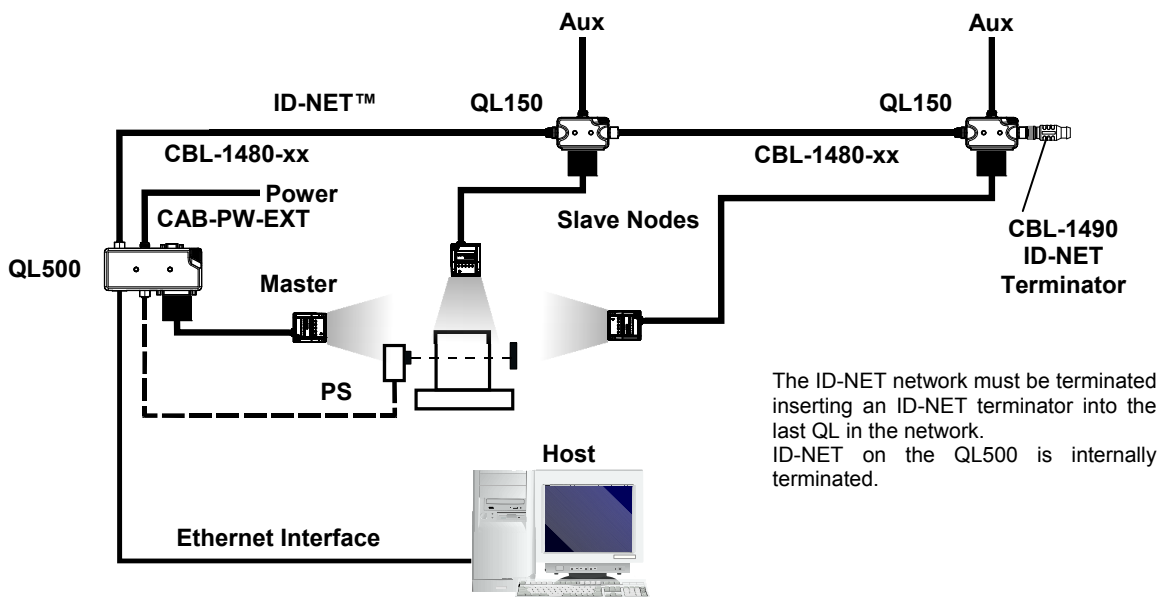


Figure 96 - ID-NET™ M/S Synchronized Layout with QL500 TCP/IP Ethernet Interface to Host

For a Master/Slave Multidata layout each reader has its own reading phase independent from the others; each single message is sent from the master reader to the Host computer.

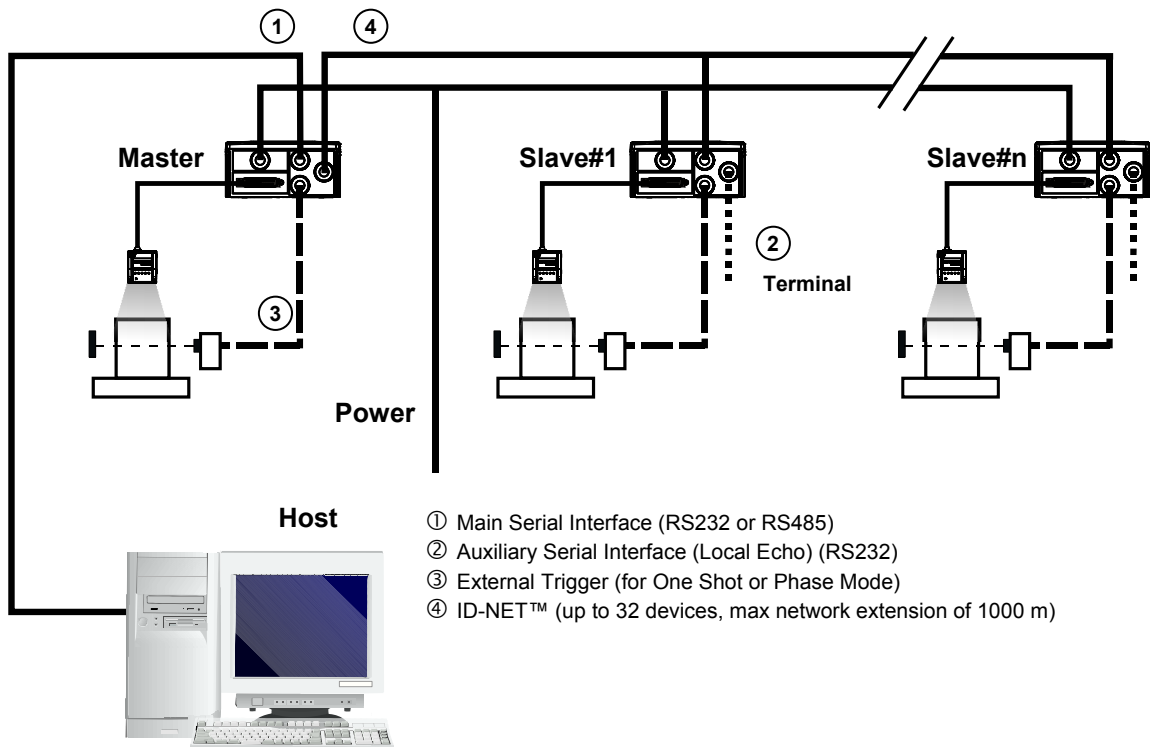


Figure 97 – ID-NET™ M/S Multidata



NOTE

The auxiliary serial interface of the slave readers can be used in Local Echo communication mode to control any single reader (visualize collected data) or to configure it using the VisiSet™ utility.

The ID-NET™ termination resistor switches must be set to ON only in the first and last CBX connection box.

The same configuration can be made to a Host using a TCP/IP Ethernet interface. In this case the Master is connected to a CBX500 with BM200/210 Host Interface Module installed.

The TCP/IP Ethernet, auxiliary, and ID-NET™ interfaces are connected as shown in the figure below.

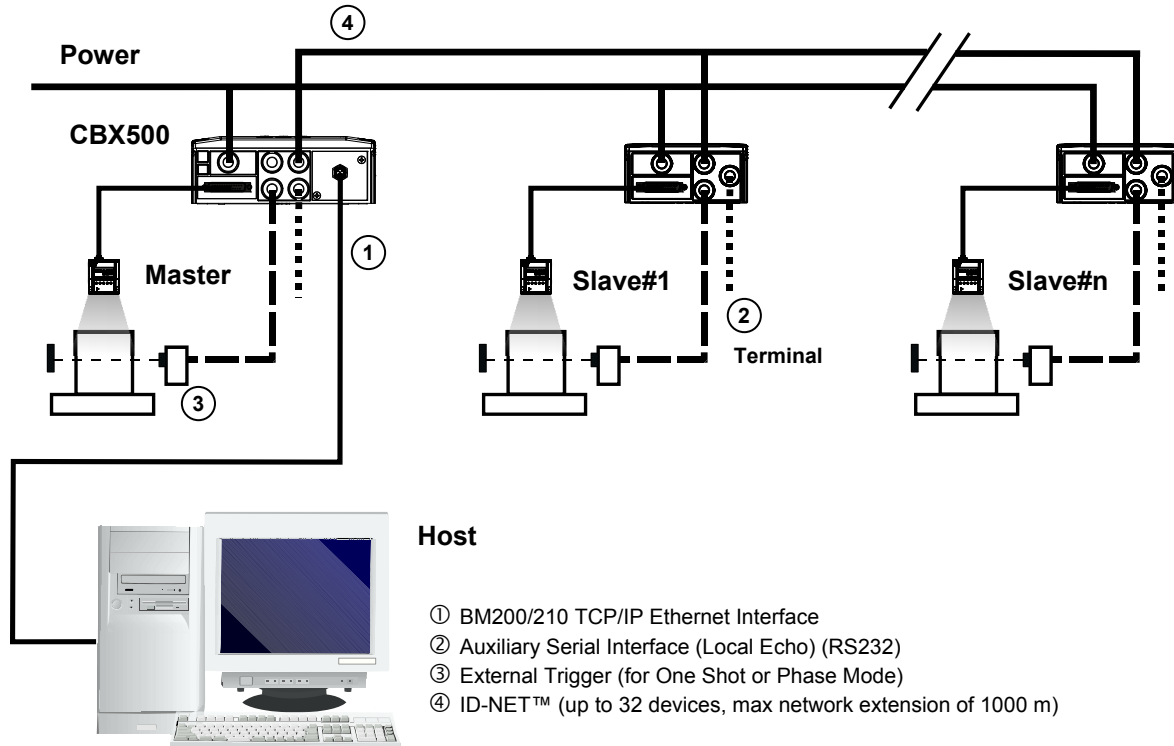



Figure 98 – ID-NET™ M/S Multidata Layout with BM200/210 TCP/IP Ethernet Interface to Host



NOTE

The auxiliary serial interface of the slave readers can be used in Local Echo communication mode to control any single reader (visualize collected data) or to configure it using the VisiSet™ utility.

The ID-NET™ termination resistor switches must be set to ON only in the first and last CBX connection box.

Alternatively, the Master scanner can communicate to the Host as a Slave node on a Fieldbus network. This requires using an accessory Fieldbus interface board installed inside the CBX500 connection box.

System configuration can be accomplished through the Auxiliary interface of the Master reader (internal CBX500 9-pin connector) using the VisiSet™ configuration program or Host Mode programming.

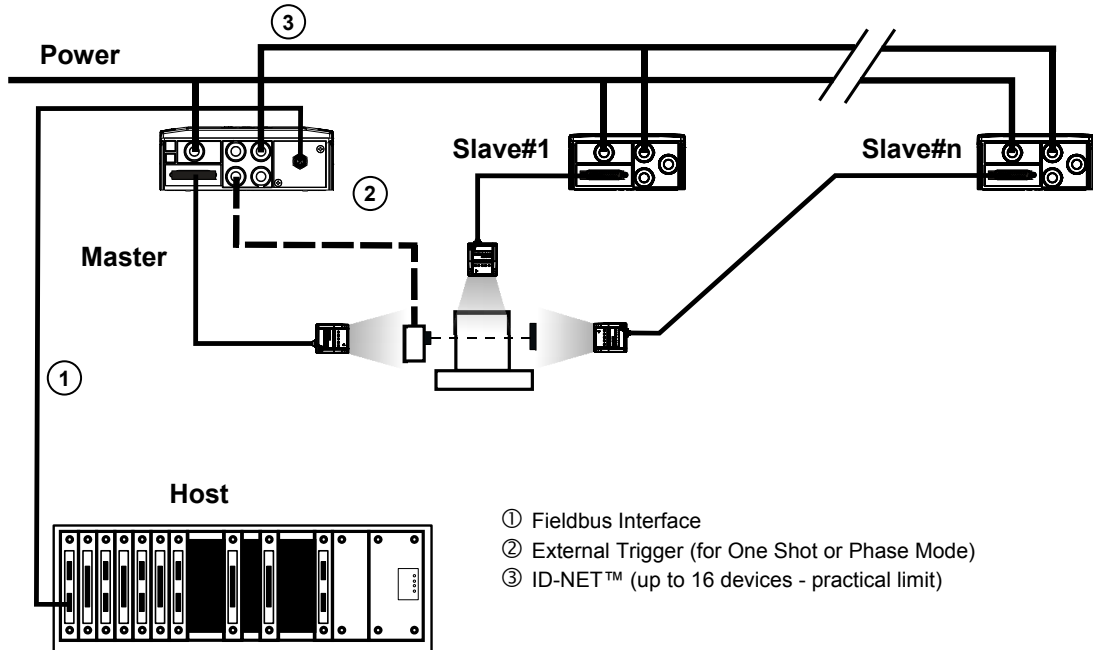


Figure 99 – ID-NET™ Fieldbus M/S Synchronized Layout

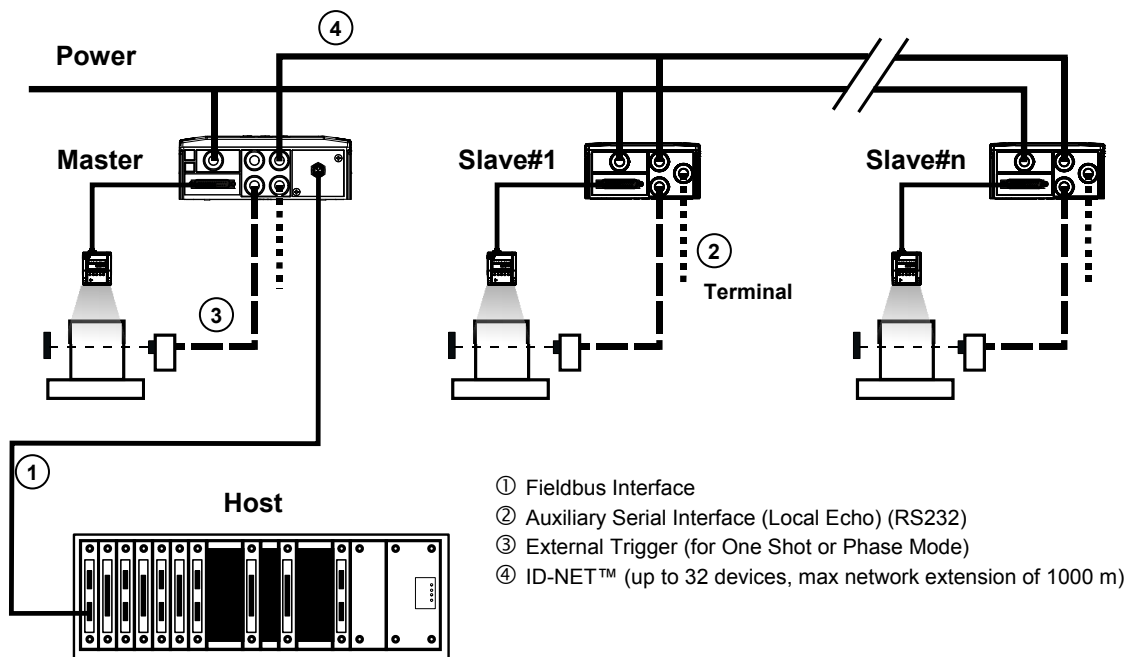



Figure 100 – ID-NET™ Fieldbus M/S Multidata

6.4 RS232 MASTER/SLAVE

(21x-x0x and 21x-x1x models)



NOTE

This interface is provided for backward compatibility. We recommend using the more efficient ID-NET™ network for Master/Slave or Multiplexer layouts.

The RS232 master/slave connection is used to collect data from several readers to build either a multi-point or a multi-sided reading system; there can be one master and up to 9 slaves connected together.

The Slave readers use RS232 only on the main and auxiliary serial interfaces. Each slave reader transmits the messages received by the auxiliary interface onto the main interface. All messages will be passed through this chain to the Master.

The Master reader is connected to the Host on the RS232/RS485 main serial interface.

There is a single reading phase and a single message from the master reader to the Host computer.

In this layout the Master operating mode can be set only to Phase Mode.

The Phase ON/OFF signals must be brought only to the Master. It is not necessary to bring them to the Slave readers.

The main and auxiliary ports are connected as shown in the figure below.

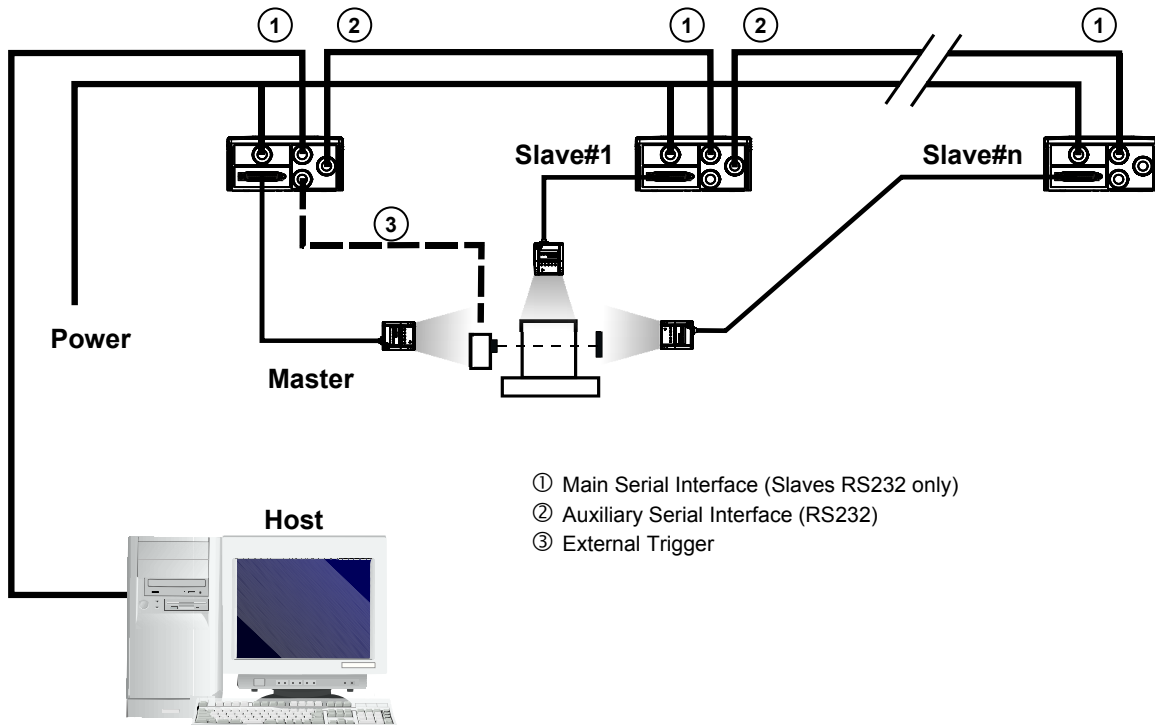


Figure 101 – RS232 Master/Slave Layout

6.5 MULTIPLEXER

(21x-x0x and 21x-x1x models)



NOTE

This interface is provided for backward compatibility. We recommend using the more efficient ID-NET™ network for Master/Slave or Multiplexer layouts.

Each reader is connected to a Multiplexer (for example MX4000) with the RS485 half-duplex main interface through a CBX connection box.

Before proceeding with the connection it is necessary to select the MUX32 communication protocol and the multidrop address for each reader.

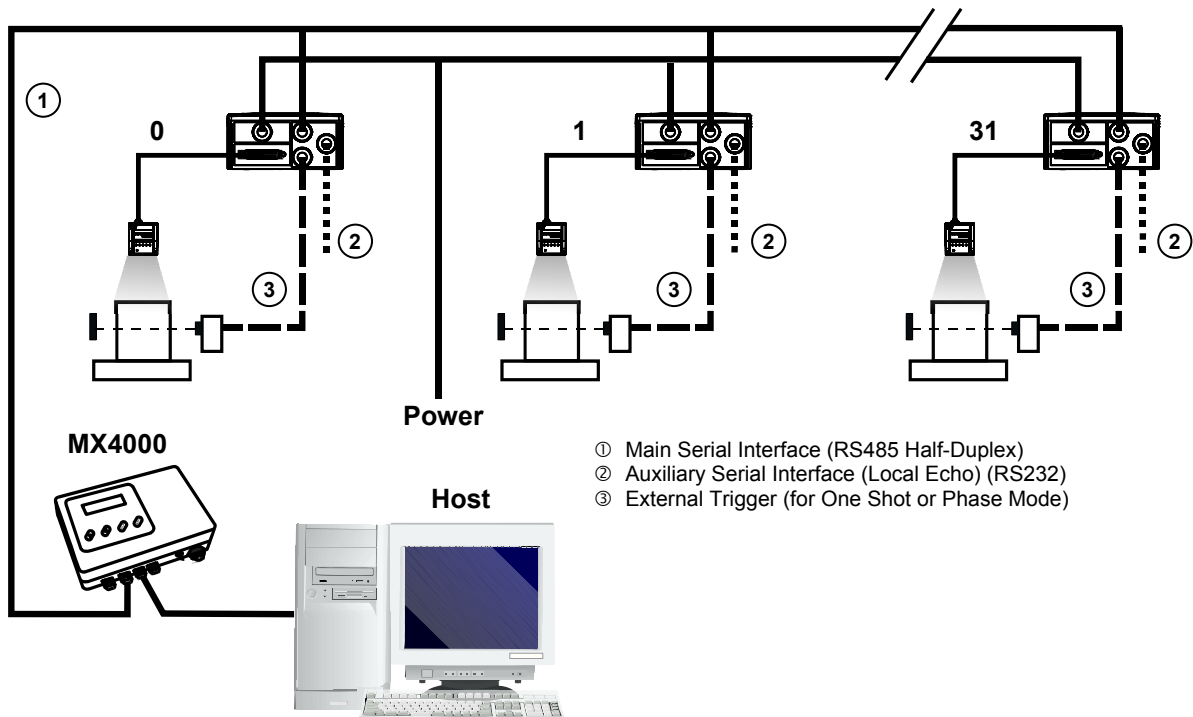


Figure 102 - Multiplexer Layout

The auxiliary serial interface of the slave readers can be used in Local Echo communication mode to control any single reader (visualize collected data) or to configure it using the VisiSet™ utility.

Each reader has its own reading phase independent from the others. When One Shot or Phase Mode operating mode is used, the reader can be activated by an External Trigger (for example a pulse from a photoelectric sensor) when the object enters its reading zone.

6.6 ETHERNET CONNECTION

(21x-x1x models only)

For Matrix 210 21x-x1x models, the Ethernet connection is possible in two different layouts. In both layouts, before proceeding with the connection, it is necessary to configure the reader Ethernet parameters via VisiSet™. For further details, see the Ethernet Folder in the VisiSet™ Help On Line.

“In a Point-to-Point layout the reader is connected to a local host by using a **CAB-ETH-M0x** cable. There is no need to use a crossover adapter since Matrix 210™ incorporates an auto-cross function.

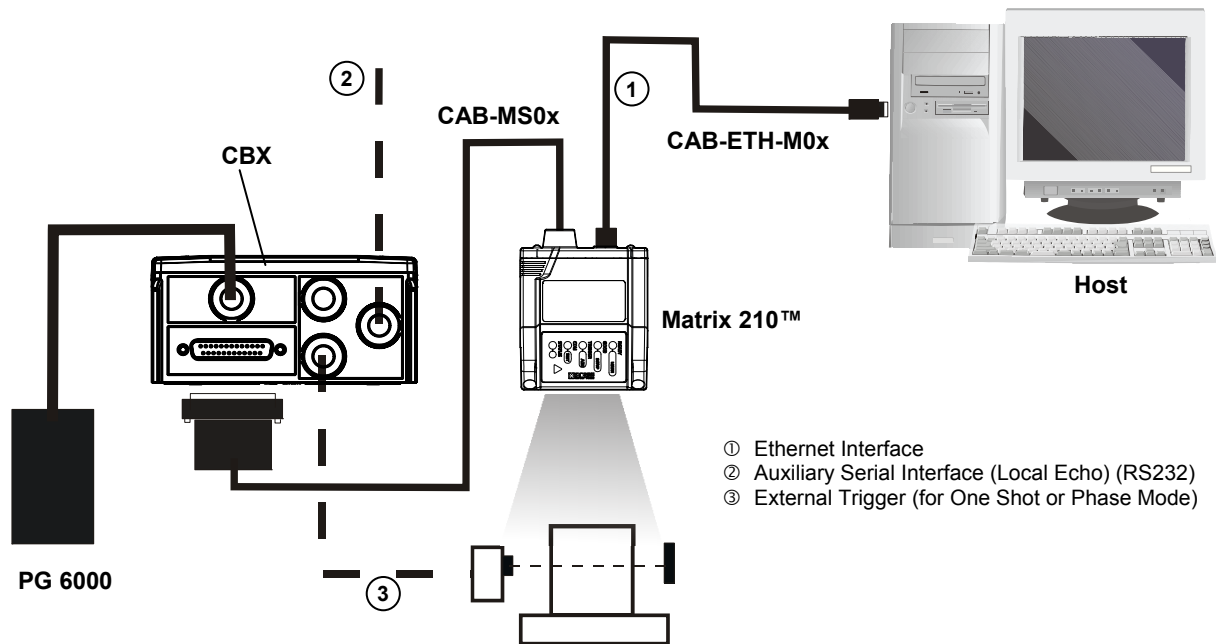


Figure 103 - Ethernet Point-to-Point Layout

When using a Local Area Network (LAN), one or more Matrix 210 21X-X1X can be connected to the network by using **CAB-ETH-M0x** cables:

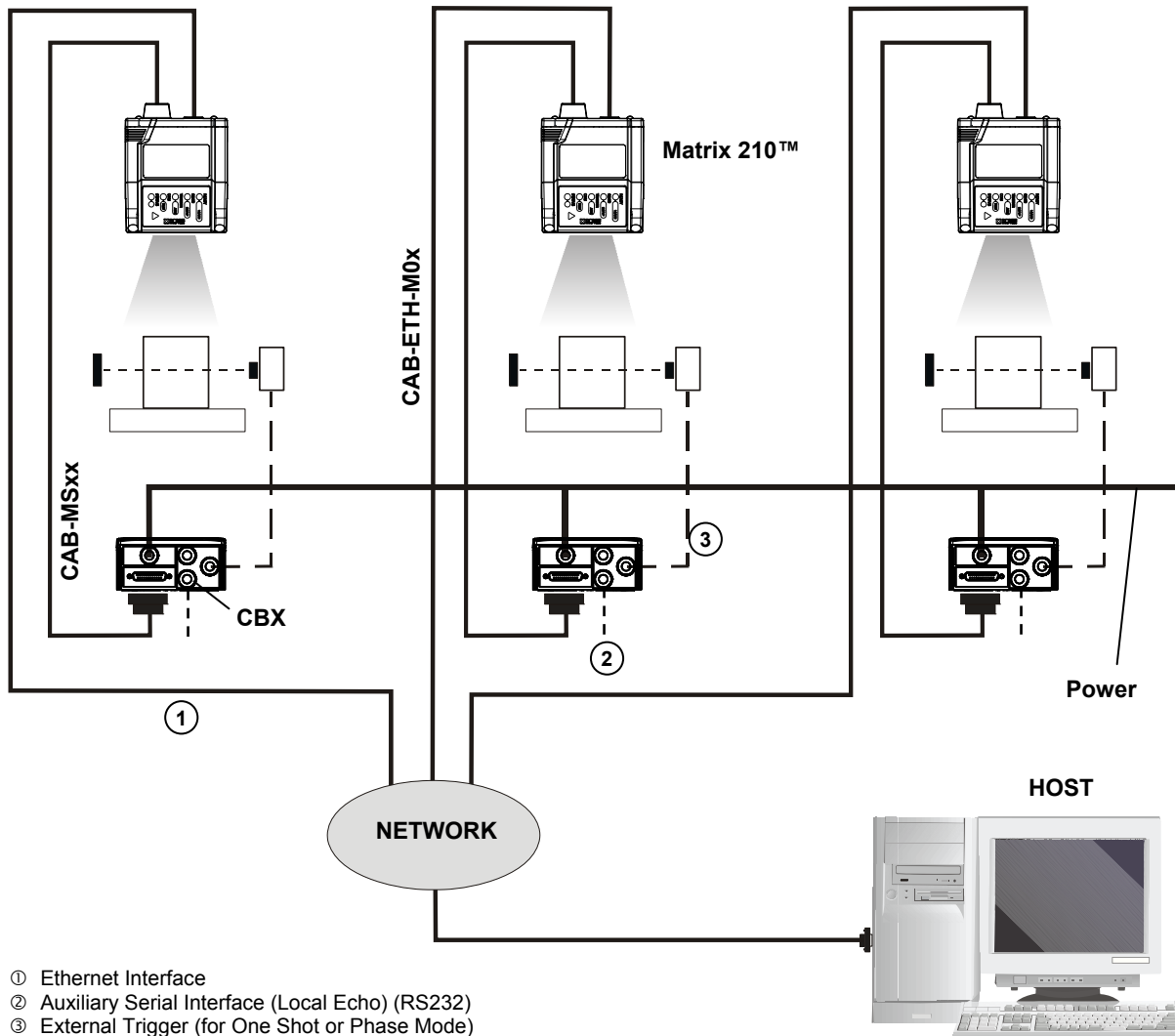


Figure 104 - Ethernet Network Layout

6.7 USB CONNECTION

(21x-x2x models only)

For Matrix 210 21x-020 models, the USB connection is possible in two different layouts. The default baud rate is 115200. To maximize data transfer you can set it up to 921600 by configuring the reader through the Communication parameters via VisiSet™. For further details, see the Communication Folder in the VisiSet™ Help On Line.

In a Point-to-Point layout the reader is connected to a local host through its USB cable. No external power supply is necessary.

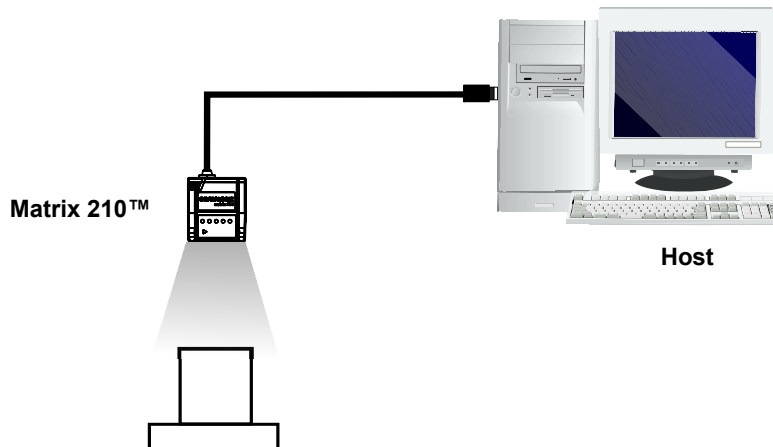


Figure 105 - USB Point-to-Point Layout

One or more Matrix 210™ USB models can be connected to USB Hub. The HUB must be able to supply 500 mA to each port.

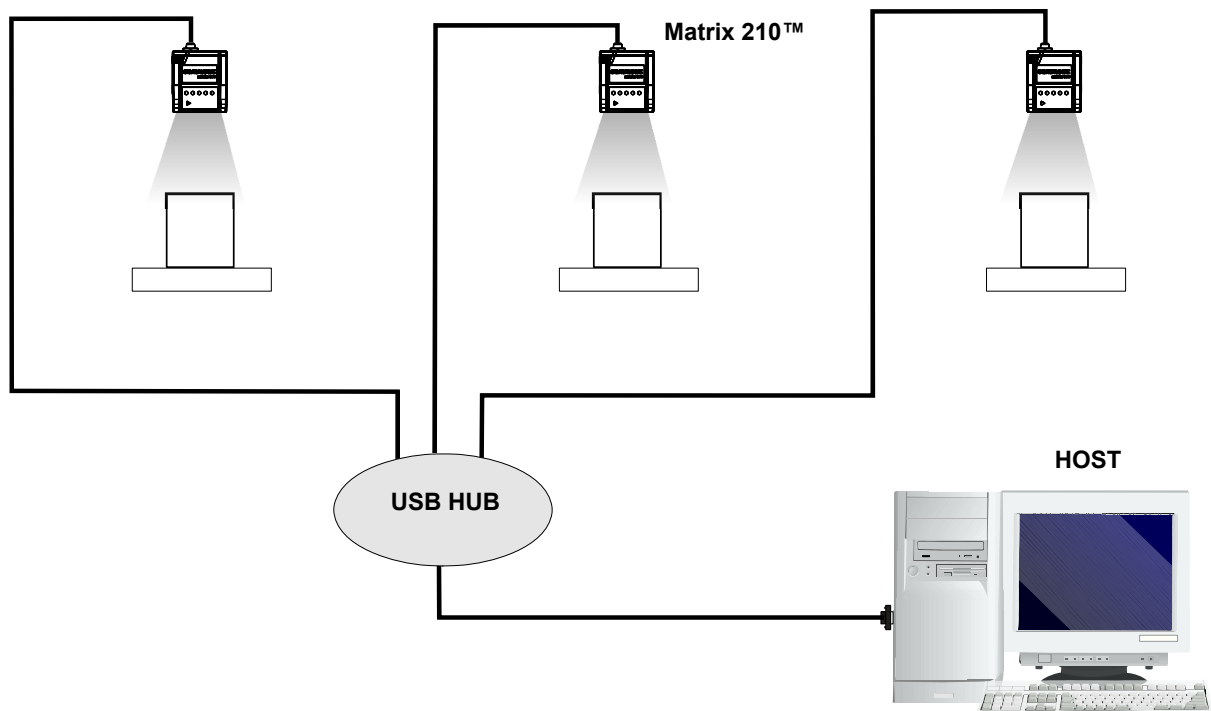


Figure 106 – Multi USB Hub Layout

7 READING FEATURES

MODELS	Focus Distance mm (in)	Field of View ⁽¹⁾ mm (in)	PPI ⁽²⁾	Typ. Linear and Stacked Code Resolution mm (mils)	2D Code Resolution mm (mils)		Reading Distance ⁽³⁾ mm (in)	
							min.	max.
214-xxx UHD	30 (1.18)	16.5 × 10.5 (0.65 × 0.41)	1150	0.063 (2.5)	Max.	0.076 (3)	28 (1.10)	32 (1.26)
					Typ.	0.13 (5)	23 (0.91)	38 (1.50)
211-xxx NEAR	45 (1.77)	35 × 22 (1.38 × 0.87)	545	0.10 (4)	Max.	0.13 (5)	42 (1.65)	53 (2.08)
					Typ.	0.19 (7.5)	36 (1.42)	61 (2.40)
212-xxx MEDIUM	65 (2.56)	50 × 32 (1.97 × 1.26)	380	0.15 (6)	Max.	0.19 (7.5)	54 (2.13)	90 (3.54)
					Typ.	0.25 (10)	47 (1.85)	101 (3.97)
213-xxx FAR	105 (4.13)	80 × 50 (3.15 × 1.97)	238	0.20 (8)	Max.	0.25 (10)	85 (3.35)	135 (5.31)
					Typ.	0.38 (15)	70 (2.76)	192 (7.55)

⁽¹⁾ @ Focus Distance

⁽²⁾ Pixels per inch @ Focus Distance

⁽³⁾ Measurement Conditions:

- Test Chart: provided with the reader
- Still code at the center of the FOV
- Code Symbology: Data Matrix ECC 200
- Tilt Angle: 45°
- Skew Angle: 15°
- Image Processing Mode = *Advanced Code Setting*
- Module Size (mils) equal to the resolution of the code to read
- Image Processing Self Tuning = *Enabled*
- Image Processing Self Tuning Mode = *Code Contrast Levels Only* *
- Image Acquisition Self Tuning = *Enabled* (for 213-xxx models only)

* This parameter setting can increase the image processing time.

All distances are measured from the reading window to the code surface.

Depending on the code resolution, symbology and number of characters in the code, the Reading Area can be different from the FOV.

7.1 MAXIMUM LINE SPEED CALCULATION

The **Exposure Time** (or **Shutter**) parameter defines the time during which the image will be exposed to the reader sensor to be acquired. This parameter depends heavily on the environmental conditions (external lighting, image contrast etc.).

In general, a longer time corresponds to a lighter image but is susceptible to blurring due to the code movement; a shorter exposure time corresponds to a darker image.

**NOTE**

*The following considerations must be applied only when the internal lighting system and **2D codes** are used. The Maximum line speed allowed for linear codes or postal code reading applications heavily depends on the direction of symbol movement. When the direction of movement is parallel to the elements of the code, the maximum speed is greater.*

Assuming:

- **X**: Code Resolution (mm)
- **Texp**: Exposure Time (s)
- **LS**: Line Speed (mm/s)

The essential condition to avoid blurring effects between two adjacent elements in a dynamic reading application is:

$$LS \times Texp \leq X$$

The maximum (theoretical) line speed (LS) can be calculated as follows:

$$X / Texp (\text{min}) = LS (\text{max})$$

Texp (min) is the minimum **Exposure Time** value obtainable for the specific application. It can be evaluated in static reading conditions and may depend on code printing quality, reader position, etc.

Using the formulas previously explained it is possible to calculate the theoretical maximum line (target) speed expected for the application, based on the maximum code resolution and the minimum suitable **Exposure Time** value.

The minimum **Exposure Time** value depends on the Matrix reader model selected for the application (reading distance) and on external lighting.

The **Internal Lighting Mode** parameter allows to set the operating mode of the internal lighting system. The possible values are:

- **Disabled:** the built-in lighting system is turned off all the time. This option can be useful only if external lighting is sufficient;
- **Always ON:** the built-in lighting system is turned on all the time at the lowest power level. This option is useful if the lighting system blinking (Strobed operating mode) disturbs the operator.
- **Very High/High/Medium/Low-Power Strobed:** the built-in lighting system is on only during the image exposure time. Four different lighting levels can be set.

**NOTE**

*To avoid LED array overheating, for Power Strobed settings, the program automatically limits the range of allowed values for the **Exposure Time** parameter. Therefore, after changes to Internal Lighting Mode, recheck **Exposure Time**.*

CAUTION:

The maximum target speed in the application is affected by these conditions:

- **Code/Background Contrast:** maximum speed decreases when decreasing image contrast (poor quality codes, reflective transparent coverings, different supports and printing techniques).
- **Code Resolution:** maximum speed increases when decreasing code resolution (there is a decrement of overlapping effects between two adjacent elements).
- **Tilt Angle:** maximum speed decreases when increasing Tilt angle (from 0 to 45 degrees).

8 SOFTWARE CONFIGURATION

Software configuration of your Matrix 210™ for static reading or simple code reading applications can be accomplished by the Rapid Configuration procedure using the X-PRESS™ HMI (which requires no external configuration program) or by using the VisiSet™ Setup Wizard for easy setup. These procedures are described in chapter 1.

For other applications use VisiSet™ through the reader serial ports.



NOTE

For Ethernet applications, connections to VisiSet™ can be made directly through the Ethernet port of the reader (Ethernet models only), or QL500 or BM2x0 Host Interface module. See the "Configuration Through Ethernet" page in the VisiSet™ Help On-Line, or the "Matrix Family Setup Procedure Using Programming Barcodes" document on the Mini-DVD.

8.1 VISISET™ SYSTEM REQUIREMENTS

To install and run VisiSet™ you should have a Laptop or PC that meets or exceeds the following:

- Pentium processor
- Windows 98/2000, NT 4.0, XP, Vista or 7
- 32 MB Ram
- 5 MB free HD space
- one free RS232 serial port with 115 Kbaud
- Video Adapter (1024 x 768) or better using more than 256 colors

8.2 INSTALLING VISISET™

To install VisiSet™, proceed as follows:

1. Turn on the Laptop or PC that will be used for configuration (connected to the Matrix 210™ communication ports).
2. After Windows finishes booting, insert the Mini-DVD provided.
3. Launch VisiSet™ installation by clicking Install.
4. Follow the instructions in the installation procedure.

8.3 STARTUP

After completing the mechanical and electrical connections to Matrix 210™, you can begin software configuration as follows:

1. Power on the Matrix 210™ reader. Wait for the reader startup. The system bootstrap requires a few seconds to be completed. The reader automatically enters Run Mode.
2. Run the VisiSet™ program.
3. Press **Connect** on the VisiSet™ menu bar. The PC will automatically connect to the Matrix 210™ reader.

Upon connection, Matrix 210™ exits Run Mode and displays the Main Menu on VisiSet™ with all the commands necessary to monitor your reader's performance. You can select these commands using the mouse or by pressing the key corresponding to the letter shown on the button. See Figure 107.

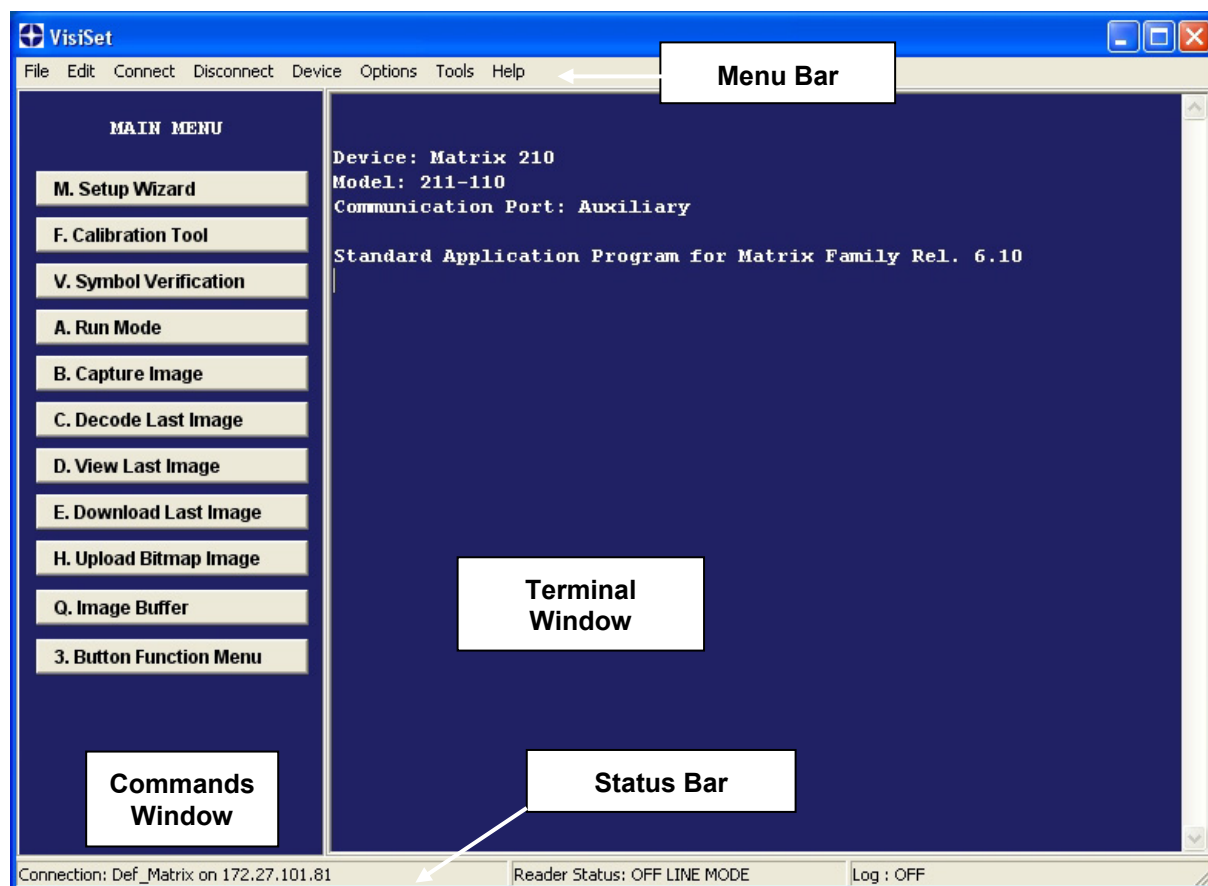


Figure 107 - Main Window

8.3.1 VisiSet™ Options

The **Options** item from the VisiSet™ menu (see Figure 107) presents a window allowing you to configure:

- the logging function (**Log**)
- VisiSet™ window properties (**Environment**)
- VisiSet™ communication channel (**Communication**)

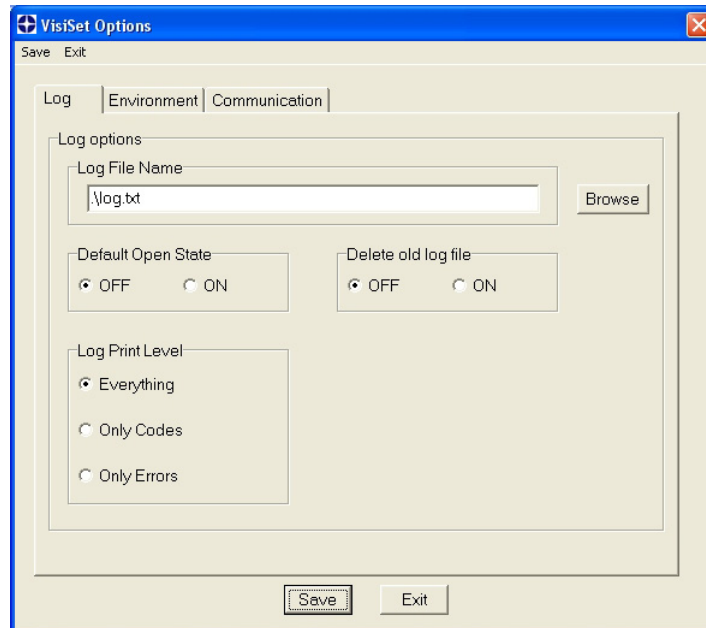


Figure 108 - Options - Log

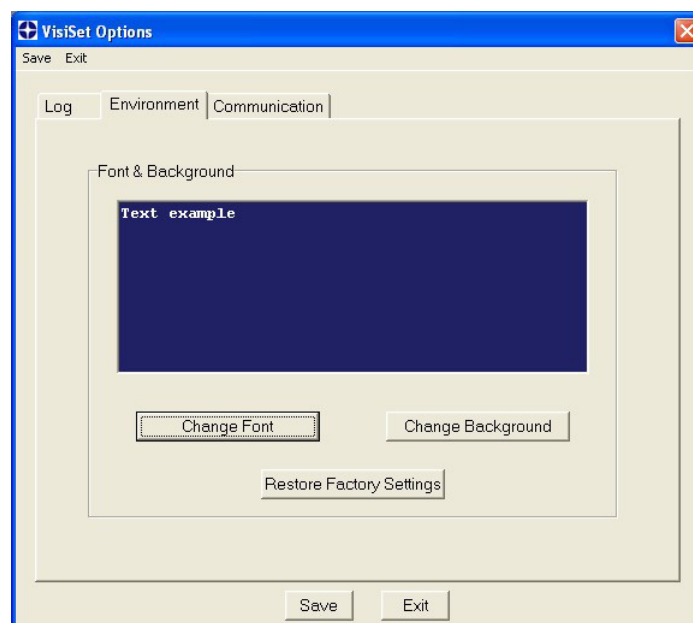


Figure 109 - Options - Environment

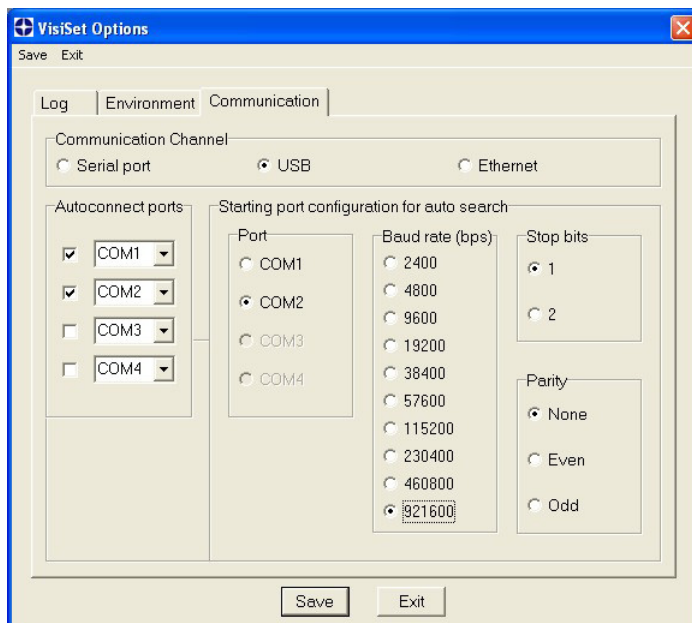


Figure 110 - Options – Communication

8.4 CONFIGURATION

Once connected to Matrix 210™ as described in par. 8.3, you can modify the configuration parameters as follows:

1. Press the Calibration Tool button from the Main Menu. Matrix 210™ will download its permanent memory configuration parameters with the default values (if it is the first time) to VisiSet™. The Calibration Tool window will be displayed together with the Parameter Setup window working in Interactive Mode (see par. 8.4.1 and par. 8.4.3).
2. Edit the Matrix 210™ configuration parameters according to your application requirements.
3. Use the **Calibration Tool** to fine tune the reading performance. See par. 8.4.3.
4. Close the Calibration Tool window and disable the Interactive Mode by pressing the interactive button.
5. Save the new configuration to the reader permanent memory by pressing the Send button.
6. Close the Parameter Setup window and press **Disconnect** on the VisiSet™ menu bar (see Figure 107) or launch **Run** Mode from the VisiSet™ Main menu.

Disconnect exits closing communication between Matrix 210™ and VisiSet™, and causes Matrix 210™ to enter Run Mode. The disconnected reader serial port is now available.

Run command does not close communication between Matrix 210™ and VisiSet™, and causes Matrix 210™ to enter Run Mode. In this case the reader output messages are displayed on the VisiSet™ terminal and the statistics are displayed in the Statistics window (Statistics enabled).

8.4.1 Edit Reader Parameters

The Parameter Setup window displays the configuration parameters grouped in a series of folders. Each parameter can be modified by selecting a different item from the prescribed list in the box, or by typing new values directly into the parameter box.

By right clicking the mouse when positioned over the name of a specific Parameter or Group, a pop-up menu appears allowing you to directly manage that particular parameter or group.

You can **View the Selected Value** for each parameter.

You can **Restore the Default Value** of each parameter or of all the parameters of a group.

Get Properties gives information about the parameter in the form of a pop-up hint that describes the default value and the range/list of valid values.

The **Short Help** gives information about the parameter in the form of a pop-up hint.

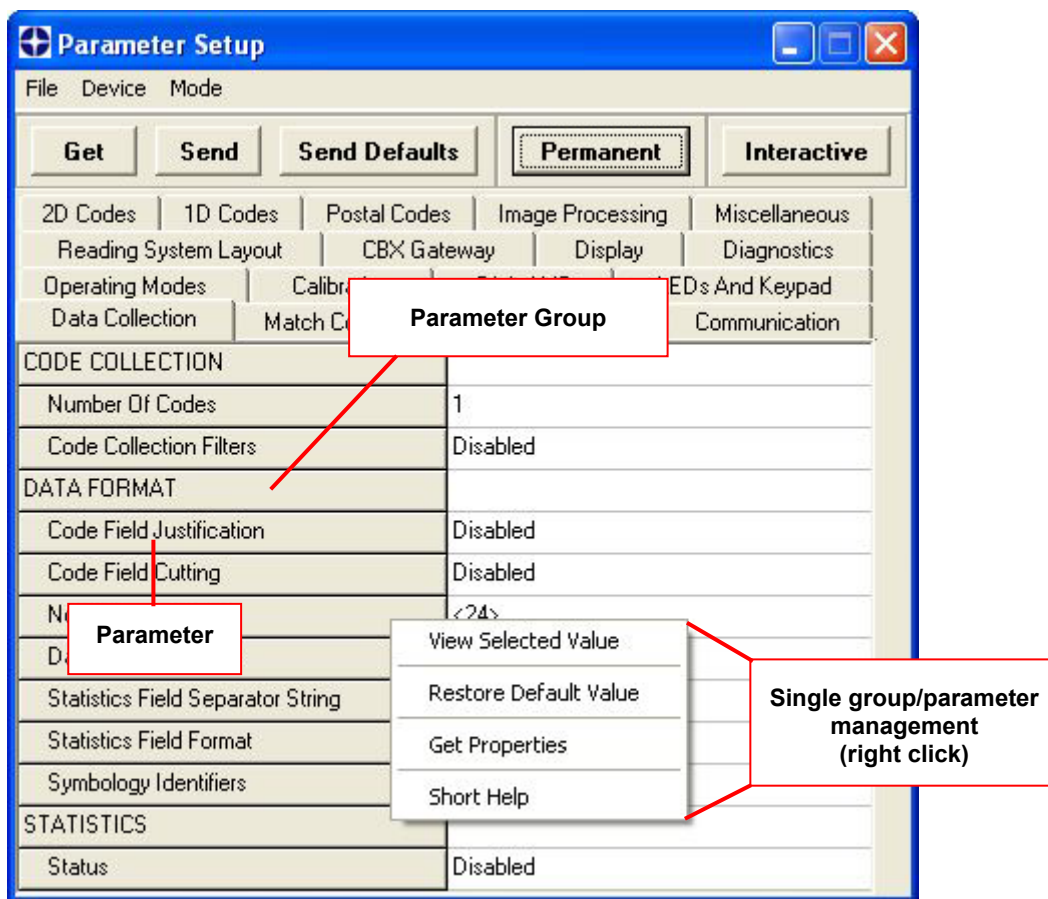


Figure 111 - Editing Parameters

Parameters to verify/modify:

<input type="checkbox"/> Operating Mode	<p>Sets the parameters which customize the reader operating mode starting from three main modes:</p> <p>One Shot: acquires a single image based on the selected value for the Acquisition Trigger and Acquisition Trigger Delay.</p> <p>Continuous: continuously acquires images with a rate up to the maximum allowable frame rate per second for the given sensor depending on the decoding time and the Region of Interest settings.</p> <p>Phase Mode: acquires images during the reading phase depending on the selected value for the Acquisition Trigger and Acquisition Trigger Delay. The Reading Phase-ON and Reading Phase-OFF events mark respectively the beginning and end of the reading phase.</p>
<input type="checkbox"/> Calibration	Calibrates the acquisition parameters to maximize the reading performance (see par. 8.4.3).
<input type="checkbox"/> Communication	<p>Configures the parameters relative to each serial port regarding the transmission, message formatting and string receiving.</p> <p>Any change to the VisiSet™ communication port parameters (baud rate, data bits, etc.) is effective as soon as the reader is disconnected from VisiSet™.</p>
<input type="checkbox"/> Reading System Layout	Allows configuring the device according to the desired layout: Standalone, ID-NET™ or Master/Slave RS232
<input type="checkbox"/> WebSentinel	Enables the Ethernet WebSentinel Agent for communication with the Datalogic WebSentinel™ plant array monitor.
<input type="checkbox"/> Ethernet	For (21x-x1x models) Sets the parameters related to the on-board Ethernet interface and to its communication channels.
<input type="checkbox"/> CBX Gateway	Sets the parameters related to the External Host Interface Module through the CBX500 and to its communication channels.
<input type="checkbox"/> Image Processing	Sets the image processing parameters shared by all available symbologies.
<input type="checkbox"/> 1D & 2D, Postal Codes	Sets the characteristics of the code symbologies to be read.
<input type="checkbox"/> Data Collection	Defines the code-collection parameters and the output message format.
<input type="checkbox"/> Digital I/O	Configures the reader input/output parameters.
<input type="checkbox"/> Match Code	Allows setting a user-defined code and relative parameters to which the read code will be compared (matched).
<input type="checkbox"/> Miscellaneous	Sets the reader name and the saved image format.
<input type="checkbox"/> Symbol Verification	Sets the parameters relative to the various specifications in the Standards which regulate code validation.
<input type="checkbox"/> LEDs And Keypad	Sets the X-PRESS™ LED and Keypad parameters related to their selected Functions: Beeper, Green Spot, Positioning, etc.
<input type="checkbox"/> Display	Sets the Display language and Layout of the BM150 Display when using the CBX500 connection box.
<input type="checkbox"/> Diagnostics	Enables various diagnostic messages, formatting and actions.

When all the configuration parameters are set correctly, save them to the Matrix 210™ reader by pressing the Send button. See Figure 111.

For successive configuration of other readers or for backup/archive copies, it is possible to save the configuration onto your PC by selecting the **Save Configuration File** option from the **File** menu.

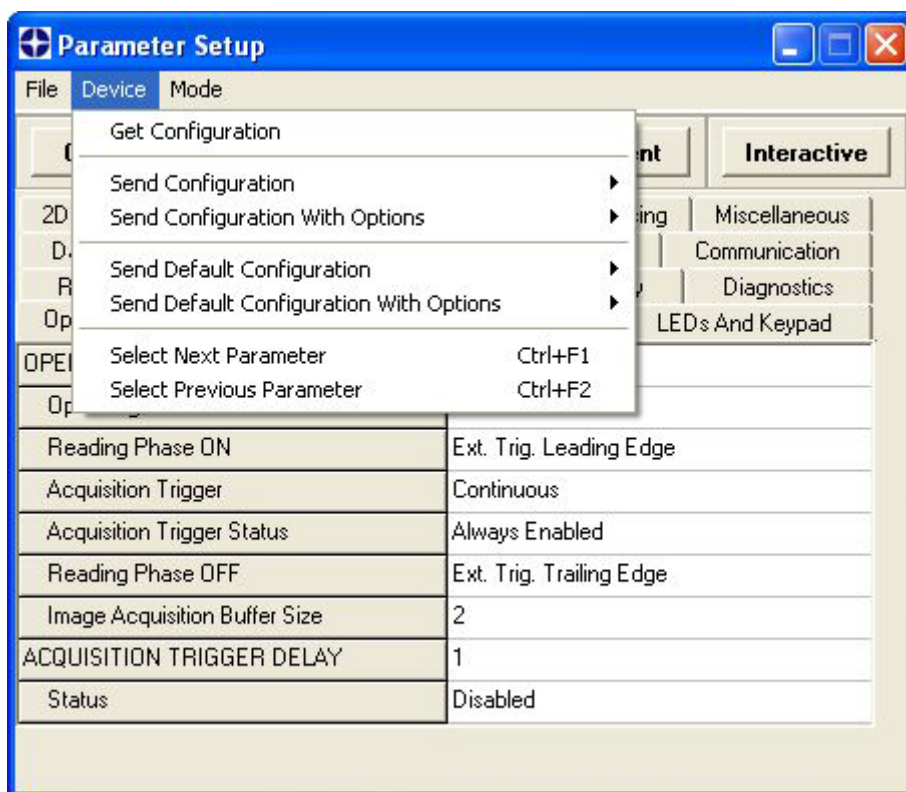
From the **File** menu, you can also **Save Configuration As Text File** for a human readable version.

Load Configuration File (available in the **File** menu) allows you to configure a reader from a previously saved configuration file (.ini).

8.4.2 Send Configuration Options

The device parameters are divided into two main classes, Configuration and Environmental which are effected differently by the Send Configuration and Send Default Configuration commands.

Configuration Parameters regard parameters that are specific to the device. These parameters are influenced by the Send Configuration and Send Default Configuration commands, that is they are overwritten by these commands. The same parameters are modified by the following "Send Configuration with Options" and "Send Default Configuration with Options" dialogs from the Device Menu:



Environmental Parameters regard the device Identity and Position in a Network (ID-NET™, Master/Slave RS232, MUX 32, Ethernet) and are not influenced by the "Send Default Configuration" and "Send Configuration" commands. This allows individual devices to be configured differently without affecting their recognized position in the network.

The following is a list of the Environmental Parameters:

READING SYSTEM LAYOUT

- Device Network Setting
- Number of Slaves

DEVICE NETWORK SETTINGS

- Topology Role
- ID-NET Slave Address
- Network Baud Rate
- Acquisition Trigger String (available only in Multidata configuration)
- Reading Phase ON String (available only in Multidata configuration)
- Reading Phase OFF String (available only in Multidata configuration)
- Header String (available only in Slave Multidata configuration)
- Terminator String (available only in Slave Multidata configuration)
- Link Failure String (available only in Master Synchronized configuration)
- Link Failure Timeout (ms) (available only in Master Synchronized configuration)

EXPECTED SLAVE DEVICES

- Status
- Device Description
- Device Network Name

MAIN PORT

- Communication Protocol
- Multidrop Address

ETHERNET SYSTEM (on-board)

- Status
- DHCP Client
- IP Address
- Subnet Mask
- Gateway Address
- DNS1 Address
- DNS2 Address

HOST INTERFACE

- Host Interface Type

CBX ETHERNET SYSTEM (CBX with Host Interface Modules)

- Status
- DHCP Client
- IP Address
- Subnet Mask
- Gateway Address
- DNS1 Address
- DNS2 Address

PROFIBUS

- Node Address

DEVICENET

- Node Address

ETHERNET-IP

- IP Addressing Mode
- IP Address
- Subnet Mask
- Gateway Address

PROFINET IO

- IP Addressing Mode
- IP Address
- Subnet Mask
- Gateway Address

CANOPEN

- Node Address

CC-LINK

- Node Address

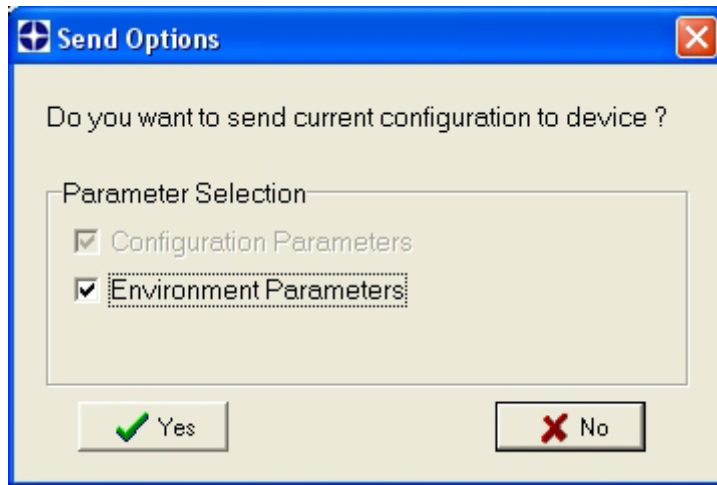
MODBUS TCP

- IP Addressing Mode
- IP Address
- Subnet Mask
- Gateway Address

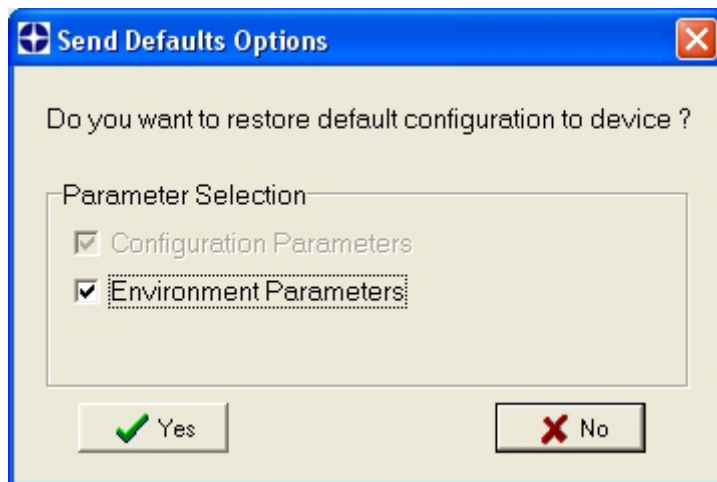
MISCELLANEOUS

- Reader Name
- User Name
- Line Name

For device replacement it is necessary to send the previously saved configuration (both Configuration and Environmental parameters) to the new device. To do this select "Send Configuration with Options" from the Device Menu and check the Environmental Parameters checkbox:



In order to return a device to its absolute default parameters including Environmental parameters, the following "Send Default Configuration with Options" dialog must be used:



8.4.3 Calibration

VisiSet™ provides a Calibration Tool to maximize the reading performance by tuning the acquisition parameters and the time of the delayed triggers.

By selecting the Calibration Tool from the VisiSet™ Main Menu (F), the following window appears together with the Parameter Setup window:

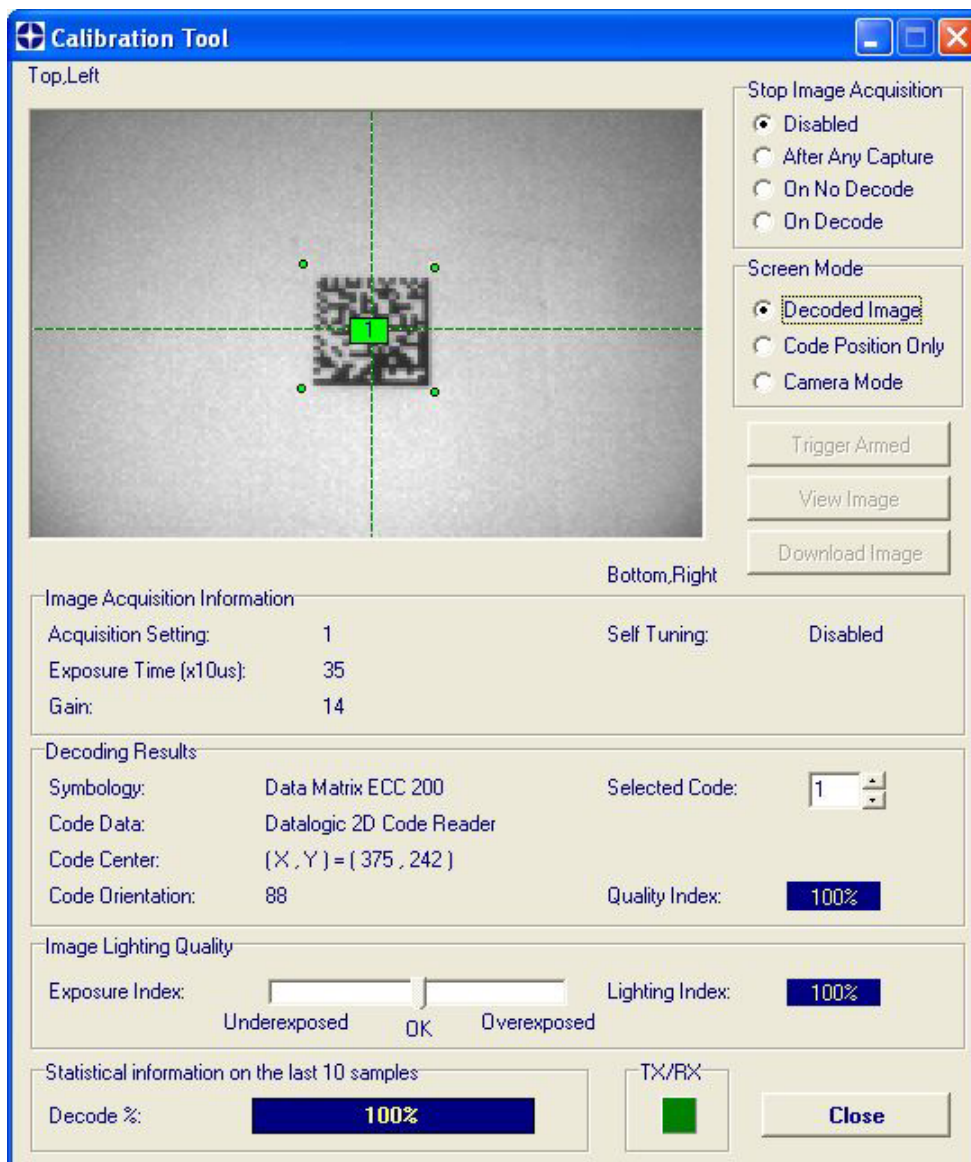


Figure 112 - Calibration OK

This tool provides a "real-time" image display while Matrix 210™ is reading. It also gives immediate results on the performance of the installed Matrix 210™ reader.

If Self Tuning is enabled, the Calibration Tool window indicates the region where the calibration algorithm is performed: it is within the central box delimited by four red dots.

The Parameter Setup window works in Interactive Mode in order to cause each parameter setting to be immediately effective.

**NOTE**

If you want to save the temporary configuration to permanent memory, you must first close the Calibration Tool window. Then, you must disable the Interactive Mode and select the **Permanent Memory** option from the **Send Configuration** item in the Device menu.

The following examples show some of the typical conditions occurring during the installation:

Under-exposure:

To correct this result it is recommended to change the following parameters in their order of appearance:

1. increase the **Exposure Time**
2. increase the **Gain**

**NOTE**

In general, a longer exposure time corresponds to a lighter image but is susceptible to blurring due to code movement. Exposure time is also limited by the Internal Lighting mode parameter. **Longer exposure times can be set if the power strobe level is lowered.**

High gain settings may produce a grainy image that may affect the decoding process.

IMAGE ACQUISITION SETTING	
Status	Enabled
Self Tuning	Disabled
Internal Lighting Mode	High-Power Strobed
Exposure Time (x100us)	10
Gain	10
Gain Increasing	x1
Image Polarity Inversion	Disabled
Region Of Interest: Top	0
Region Of Interest: Bottom	479
Region Of Interest: Left	0
Region Of Interest: Right	751
Image Filter	Disabled

Figure 113 - Example Under Exposure: Too Dark

Over-exposure:

To correct this result it is recommended to change the following parameters in their order of appearance:

1. decrease the **Gain**
2. decrease the **Exposure Time**

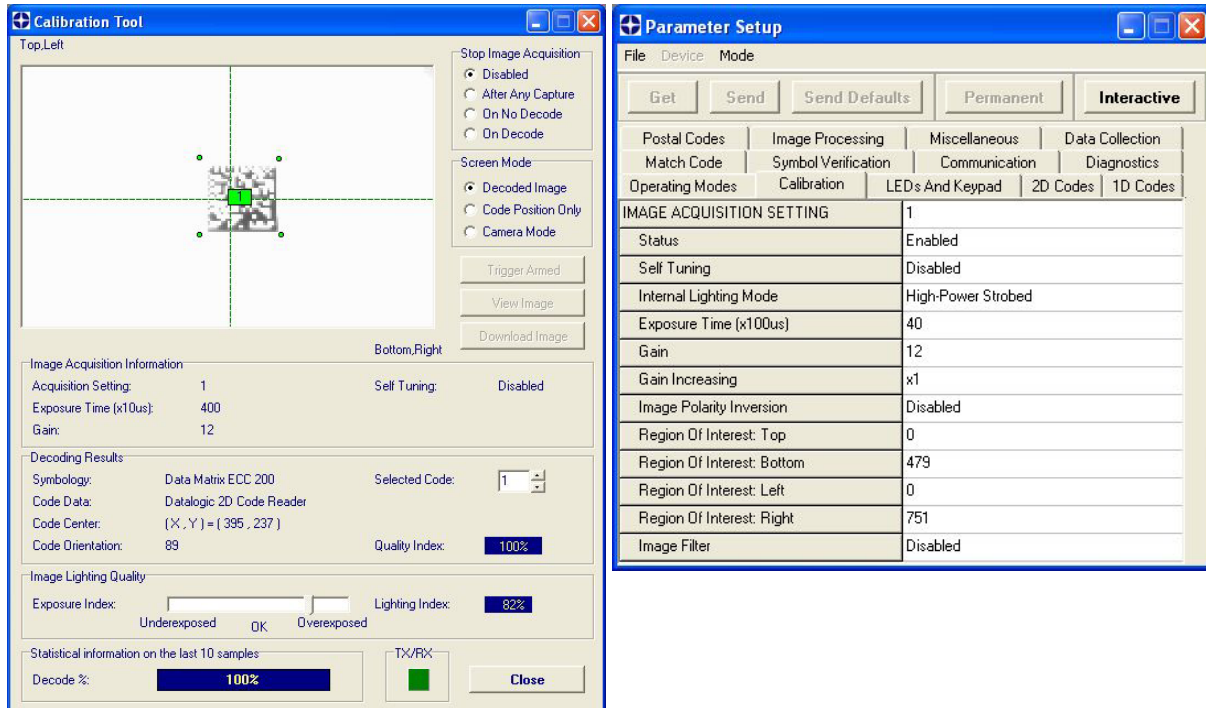


Figure 114 - Example Over Exposure: Too Light

Moving code out of the Field of View:

To correct this result and have the code completely visible in F.O.V., it is possible to follow one or both the procedures listed below:

- reposition the reader
- use the **Acquisition Trigger Delay** by tuning the **Delay Time (x100µs)**

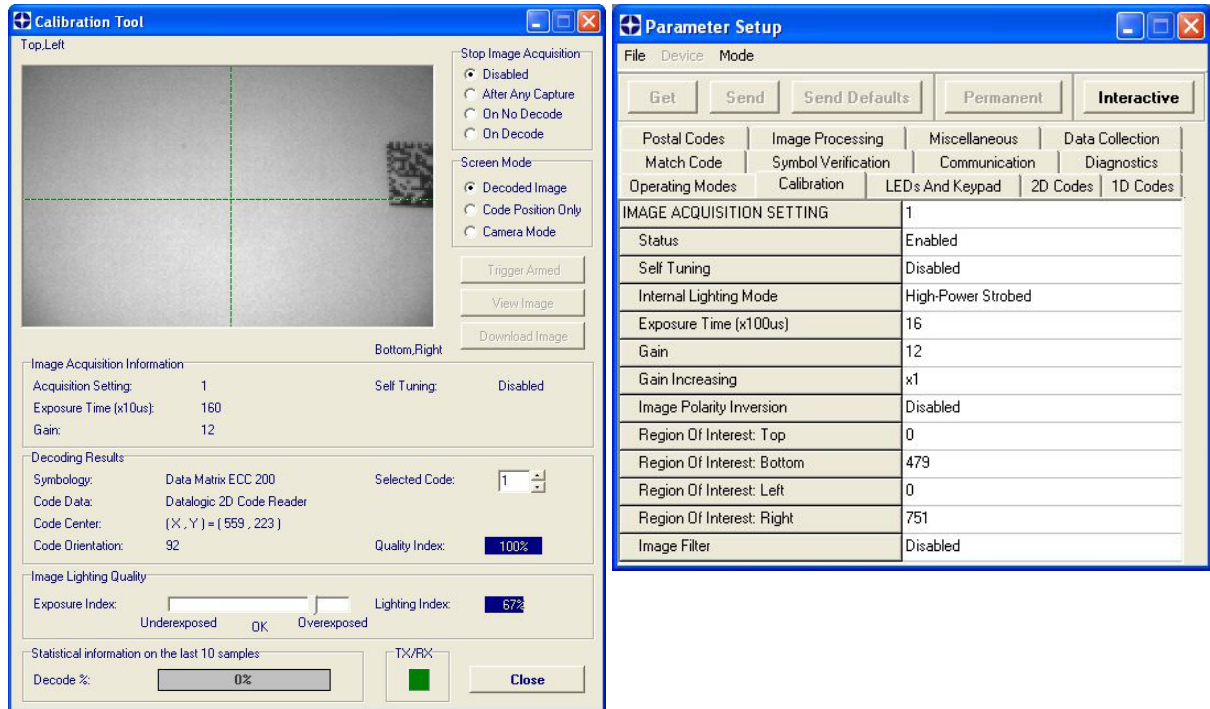


Figure 115 - Example out of FOV

8.4.4 Multi Image Acquisition Settings

When controlled variable conditions occur in the application, Multiple **Image Acquisition Settings** (up to 10), can be defined to create a database of parameter groups that handle each specific application condition. This database of pre-defined settings functions cyclically and therefore automatically improves system flexibility and readiness.

For example, an application may have two stable but different lighting conditions which require different lighting options. One Image Acquisition Setting could enable and use the internal illuminator and a second setting could disable Internal Lighting to use external lighting. These two groups will be used cyclically on each acquisition in order to automatically capture the correctly lighted image.

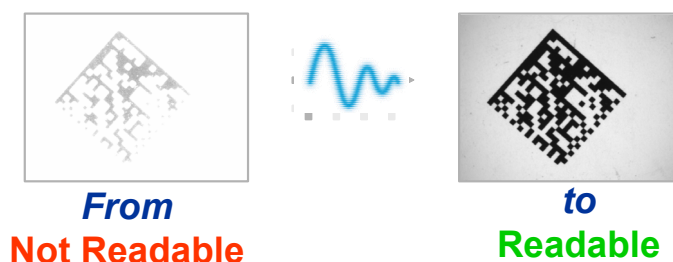
Image Acquisition Settings are found in the VisiSet™ **Calibration** parameter setup menu. By selecting a different number and enabling its **Status** you can define the parameters for a new group.

8.4.5 Run Time Self Tuning (RTST)

Run Time Self-Tuning (RTST) increases Matrix's flexibility in the presence of uncontrolled variable conditions (lighting, code contrast, etc.) by automatically adjusting its acquisition parameters.

Self Tuning Calibration

In the **Calibration** parameter setup menu, the **Self Tuning** parameters manage the Image Acquisition Setting parameters dynamically. Self Tuning provides automatic adjustment in run time of different acquisition parameters (*Exposure Time* and/or *Gain*) for each captured image based on calculations performed on previous acquisitions. These dynamic settings will be used instead of the static settings saved in memory.



For more details see the Matrix 210™ Help On-Line.

Self Tuning Image Processing

In the **Image Processing** parameter setup menu, the **Self Tuning** parameters manage the Image Processing and Symbology related parameters. They perform different processing attempts on the same captured image according to the selected Self Tuning Mode parameter value: (*Symbologies Only*, *Processing Modes Only*, *Decoding Methods Only*, *Code Contrast Levels Only*, *Image Mirroring Only*, or *General Purpose*).

For more details see the Matrix 210™ Help On-Line.

8.4.6 Region Of Interest Windowing

In order to satisfy very high throughput applications, higher frame rates can be achieved using the powerful **Region Of Interest Windowing** parameters in the Calibration parameter setup menu.

Region Of Interest Windowing allows defining a region or window within the reader FOV. The Top, Bottom, Left and Right parameters allow to precisely define the image window to be processed, visualized and saved.

In Matrix 210™ the frame rate is dependent on the number of rows and columns in the defined window.

The smaller the window, the lower the frame period and consequently the higher the frame rate. In general the Image Processing time can be reduced by reducing the window dimensions.

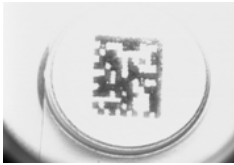
The image displays two software windows. The left window, titled "Calibration Tool", shows a barcode with a red rectangular region of interest (ROI) window. Red arrows point to the top, bottom, left, and right edges of the ROI. Below the image, there are fields for "Image Acquisition Information" (Acquisition Setting: 1, Exposure Time (x100us): 140, Gain: 20) and "Decoding Results" (Symbology: Code 39, Code Data: C39DL, Code Center: (X, Y) = (378 , 242), Code Orientation: 180). The right window, titled "Parameter Setup", shows a table of settings. The "Region Of Interest" parameters are highlighted with a red box:

Region Of Interest: Top	100
Region Of Interest: Bottom	400
Region Of Interest: Left	150
Region Of Interest: Right	600

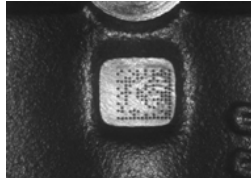
8.4.7 Direct Part Marking Applications

Decoding Method: Direct Marking

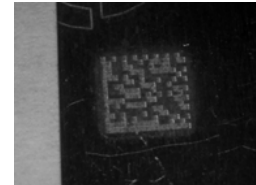
For **DataMatrix** and **QR** code the **Decoding Method** parameter selects the decoding algorithm according to the printing/marking technique used to create the symbol and on the overall printing/marking quality. The **Direct Marking** selection improves the decode rate for low quality Direct Part Mark codes and in general for Direct Part Mark codes with dot peening type module shapes.



Washed out and Axial Distortion



Dot Peening On Scratched Surface



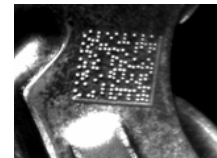
Low Contrast Problem



Background Problems



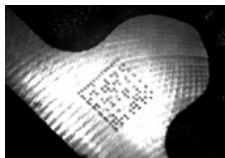
Marked On Curved Shiny Surface



Axial distortion



Half moon effects



Shiny surface, noisy background



Low contrast, noisy background

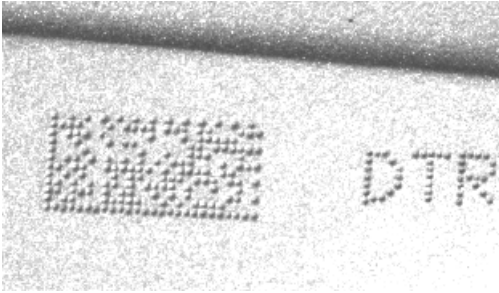
All the previous examples are successfully read selecting the **Direct Marking Decoding Method**.

Image Filter

Sets the filter to be applied to the image before being processed. This parameter can be used to successfully decode particular ink-spread printed codes (ex. direct part mark codes).

A different filter can be applied to each *Image Acquisition Setting*.

The **Erode** Filter enlarges the image dark zones to increase readability.



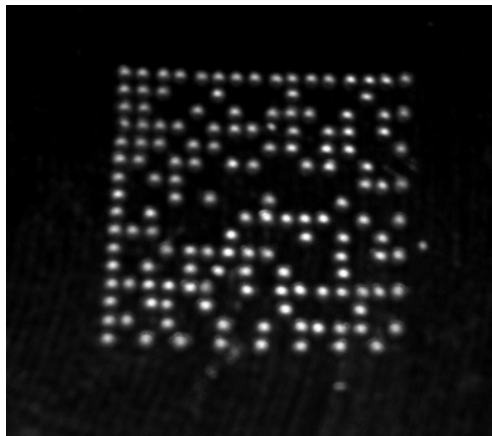
Before - No Read



After - Readable

Erode

The **Dilate** Filter enlarges the image white zones to increase readability.



Before - No Read



After - Readable

Dilate

The **Close** filter eliminates dark areas (defects) in the white zones of the image.

The **Open** filter eliminates white areas (defects) in the dark zones of the image.

8.5 IMAGE CAPTURE AND DECODING

By using the **Capture Image** and **Decode Last Image** functions from the VisiSet™ Main menu, you can get information about the image decodable codes in terms of Symbology, encoded Data, Position and Orientation, Decode Time and Code Quality Assessment Metrics.

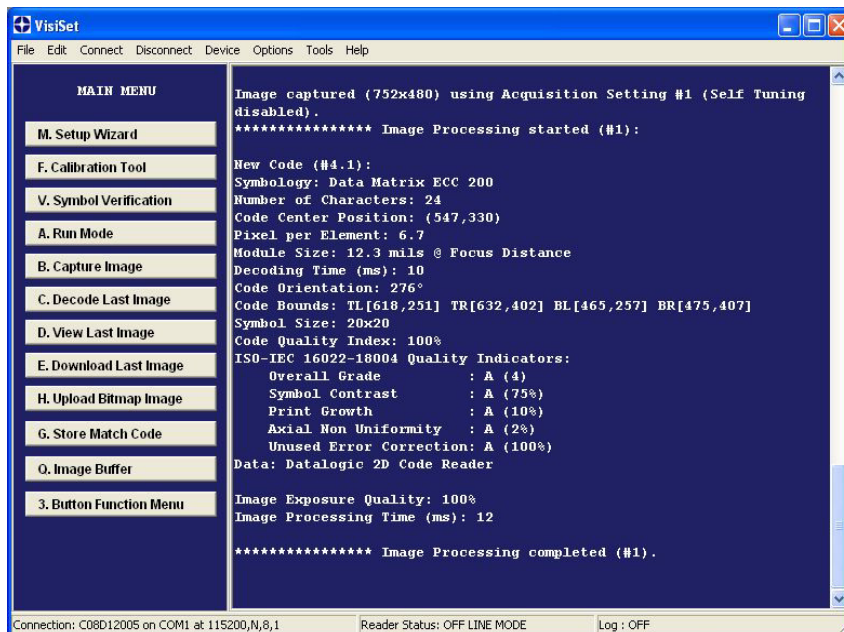


Figure 116 - Capture and Decoding Functions

8.6 STATISTICS

Statistics on the reading performance can be viewed by enabling the Statistics parameter and selecting the **View Statistics** item in the **File** menu. One of three different windows appears depending on the operating mode.

Refer to the VisiSet™ Help On Line for more details.

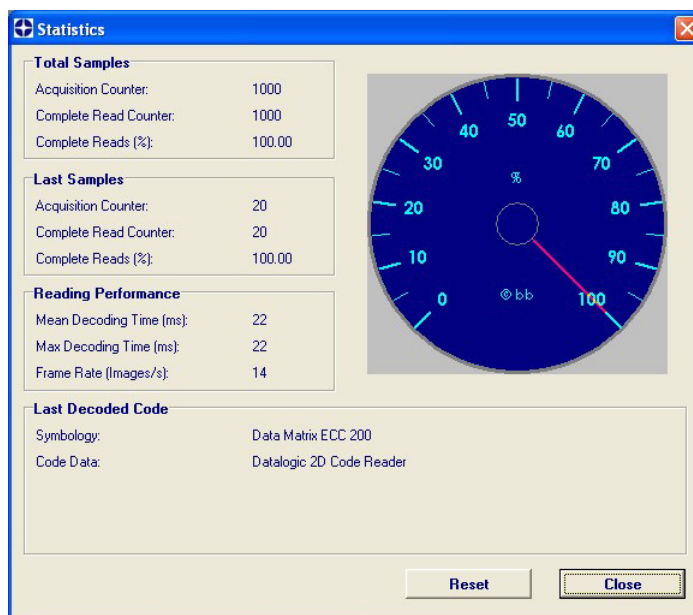


Figure 117 - Code Statistics

9 MAINTENANCE

9.1 CLEANING

Clean the reading window (see Figure A, 1) periodically for continued correct operation of the reader.

Dust, dirt, etc. on the window may alter the reading performance.

Repeat the operation frequently in particularly dirty environments.

Use soft material and alcohol to clean the window and avoid any abrasive substances.

10 TROUBLESHOOTING

10.1 GENERAL GUIDELINES

- When wiring the device, pay careful attention to the signal name (acronym) on the CBX100/500 spring clamp connectors (chp. 4). If you are connecting directly to the Matrix 210™ 25-pin male D-sub connector pay attention to the pin number of the signals (chp. 5).
- If you need information about a certain reader parameter you can refer to the VisiSet™ program help files. Either connect the device and select the parameter you're interested in by pressing the F1 key, or select **Help>Parameters Help** from the command menu.
- If you're unable to fix the problem and you're going to contact your local Datalogic office or Datalogic Partner or ARC, we suggest providing (if possible): Application Program version, Parameter Configuration file, Serial Number and Order Number of your reader. You can get this information while VisiSet™ is connected to the reader: the Application Program version is shown in the Terminal Window; the Parameter Configuration can be saved to an .ini file applying the **File>Save Configuration File** command in the Parameter Setup window; Serial Number and Order Number can be obtained by applying the respective command in the **Tools** menu.

TROUBLESHOOTING GUIDE	
Problem	Suggestion
Power ON: the "POWER" LED is not lit.	<ul style="list-style-type: none"> • Is power connected? • If using a power adapter (like PG6000), is it connected to wall outlet? • If using rail power, does rail have power? • If using CBX, does it have power (check switch and LED)? • Check if you are referring to the 25-pin connector or to the CBX spring clamp connectors. • Measure Voltage either at pin 13 and pin 25 (for 25-pin connector) or at spring clamp Vdc and GND (for CBX).
One Shot or Phase Mode using the Input 1 (External Trigger) or Input 2: the "TRIGGER" LED is not blinking while the External Trigger is switching.	<ul style="list-style-type: none"> • Check if you are referring to the 25-pin connector or to the CBX spring clamp connectors. • Is the sensor connected to the Input 1 or Input 2? • Is power supplied to the photo sensor? • For NPN configuration, is power supplied to one of the two I1 or I2 signals (A or B)? • For PNP configuration, is one of the two I1 or I2 signals grounded (A or B)? • Are the photo sensor LEDS (if any) working correctly? • Is the sensor/reflector system aligned (if present)? • In the Digital I/O folder check the EXTERNAL TRIGGER or INPUT 2\ Debounce Filter parameter setting. • In the Operating Mode folder check the settings for Reading Phase-ON, Acquisition Trigger and Reading Phase-OFF parameters.

TROUBLESHOOTING GUIDE	
Problem	Suggestion
One Shot or Phase Mode using serial trigger source: the "TRIGGER" LED is not blinking.	<ul style="list-style-type: none"> • In the Operating Mode folder check the settings for Reading Phase-ON, Acquisition Trigger and Reading Phase-OFF parameters. • Are the COM port parameters (Baud Rate, Parity, Data Bits, Stop Bits, Handshake) correctly assigned? • In the communication folder, check the settings of Reading Phase-ON String, Acquisition Trigger String and Reading Phase-OFF String parameters. • Is the serial trigger source correctly connected?
Phase Mode: the "TRIGGER" LED is correctly blinking but no image is displayed in VisiSet™ Calibration Tool window.	<ul style="list-style-type: none"> • Is the Phase frequency lower than the maximum frame rate?
Continuous Mode: the "TRIGGER" LED is not blinking.	<ul style="list-style-type: none"> • Verify the correct software configuration settings.
Any Operating Mode: the "TRIGGER" LED is correctly blinking but no result is transmitted by the reader at the end of the reading phase collection.	<ul style="list-style-type: none"> • In the Data Collection folder check the settings for the CODE COLLECTION, DATA FORMAT and STATISTICS parameter groups.
Image not clear:	<ul style="list-style-type: none"> • Verify the Focus procedure
Image focused but not decoded:	<ul style="list-style-type: none"> • Verify the Calibrate Image Density procedure.
Reading: the reader always transmits the No Read Message	<ul style="list-style-type: none"> • Run the Rapid Configuration procedure in chapter 1. • Position the reader as described in par. 3.3 and through the VisiSet™ Calibration Tool: <ul style="list-style-type: none"> – Tune the ACQUISITION TRIGGER DELAY, if the moving code is out of the reader field of view; – Set the Continuous Operating Mode if no external trigger source is available; – Tune the IMAGE ACQUISITION SETTING to improve the code image quality; – Check the parameter setting in Decoding, 2D Codes, 1D Codes, and Postal Codes folders; – View the full resolution code image to check the printing or marking quality.
Communication: reader is not transmitting anything to the host.	<ul style="list-style-type: none"> • Is the serial cable wiring correct? • If using CBX, be sure the RS485 termination switch is OFF. • Are the host serial port settings the same as the reader serial port settings? • In VisiSet™ Digital I/O folder, "COM" LED can be configured to indicate MAIN COM port TX or MAIN COM port RX.

TROUBLESHOOTING GUIDE	
Problem	Suggestion
Communication: data transferred to the host are incorrect, corrupted or incomplete.	<ul style="list-style-type: none"> • Are the host serial port settings the same as the reader serial port settings? • In VisiSet™ Communication folder check the settings of Header and Terminator String parameters. • In VisiSet™ Data Collection folder, check the settings of DATA FORMAT parameter group.
How do I obtain my reader Serial Number?	<ul style="list-style-type: none"> • The reader Serial Number consists of 9 characters: one letter, 2 numbers, another letter followed by 5 numbers. • The reader Serial Number is printed on a label that is affixed on the bottom case near the reading window. • The Serial Number can also be obtained by selecting Tools/Get Reader Serial Number from the command menu in VisiSet™. A dedicated window will appear.
How do I obtain my reader Order Number?	<ul style="list-style-type: none"> • The reader Order Number consists of 9 numbers. • The reader Order Number can be obtained by selecting the Tools/Get Reader Order Number from the command menu in VisiSet™. A dedicated window will appear.

11 TECHNICAL FEATURES

ELECTRICAL FEATURES	Matrix 210 21x-x0x	Matrix 210 21x-x1x	Matrix 210 21x-x2x
Power Supply Voltage Consumption	10 to 30 Vdc 0.35 to 0.13 A, 3.9 W max. 0.16 A @ 24 V.	10 to 30 Vdc 0.4 to 0.15 A, 4.5 W max 0.18 A @ 24 V	5 Vdc 0.5 A, 2.5 W max
Communication Interfaces Main - RS232 - RS485 full-duplex - RS485 half-duplex Auxiliary - RS232 ID-NET™ Ethernet	2400 to 115200 bit/s 2400 to 115200 bit/s 2400 to 115200 bit/s 2400 to 115200 bit/s Up to 1MBaud	2400 to 115200 bit/s 2400 to 115200 bit/s 2400 to 115200 bit/s 2400 to 115200 bit/s Up to 1MBaud 10/100 Mbit/s	USB 2.0 up to 921600 bit/s
Inputs Input 1 (External Trigger) and Input 2	Opto-coupled and polarity insensitive	Opto-coupled and polarity insensitive	
Max. Voltage	30 Vdc	30 Vdc	
Max. Input Current	10 mA	10 mA	
Outputs Output 1 and Output 2	Opto-coupled	Opto-coupled	
V _{Out} (I _{Load} = 0 mA) Max.	30 Vdc	30 Vdc	
V _{Out} (I _{Load} = 10 mA) Max.	1.8 Vdc	1.8 Vdc	
P _D = V _{Out} × I _{Load} Max.	170 mW	170 mW	
OPTICAL FEATURES			
Image Sensor	CMOS sensor with Global Shutter		
Image Format	WVGA (752x480)		
Frame Rate	up to 60 frames/sec. @ full window size		
Pitch	± 35°		
Tilt	0° - 360°		
Lighting System	Internal Illuminator		
LED Safety Class	Class 1 to EN60825-1		
ENVIRONMENTAL FEATURES			
Operating Temperature *	0 to 50 °C (32 to 122 °F)		
Storage Temperature	-20 to 70 °C (-4 to 158 °F)		
Max. Humidity	90% non condensing		
Vibration Resistance EN 60068-2-6	14 mm @ 2 to 10 Hz; 1.5 mm @ 13 to 55 Hz; 2 g @ 70 to 200 Hz; 2 hours on each axis		
Bump Resistance EN 60068-2-29	30g; 6 ms; 5000 shocks on each axis		
Shock Resistance EN 60068-2-27	30g; 11 ms; 3 shocks on each axis		
Protection Class EN 60529	IP65		
PHYSICAL FEATURES		Matrix 210 21x-1xx models	Matrix 210 21x-0xx models
Dimensions	50 x 25 x 45 mm (1.97 x 0.98 x 1.77 in)	54 x 32 x 45 mm (2.13 x 1.26 x 1.77 in)	
Weight	190 g. (6.7 oz.) with cable		
Material	Aluminium alloy		

* high ambient temperature applications should use metal mounting bracket for heat dissipation

SOFTWARE FEATURES		
Readable Code Symbologies		
1-D and stacked	2-D	POSTAL
<ul style="list-style-type: none"> • PDF417 Standard and Micro PDF417 • Code 128 (GS1-128) • Code 39 (Standard and Full ASCII) • Code 32 • MSI • Standard 2 of 5 • Matrix 2 of 5 • Interleaved 2 of 5 • Codabar • Code 93 • Pharmacode • EAN-8/13 - UPC-A/E (including Addon 2 and Addon 5) • GS1 DataBar Family • Composite Symbologies 	<ul style="list-style-type: none"> • Data Matrix ECC 200 (Standard, GS1 and Direct Marking) • QR Code (Standard and Direct Marking) • Micro QR Code • MAXICODE • Aztec Code • Microglyph (this symbology requires an activation procedure – contact your local Datalogic Automation distributor for details) 	<ul style="list-style-type: none"> • Australia Post • Royal Mail 4 State Customer • Kix Code • Japan Post • PLANET • POSTNET • POSTNET (+BB) • Intelligent Mail • Swedish Post
Operating Mode	ONE SHOT, CONTINUOUS, PHASE MODE	
Configuration Methods	X-PRESS™ Human Machine Interface Windows-based SW (VisiSet™) via serial, Ethernet or USB link Serial Host Mode Programming sequences	
Parameter Storage	Permanent memory (Flash)	
CODE QUALITY VERIFICATION		
Standard	Supported Symbologies	
ISO/IEC 16022	Data Matrix ECC 200	
ISO/IEC 18004	QR Code	
ISO/IEC 15415	Data Matrix ECC 200, QR Code	
ISO/IEC 15416	Code 128, Code 39, Interleaved 2 of 5, Codabar, Code 93, EAN-8/13, UPC-A/E	
AS9132A	Data Matrix ECC 200	
AIM DPM	Data Matrix ECC 200, QR Code	
USER INTERFACE		
LED Indicators	Power, Ready, Good, Trigger, Com, Status, (Ethernet Network), (Green Spot)	
Other	Keypad Button (configurable via VisiSet™); Beeper	

GLOSSARY

AIM

(Association for Automatic Identification and Mobility): AIM Global is the international trade association representing automatic identification and mobility technology solution providers.

AIM DPM Quality Guideline

Standard applicable to the symbol quality assessment of direct part marking (DPM) performed in using two-dimensional bar code symbols. It defines modifications to the measurement and grading of several symbol quality parameters.

AS9132

Standard defining uniform quality and technical requirements for direct part marking (DPM) using Data Matrix symbologies.

Barcodes (1D Codes)

A pattern of variable-width bars and spaces which represents numeric or alphanumeric data in machine-readable form. The general format of a barcode symbol consists of a leading margin, start character, data or message character, check character (if any), stop character, and trailing margin. Within this framework, each recognizable symbology uses its own unique format.

BIOS

Basic Input Output System. A collection of ROM-based code with a standard API used to interface with standard PC hardware.

Bit

Binary digit. One bit is the basic unit of binary information. Generally, eight consecutive bits compose one byte of data. The pattern of 0 and 1 values within the byte determines its meaning.

Bits per Second (bps)

Number of bits transmitted or received per second.

Byte

On an addressable boundary, eight adjacent binary digits (0 and 1) combined in a pattern to represent a specific character or numeric value. Bits are numbered from the right, 0 through 7, with bit 0 the low-order bit. One byte in memory can be used to store one ASCII character.

Composite Symbologies

Consist of a linear component, which encodes the item's primary data, and an adjacent 2D composite component, which encodes supplementary data to the linear component.

Dark Field Illumination

Lighting of surfaces at low angles used to avoid direct reflection of the light in the reader's lens.

Decode

To recognize a barcode symbology (e.g., Codabar, Code 128, Code 3 of 9, UPC/EAN, etc.) and analyze the content of the barcode scanned.

Depth of Field

The difference between the minimum and the maximum distance of the object in the field of view that appears to be in focus.

Diffused Illumination

Distributed soft lighting from a wide variety of angles used to eliminate shadows and direct reflection effects from highly reflective surfaces.

Direct Part Mark (DPM)

A symbol marked on an object using specific techniques like dot peening, laser etching, chemical etching, etc.

EEPROM

Electrically Erasable Programmable Read-Only Memory. An on-board non-volatile memory chip.

Element

The basic unit of data encoding in a 1D or 2D symbol. A single bar, space, cell, dot.

Exposure Time

For digital cameras based on image sensors equipped with an electronic shutter, it defines the time during which the image will be exposed to the sensor to be acquired.

Flash

Non-volatile memory for storing application and configuration files.

Host

A computer that serves other terminals in a network, providing services such as network control, database access, special programs, supervisory programs, or programming languages.

Image Processing

Any form of information processing for which the input is an image and the output is for instance a set of features of the image.

Image Resolution

The number of rows and columns of pixels in an image. The total number of pixels of an image sensor.

Image Sensor

Device converting a visual image to an electric signal. It is usually an array of CCD (Charge Coupled Devices) or CMOS (Complementary Metal Oxide Semiconductor) pixel sensors.

IEC

(International Electrotechnical Commission): Global organization that publishes international standards for electrical, electronic, and other technologies.

IP Address

The terminal's network address. Networks use IP addresses to determine where to send data that is being transmitted over a network. An IP address is a 32-bit number referred to as a series of 8-bit numbers in decimal dot notation (e.g., 130.24.34.03). The highest 8-bit number you can use is 254.

ISO

(International Organization for Standardization): A network of the national standards institutes of several countries producing world-wide industrial and commercial standards.

LED (Light Emitting Diode)

A low power electronic light source commonly used as an indicator light. It uses less power than an incandescent light bulb but more than a Liquid Crystal Display (LCD).

LED Illuminator

LED technology used as an extended lighting source in which extra optics added to the chip allow it to emit a complex radiated light pattern.

Matrix Symbologies (2D Codes)

An arrangement of regular polygon shaped cells where the center-to-center distance of adjacent elements is uniform. Matrix symbols may include recognition patterns which do not follow the same rules as the other elements within the symbol.

Multidrop

A communication protocol for connecting two or more readers in a network with a concentrator (or controller) and characterized by the use of individual device addresses.

Multi-row (or Stacked) Symbologies

Symbologies where a long symbol is broken into sections and stacked one upon another similar to sentences in a paragraph.

RAM

Random Access Memory. Data in RAM can be accessed in random order, and quickly written and read.

Symbol Verification

The act of processing a code to determine whether or not it meets specific requirements.

Transmission Control Protocol/Internet Protocol (TCP/IP)

A suite of standard network protocols that were originally used in UNIX environments but are now used in many others. The TCP governs sequenced data; the IP governs packet forwarding. TCP/IP is the primary protocol that defines the Internet.

INDEX

- 2**
- 25-Pin Connector, 58
- 25-Pin Direct Connections, 58
- A**
- Accessories, 32
- Application Examples, 32
- Auxiliary RS232 Interface, 51, 70
- C**
- Calibration, 108
- CBX Electrical Connections, 40
- Compliance, vii
- E**
- Edit Reader Parameters, 102
- Ethernet Connection, 91
- Ethernet Interface, 71
- G**
- General View, x
- Glossary, 123
- H**
- Handling, viii
- I**
- ID-NET™, 83
- ID-NET™ Cables, 46, 65
- ID-NET™ Interface, 46, 65
- ID-NET™ Network Termination, 51, 70
- ID-NET™ Response Time, 47, 66
- Image Capture and Decoding, 116
- Inputs, 52, 72
- Installing VisiSet™, 97
- L**
- Layouts, 78
- M**
- M12-D 4-Pin Connector (Ethernet), 59
- Main Serial Interface, 41, 60
- Maintenance, 117
- Mechanical Dimensions, 36
- Model Description, 31
- Mounting and Positioning Matrix 210™, 38
- Multiplexer, 90
- O**
- Outputs, 55, 75
- P**
- Package Contents, 35
- Pass-Through, 81
- Patents, vi
- Point-to-Point, 78
- Power Supply, vii, 41, 60
- R**
- Rapid Configuration, 1
- Reader Configuration, 101
- Reading Features, 94
- References, vi
- RS232 Interface, 42, 61
- RS232 Master/Slave, 89
- RS485 Full-Duplex, 43, 62
- RS485 Half-Duplex, 44, 63
- S**
- Service and Support, vi
- Software Configuration, 97
- Statistics, 116
- T**
- Technical Features, 121
- Troubleshooting, 118
- U**
- USB Connection, 93
- V**
- VisiSet™ Options, 99

**Datalogic Automation S.r.l.**

Via Lavino 265
40050 Monte San Pietro
Bologna - Italy

www.automation.datalogic.com

declares that the

MATRIX 210 ; Compact 2D Imager

and all its models

are in conformity with the requirements of the European Council Directives listed below:

2004 / 108 / EC EMC Directive

This Declaration is based upon compliance of the products to the following standards:

EN 55022 (CLASS A ITE), SEPTEMBER 1998:

INFORMATION TECHNOLOGY EQUIPMENT
RADIO DISTURBANCE CHARACTERISTICS
LIMITS AND METHODS OF MEASUREMENTS

EN 61000-6-2, SEPTEMBER 2005:

ELECTROMAGNETIC COMPATIBILITY (EMC)
PART 6-2: GENERIC STANDARDS - IMMUNITY FOR INDUSTRIAL
ENVIRONMENTS

Monte San Pietro, February 25th, 2011

Lorenzo Girotti
Product & Process Quality Manager

